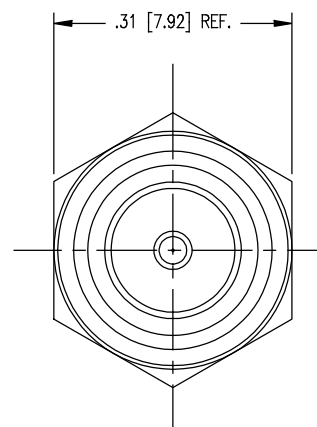
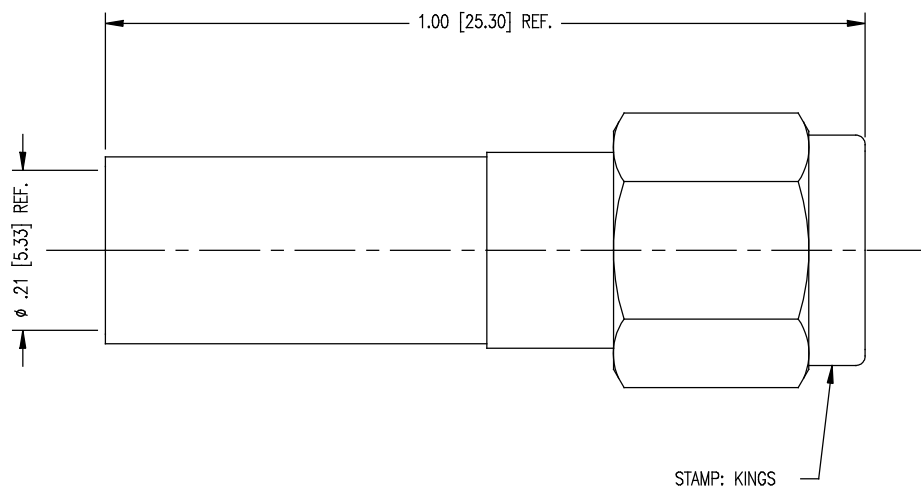


DASH NO.	M CODE	MADE FROM
----------	--------	-----------

GSD

875-116-9

REVISIONS	
ISSUE	CHANGES



UNRELEASED

NOTES:

- FOR USE WITH BELDEN RF 200 CABLE.
- FOR CABLING INSTRUCTIONS SEE CP-493.
- FOR CRIMPING USE DIE KTH-2027.
- INTERFACE PER MIL-STD-348, FIG. 310-1.
- MARK PACKAGE: KINGS E-20422 XXXX (DATE CODE)
- MATERIALS:
  - INSULATOR-TEFLON, ASTM-D4894
  - GASKET-SILICONE RUBBER, A-A-59588
  - K-GRIP SLEEVE-COMMERCIAL BRONZE, ASTM-B140
  - CENTER CONTACT-BRASS, ASTM-B16
  - COUPLING NUT, STAINLESS STEEL, 303 (SAE-AMS-QQ-S-763)
  - ALL OTHER METAL PARTS-BER. COP., ASTM-B196
- FINISHES:
  - CRIMP SLEEVE, KINGS TARNISH RESISTANT FINISH (TR-5)
  - ALL OTHER METAL PARTS, GOLD, ASTM-B488
- ELECTRICAL CHARACTERISTICS:
  - NOMINAL IMPEDANCE-50 OHMS
  - FREQUENCY RANGE-DC TO 12.4 GHz
  - VOLTAGE RATING- 500 VOLTS RMS

SCALE 6:1

APPROX SURFACE AREA

USED ON

REF: E-20422, EQR 933

PLUG, SMA

DRAWN DRK DATE 08/07/06

DESIGN DRK DATE 08/07/06

APPR. DATE

**KINGS**  
ELECTRONICS CO., INC.  
ROCK HILL, SOUTH CAROLINA 29730

GSD

875-116-9