

**PLEASE CHECK WWW.MOLEX.COM FOR LATEST PART INFORMATION**

**Part Number:** [0780011200](#)  
**Status:** **Active**  
**Overview:** [MiniDIMM](#)  
**Description:** 0.60mm Pitch miniDIMM Socket, Surface Mount, Reverse Right Angle, with Off-White Latches, 1.8V Voltage Key, 200 Circuits, Lead-Free

**Documents:**

[3D Model](#) [Application Specification AS-87782-001 \(PDF\)](#)  
[Drawing \(PDF\)](#) [RoHS Certificate of Compliance \(PDF\)](#)  
[Product Specification PS-78001-001 \(PDF\)](#)

**Agency Certification**

CSA LR19980  
 UL E29179

**General**

Product Family Memory Module Sockets  
 Series [78001](#)  
 Comments <LI>Latches in Off-White Color  
 Component Type Socket  
 Electrical Model Yes  
 JEDEC Outline MO-258  
 Overview [MiniDIMM](#)  
 Product Name MiniDIMM  
 UPC 822350071734

**Physical**

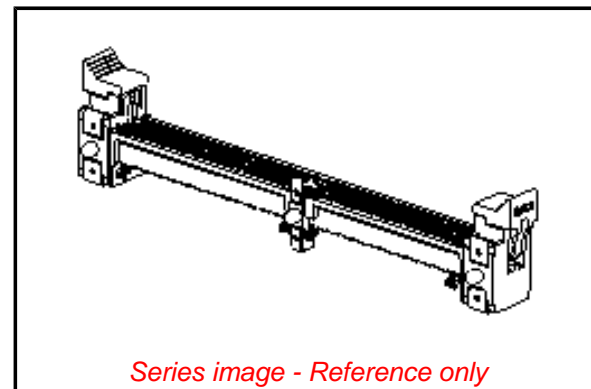
Circuits (Loaded) 200  
 Color - Resin Black, Natural (White)  
 Durability (mating cycles max) 25  
 Entry Angle 90° Angle (Side Entry)  
 Flammability 94V-0  
 Keying to Mating Part Yes  
 Material - Metal Brass, Phosphor Bronze  
 Material - Plating Mating Gold  
 Material - Plating Termination Tin  
 Material - Resin High Temperature Thermoplastic  
 Net Weight 9.089/g  
 PCB Locator Yes  
 PCB Retention Yes  
 Packaging Type Tray  
 Pitch - Mating Interface 0.60mm  
 Plating min - Mating 0.762µm  
 Plating min - Termination 3.810µm  
 Temperature Range - Operating -55°C to +85°C  
 Termination Interface: Style Surface Mount

**Electrical**

Current - Maximum per Contact 1.0A  
 Voltage - Maximum 30V  
 Voltage Key 1.8V

**Solder Process Data**

Duration at Max. Process Temperature (seconds) 005  
 Lead-freeProcess Capability REFLOW  
 Max. Cycles at Max. Process Temperature 002  
 Process Temperature max. C 260



*Series image - Reference only*

**EU ELV**

**Not Relevant**

**EU RoHS**

**Compliant**

**REACH SVHC**

Contains SVHC(2015  
 June 15): No

**Halogen-Free**

**Status**

**Not Low-Halogen**

**Need more information on product environmental compliance?**

Email [productcompliance@molex.com](mailto:productcompliance@molex.com)  
 Please visit the [Contact Us](#) section for any non-product compliance questions.

China ROHS

ELV

Green Image

Not Relevant

**Search Parts in this Series**

[78001 Series](#)

**Mates With**

JEDEC MO-258 Modules

**Material Info**

**Reference - Drawing Numbers**

Application Specification	AS-87782-001
Electrical Model Document	EE-78001-001
Product Specification	PS-78001-001
S-Parameter Model	SP-78001-001
Sales Drawing	SD-78001-003

This document was generated on 08/27/2015

**PLEASE CHECK [WWW.MOLEX.COM](http://WWW.MOLEX.COM) FOR LATEST PART INFORMATION**