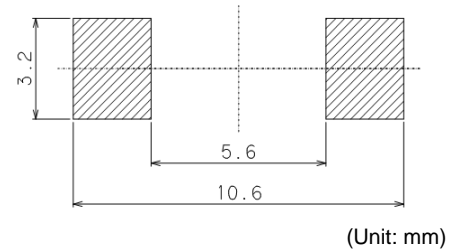
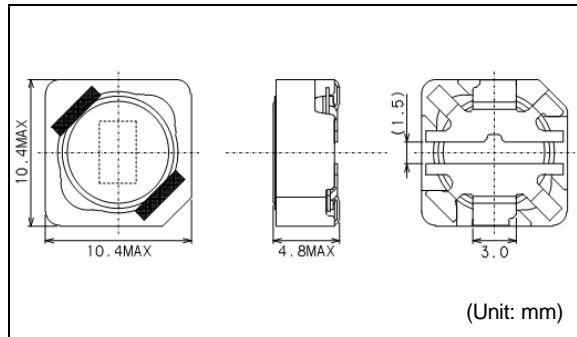


MBH10145C

Inductance Range: 3.3~1500μH


Recommended patterns
 推奨パターン図

FEATURES 特長

- AEC-Q200 Compliant.
- 10.4× 10.4mm Max. square, 4.8mm Max. height.
- Magnetically shielded.
- AEC-Q200準拠
- 10.4 × 10.4mm角Max. 高さ4.8mm Max.
- 閉磁路構造

STANDARD PART NUMBERS 標準品一覧
TYPE MBH10145C (Quantity/reel; 500 PCS)

品番	インダクタンス ⁽¹⁾	許容差	直流抵抗 ⁽²⁾	直流重畳許容電流 ⁽³⁾	温度上昇許容電流 ⁽³⁾
Part Number	Inductance ⁽¹⁾ (μH)	Tolerance (%)	DC Resistance ⁽²⁾ (mΩ) Tolerance ±20%	Inductance Decrease Current ⁽³⁾ (A) Max.(Typ.) ΔL/L=10%	Temperature Rise Current ⁽³⁾ ΔT=40°C (A) Max. (Typ.)
* MBH10145C-3R3NA=P3	3.3	±30	17	4.9 (7.0)	4.3 (5.4)
MBH10145C-5R6NA=P3	5.6	±30	22	4.1 (5.6)	3.7 (4.7)
MBH10145C-100MA=P3	10	±20	37	3.1 (4.2)	3.3 (3.9)
MBH10145C-150MA=P3	15	±20	48	2.6 (3.5)	2.5 (3.0)
MBH10145C-220MA=P3	22	±20	60	2.2 (2.9)	2.3 (2.8)
MBH10145C-330MA=P3	33	±20	82	1.7 (2.4)	2.1 (2.5)
MBH10145C-470MA=P3	47	±20	100	1.6 (2.1)	1.7 (2.1)
MBH10145C-680MA=P3	68	±20	140	1.2 (1.6)	1.5 (1.8)
* MBH10145C-101MA=P3	100	±20	200	0.98 (1.4)	1.2 (1.5)
MBH10145C-151MA=P3	150	±20	350	0.75 (1.1)	0.93 (1.1)
MBH10145C-221MA=P3	220	±20	470	0.68 (0.90)	0.85 (1.0)
* MBH10145C-331MA=P3	330	±20	680	0.56 (0.79)	0.73 (0.86)
* MBH10145C-471MA=P3	470	±20	1030	0.45 (0.59)	0.56 (0.67)
* MBH10145C-681MA=P3	680	±20	1600	0.38 (0.51)	0.48 (0.57)
* MBH10145C-102MA=P3	1000	±20	2800	0.30 (0.42)	0.35 (0.42)
* MBH10145C-152MA=P3	1500	±20	3400	0.26 (0.34)	0.33 (0.39)

* Under development

- 1) Inductance is measured with a LCR meter 4284A(Agilent Technologies) or equivalent. Test frequency at 100kHz
- 2) DC resistance is measured with 34420A (Agilent Technologies) or 3541(HIOKI). (Reference ambient temperature 25°C)
- 3) Maximum allowable DC current is that which causes a 10% inductance reduction from the initial value, coil temperature to rise by 40°C, whichever is smaller. (Reference ambient temperature 25°C)

- (1) インダクタンスはLCRメータ4284A(Agilent Technologies)または同等品により測定する。測定周波数は100kHz。
- (2) 直流抵抗は測定器34420A (Agilent Technologies) または3541 (HIOKI) と同等品により測定する。(周囲温度25°C)
- (3) 最大許容電流は、直流重畳電流を流した時インダクタンスの値が初期値より10%減少する直流電流値、または直流電流により、コイルの温度が40°C上昇の何れか小さい値。(周囲温度25°C)