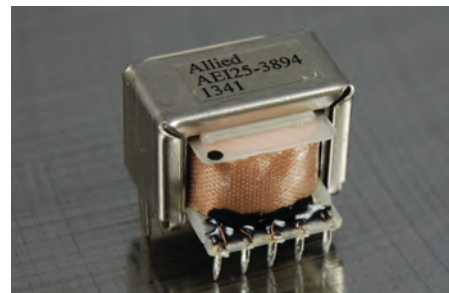




Line Output Transformer

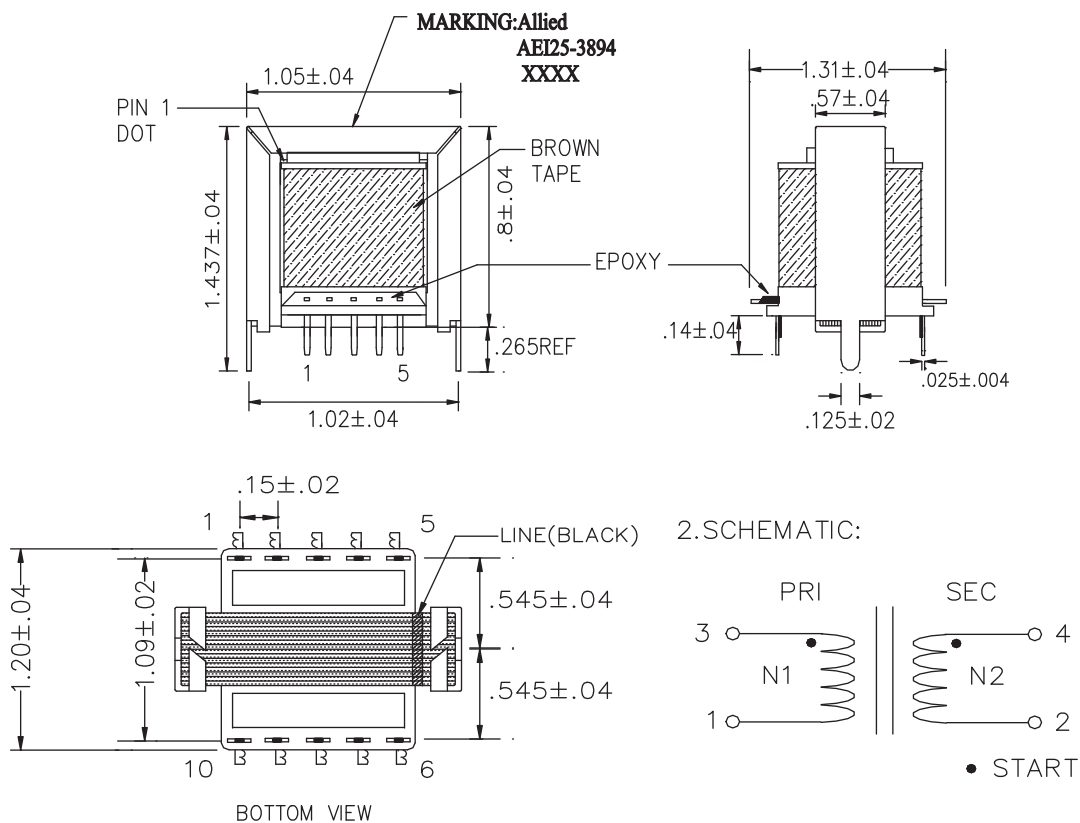
AEI25-3894

- Input Impedence 3 - 1 (5 KOhm) 4 - 2(10 KOhm)
- Output Impedence 4 - 2 (178 Ohm)
- DCR 3 - 1 (46 Ohm) 4 - 2 (164 Ohm)
- Turns Ratio 3 - 1 and 4 - 2 1:1
- Hi Pot Test 250V

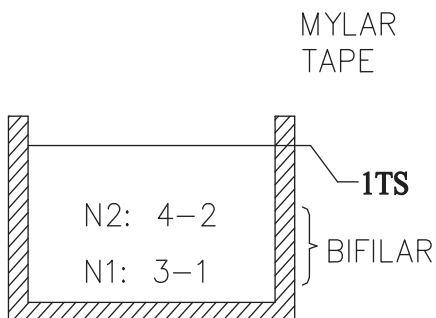


MECHANICAL

DIMENSION:UNIT: inch



WINDING:



NOTE:

1. PIN 1 DOT (BLACK).
2. PIN 5~6 BOTTOM SIDE DOT (BLACK LINE).
3. PIN 1~5 TOP BAND CILP.

**ELECTRICAL SPECIFICATIONS (all test @ 25°C)**

- 4-1. INPUT IMPEDANCE (Z_i) : 1KHz/1V (HP-4284A)
- 3 - 1 : 5 KOHM MIN. (TYP 9.2 KOHM)
- 4 - 2 : 10 KOHM LOAD.
- 4-2. OUTPUT IMPEDANCE (Z_o) : 1KHz/1V (HP-4284A)
- 4 - 2 : 178 OHM REF (SHORTED PIN 3,4)
- 4-3. DCR: CH-502A @25°C
- 3 - 1 : 46 Ω REF.
- 4 - 2 : 164 Ω REF.
- 4-4. CAPACITANCE : 1KHz/1V (HP-4284A)
- WINDING TO WINDING : 12.9 nF REF
- WINDING TO BAND : 35 pF REF
- 4-5. TURNS RATIO : @20KHz/1V
- 3 - 1 : 4 - 2 = 1 : 1 (0.999~1.001 :1)
- 4-6. HI-POT TEST :
- WINDING TO WINDING : AC 250V 3mA FOR 1 MIN.
- WINDING TO BAND : AC 500V 3mA FOR 1 MIN.
- 4-7. GAP : CORE NO GAP.