

**isc N-Channel MOSFET Transistor**

**2SK1507**

**DESCRIPTION**

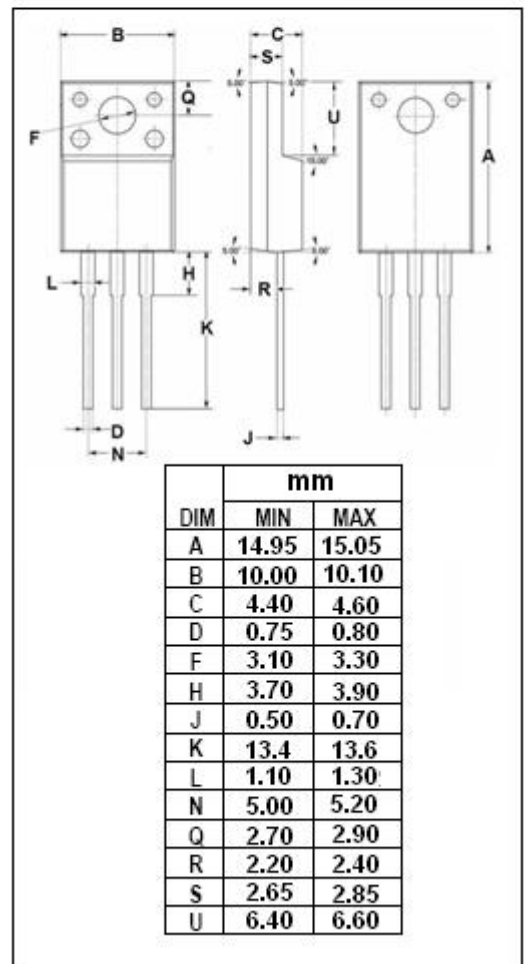
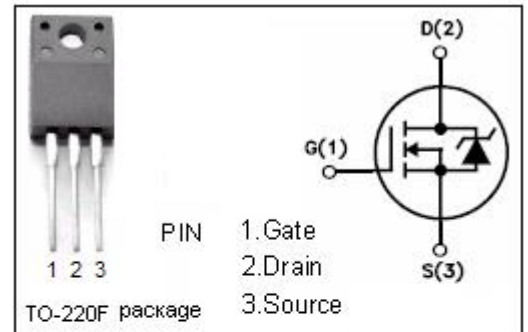
- Drain Current  $-I_D=9A @ T_C=25^\circ C$
- Drain Source Voltage-  
:  $V_{DSS}=600$  (Min)

**APPLICATIONS**

- Designed especially for high voltage,high speed applications, such as off-line switching power supplies , UPS,AC and DC motor controls,relay and solenoid drivers.

**ABSOLUTE MAXIMUM RATINGS( $T_a=25^\circ C$ )**

SYMBOL	ARAMETER	VALUE	UNI T
$V_{DSS}$	Drain-Source Voltage ( $V_{GS}=0$ )	600	V
$V_{GS}$	Gate-Source Voltage	$\pm 30$	V
$I_D$	Drain Current-continuous@ $T_C=25^\circ C$	9	A
$P_{tot}$	Total Dissipation@ $T_C=25^\circ C$	50	W
$T_j$	Max. Operating Junction Temperature	150	$^\circ C$
$T_{stg}$	Storage Temperature Range	-55~150	$^\circ C$



**isc N-Channel Mosfet Transistor****2SK1507****• ELECTRICAL CHARACTERISTICS (T<sub>C</sub>=25°C)**

SYMBOL	PARAMETER	CONDITIONS	MIN	TYP	MAX	UNIT
V <sub>(BR)DSS</sub>	Drain-Source Breakdown Voltage	V <sub>GS</sub> =0; I <sub>D</sub> = 1mA	600			V
V <sub>GS(th)</sub>	Gate Threshold Voltage	V <sub>DS</sub> =0; I <sub>D</sub> =1mA	2.5	3.5	5.0	V
R <sub>DS(on)</sub>	Drain-Source On-stage Resistance	V <sub>GS</sub> =10V; I <sub>D</sub> =5A		0.85	1.0	Ω
I <sub>GSS</sub>	Gate Source Leakage Current	V <sub>GS</sub> = ±30V; V <sub>DS</sub> = 0			± 100	nA
I <sub>DSS</sub>	Zero Gate Voltage Drain Current	V <sub>DS</sub> =600V; V <sub>GS</sub> = 0			500	uA
V <sub>SD</sub>	Diode Forward Voltage	I <sub>F</sub> =9A; V <sub>GS</sub> =0		1.1	1.5	V
t <sub>r</sub>	Rise time	V <sub>GS</sub> =10V; I <sub>D</sub> =9A; R <sub>L</sub> =25 Ω		30	45	ns
t <sub>on</sub>	Turn-on time			80	120	ns
t <sub>f</sub>	Fall time			80	120	ns
t <sub>off</sub>	Turn-off time			160	240	ns