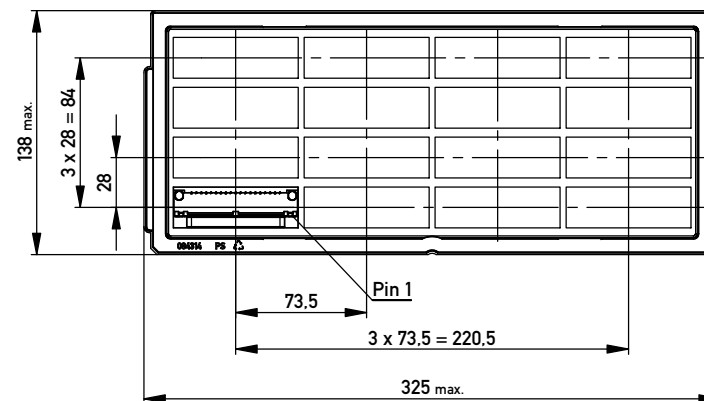


Verpackt in Tray
Verpackungseinheit 16 Stck

tray packaging
packaging unit 16 pcs

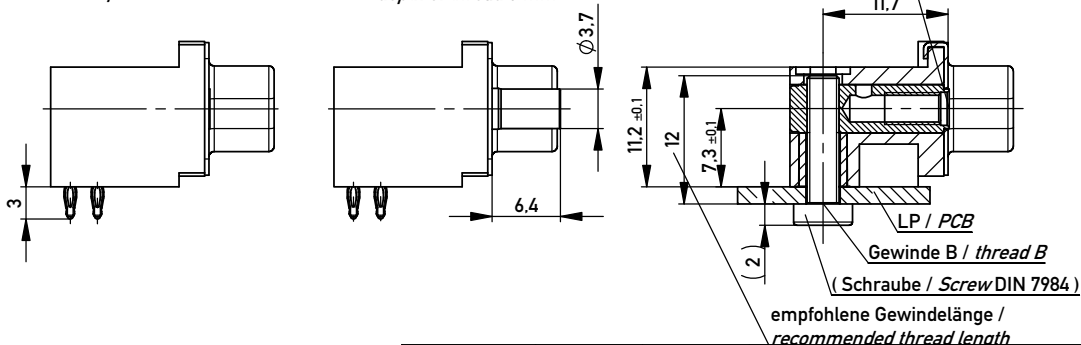


Sonstige Angaben siehe Zeichnung 204629 / Additional indications according to drawing 204629

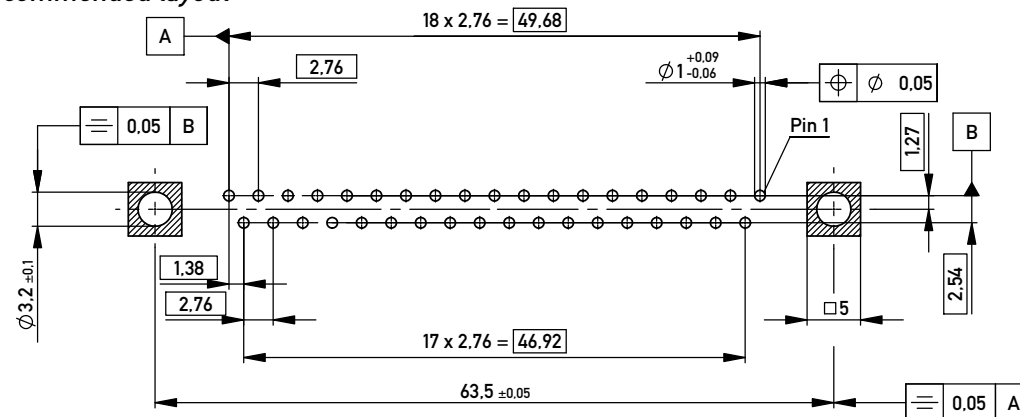
Mutter / nut
Gewindetiefe 5.9 mm
depth of thread 5.9 mm

Bolzen / bolt
Gewindetiefe 6 mm
depth of thread 6 mm

Anwendungsbeispiel / example of use



Layoutvorschlag
recommended layout



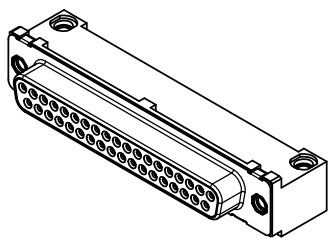
sonstige Angaben siehe 164062 / additional indications according to 164062

Fehlende Masse und Angaben siehe DIN 41652 / Missing information and dimensions according to DIN 41652
Sonstige Angaben siehe Fertigungsunterlagen / Additional indications according to production documentation

Anschlussbereich verzinkt
terminal area tin plating

Anforderungsstufe: 2
class: 2

284535		#4-40	M3	
		M3	#4-40	
284534		#4-40	#4-40	
		M3	M3	
	#4-40	M3		
	M3	#4-40		
284533	#4-40	#4-40		
	M3	M3		
	Gewinde A thread A	Gewinde B thread B	Gewinde A thread A	Gewinde B thread B
Ident-Nr. part-no. Tray / tray	Quermutter nut	Querbolzen bolt	Bemerkung remark	



Copyright by ERNI GmbH
Proprietary notice pursuant to ISO 9006 to be observed.

Information:
All rights reserved.
Only for Information.
To ensure that this is the latest version of this drawing, please contact one of the ERNI companies before using.

Tolerances
All Dimensions in mm

Scale 2:1

Subject to modification without prior notice.
Drawing will not be updated.

Designation
TMC-S-37-EE-SV-Standard-BA8-ZV
TMC-S-37-EE-SV-Standard-BA8-ZV

ERNI www.ERNI.com

224964

I
A3

b 09.12.2011
Index Date

Class TMCS