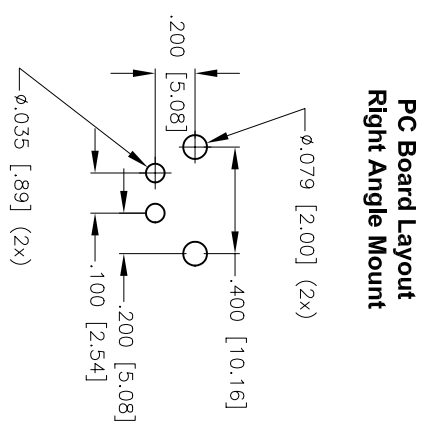
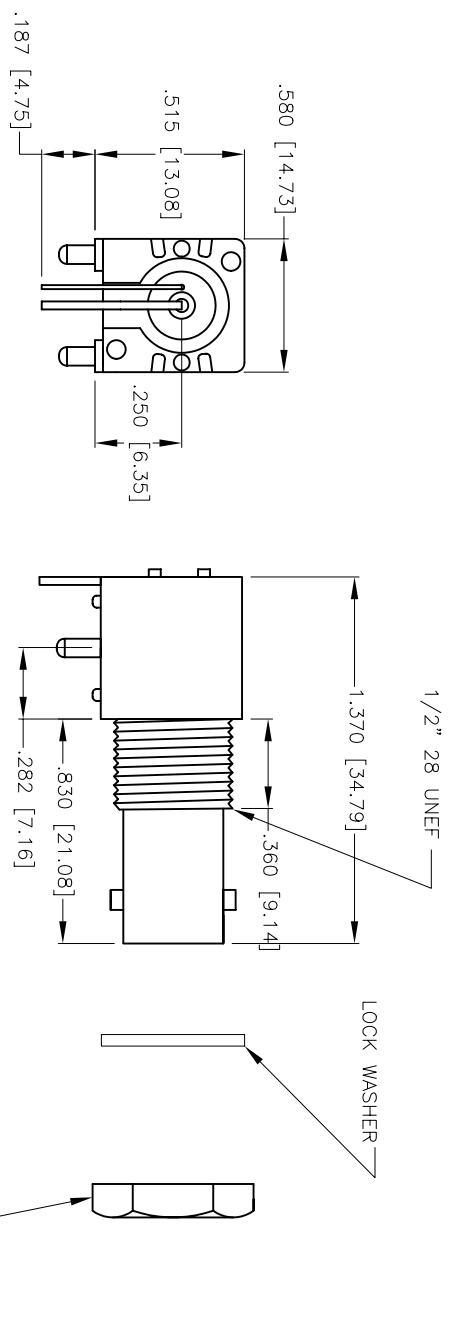


Rev	AWO #	Description	Date	Appr
-		RELEASED	4/2/04	

APPROVED: \_\_\_\_\_  
 DATE: \_\_\_\_\_ TITLE: \_\_\_\_\_



**PC Board Layout  
Right Angle Mount**

**CONNECTOR SPECIFICATIONS:**

**MATERIAL:**

Shell: Zinc Alloy  
 Insulator: Zinc Alloy  
 Dielectric: Polypropylene  
 Contacts: Phosphor Bronze

**PLATING:**

15 uin gold on mating area  
 200 uin (min) tin-lead on solder tails

**ELECTRICAL:**

Operating Voltage: 500 VAC max.  
 Impedance: 50 ohms; Frequency Range: 0-4 GHz  
 Contact Resistance: Inner: 6 - Outer; 3 mohms  
 Insulation Resistance: 5000 Mohms (min.) @ 1500 VDC  
 between adjacent contacts (75°F and 50 % R.H.)  
 Dielectric Withstanding Voltage: 1500 VAC (min.) rms

**MECHANICAL:**

insertion Force: 0 gms:  
 Cable Retention: 60 lbs. (min.)  
 Mating Durability: 500 cycles (min.)  
**TEMPERATURE RATING:**  
 Operating Temperature: -55°C to +85°C

**ADAM TECH**  
 909 Rahway Avenue, Union, NJ 07083  
 Phone: 908-687-5000 Fax: 908-687-5710

**Right Angle BNC Connector, 50 OHM**

UNLESS OTHERWISE SPECIFIED ALL DIMENSIONS ARE MM [INCHES] TOLERANCES: EXCEPT AS NOTED	
INCHES	HOLDS
.X ± .10	ØX ± .10
.XX ± .020	ØXXX ± .015
.XXX ± .015	ØXXX ± .010
APPROVALS	DATE
DRAWN	SLS
CHECKED	
APPROVED	

TITLE	SIZE	PART NO.	REV.
Right Angle BNC Connector, 50 OHM	X	RF1-01-P-00-50-M-HDW	
REF:	SCALE:	NTS	SHEET 1 OF 1