



STANDARD
MICROSYSTEMS
CORPORATION

MON35W42

Hardware Monitoring IC with Thermal Diode Interface

FEATURES

- **Monitoring Items**
 - 3 Thermal Inputs From Remote Thermistors or 2N3904 NPN-type Transistors or Pentium® II (Deschutes) Thermal Diode Output
 - 9 Voltage Inputs - Typical for Vcore, +3.3V, +12V, -12V, +5V, -5V, +5V Vsb, Vbat, and One Reserved
 - 3 Fan Speed Monitoring Inputs
 - Case Open Detection Input
 - WATCHDOG Comparison of all Monitored Values
 - Programmable Hysteresis and Setting Points (Alarm Thresholds) for all Monitored Items
- **Action Enabling**
 - Beep Tone Warning
 - 4 PWM (Pulse Width Modulation) Outputs for Fan Speed Control (3 are MUX Optional); Up to 3 sets of fan Speed Monitoring and Control.
 - Issue nSMI, nOVT, nGPO Signals to Activate System Protection
 - Warning Signal Pop-Up for Application Software
- **General**
 - ISA and I²C Serial Bus Interface
 - 5 VID Input Pins for CPU Vcore Identification (for Pentium® II)
 - Initial Power Fault Beep (for +3.3V, Vcore)
 - Master Reset Input to MON35W42
 - Independent Power Plane of Digital Vcc and Analog Vcc (Inputs to IC)
 - 3 Pins (IA0, IA1, IA2) to Provide Selectable Address Setting for Application of Multiple Devices (up to 8 Devices) Wired Through I²C Interface
 - Intel® LDCM (DMI Driver 2.0) Support
 - Acer ADM (DMI Driver 2.0) Support
 - SMSC Hardware Monitoring Application Software (Hardware Doctor) Support, for Both Windows 95/98 and Windows NT 4.0/5.0
 - Input Clock Rate Optional for 24, 48, 14.318 MHz
 - 5V Vcc Operation
- **Package**
 - 48 Pin TQFP

GENERAL DESCRIPTION

The MON35W42 is an enhanced version of the MON35W41 hardware status monitoring IC. The MON35W42 can be used to monitor several critical hardware parameters of the system, including power supply voltages, fan speeds, and temperatures, which are very important for the stability and proper operation of high-end computer systems. MON35W42 provides both ISA and I²C serial bus interface.

An 8-bit analog-to-digital converter (ADC) is contained within the MON35W42. The MON35W42 can simultaneously monitor 9 analog voltage inputs, 2 fan tachometer inputs, 3 remote temperature and 1 case-open detection signal. The remote temperature sensing can be performed by thermistors, or 2N3904 NPN-type transistors, or directly from Intel[®] Deschutes CPU thermal diode output. The MON35W42 provides: 4 PWM (pulse width modulation) outputs for the fan speed control; beep tone output for audio warning and nSML, nOVT, and nGPO signals for system protection events.

With application software such as the Intel[®] LDCM (LANDesk Client Management software), the user can read all the monitored parameters of system from time to time. And a pop-up warning can also be activated when the monitored item drifts out of the proper/preset range. Also the user can set the upper and lower limits (alarm thresholds) of these monitored parameters and activate programmable and maskable interrupts. An optional beep tone can be used as a warning signal when the monitored parameter is out of the preset range.

Additionally, 5 VID inputs are provided to read the VID of CPU (i.e. Pentium[®] II) if applicable. This provides automatic correction of the Vcore voltage. The MON35W42 uniquely provides an optional feature: early stage (before BIOS is loaded) beep warning. This is to detect if a fatal condition is present --- Vcore or +3.3V voltage fail, and the system can not boot up. There are 3 specific pins to provide selectable address settings for applications using multiple devices (up to 8 devices) wired through the I²C interface.

TABLE OF CONTENTS

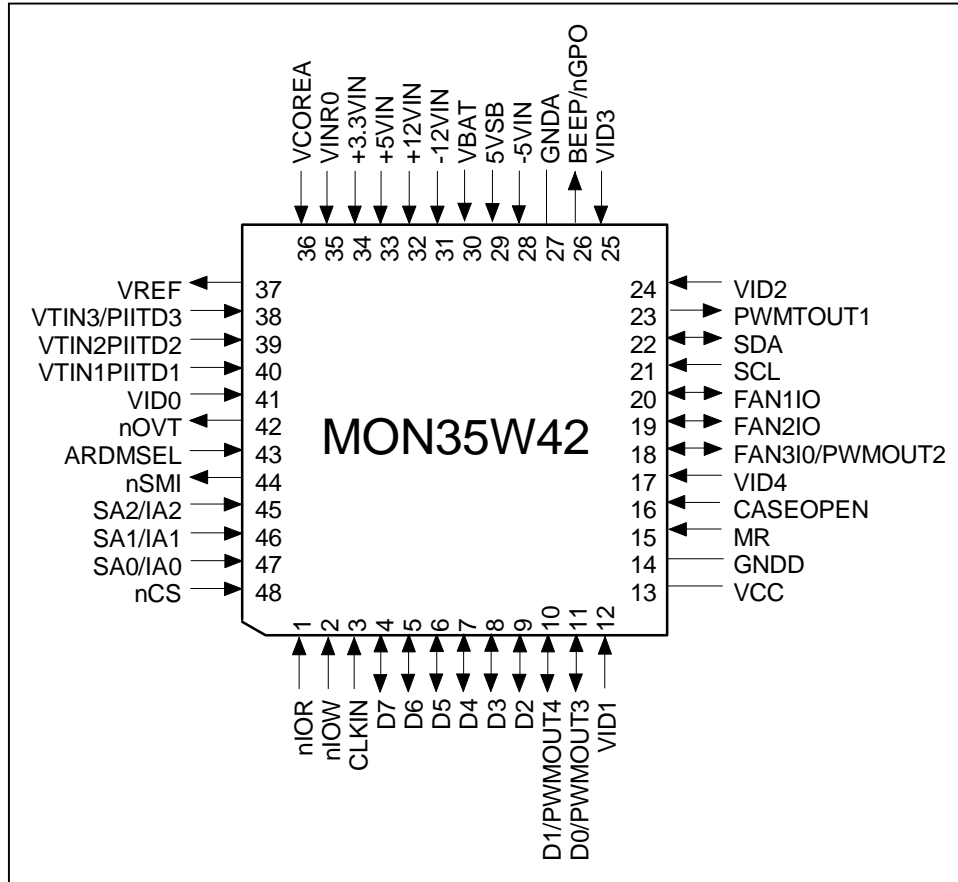
FEATURES	1
GENERAL DESCRIPTION	2
TABLE OF CONTENTS	3
Key Specifications	5
PIN CONFIGURATION	5
PIN DESCRIPTION	6
DESCRIPTION OF PIN FUNCTIONS	6
Functional Description	9
General Description	9
Access Interface	9
Analog Inputs	16
FAN Speed Count and FAN Speed Control	19
Temperature Measurement Machine	21
REGISTERS AND RAM	25
Address Register (Port x5h)	25
Data Register (Port x6h)	26
Configuration Register — Index 40h	27
Interrupt Status Register 1— Index 41h	28
Interrupt Status Register 2 — Index 42h	28
nSMI Mask Register 1 — Index 43h	29
nSMI Mask Register 2 — Index 44h	29
Reserved Register — Index 45h	30
Chassis Clear Register -- Index 46h	30
VID/Fan Divisor Register — Index 47h	30
Serial Bus Address Register — Index 48h	31
Value RAM — Index 20h- 3Fh or 60h - 7Fh (auto-increment)	31
Voltage ID (VID4) & Device ID -- Index 49h	32
Temperature 2 and Temperature 3 Serial Bus Address Register--Index 4Ah	33
Pin Control Register -- Index 4Bh	33
nIRQ/nOVT Property Select -- Index 4Ch	34
FAN IN/OUT and BEEP/nGPO Control Register -- Index 4Dh	35
Register 50h ~ 5Fh Bank Select -- Index 4Eh	36
SMSC Vendor ID -- Index 4Fh	36
SMSC Test Register -- Index 50h - 55h (Bank 0)	37
BEEP Control Register 1-- Index 56h (Bank 0)	37
BEEP Control Register 2-- Index 57h (Bank 0)	38
Chip ID -- Index 58h (Bank 0)	38
Reserved Register -- Index 59h (Bank 0)	39
PWMOUT2 Control -- Index 5Ah (Bank 0)	39
PWMOUT1 Control -- Index 5Bh (Bank 0)	40
PWMOUT1/2 Clock Select -- Index 5Ch (Bank 0)	41
VBAT Monitor Control Register -- Index 5Dh (Bank 0)	41
PWMOUT3 Control -- Index 5Eh (Bank 0)	42
PWMOUT4 Control -- Index 5Fh (Bank 0)	42
Temperature Sensor 2 Temperature (High Byte) Register - Index 50h (Bank 1)	43

Temperature Sensor 2 Temperature (Low Byte) Register - Index 51h (Bank 1).....	43
Temperature Sensor 2 Configuration Register - index 52h (Bank 1)	44
Temperature Sensor 2 Hysteresis (High Byte) Register - Index 53h (Bank 1).....	44
Temperature Sensor 2 Hysteresis (Low Byte) Register - Index 54h (Bank 1).....	45
Temperature Sensor 2 Over-temperature (High Byte) Register - Index 55h (Bank 1)	45
Temperature Sensor 2 Over-temperature (Low Byte) Register - Index 56h(Bank 1)	46
Temperature Sensor 3 Temperature (High Byte) Register - Index 50h (Bank 2).....	46
Temperature Sensor 3 Temperature (Low Byte) Register - Index 51h (Bank 2).....	46
Temperature Sensor 3 Configuration Register - Index 52h (Bank 2).....	47
Temperature Sensor 3 Hysteresis (High Byte) Register - Index 53h (Bank 2).....	47
Temperature Sensor 3 Hysteresis (Low Byte) Register - Index 54h (Bank 2).....	48
Temperature Sensor 3 Over-temperature (High Byte) Register - Index 55h (Bank 2)	48
Temperature Sensor 3 Over-temperature (Low Byte) Register - Index 56h(Bank 2)	49
Interrupt Status Register 3 -- Index 50h (BANK4)	49
nSMI Mask Register 3 -- Index 51h (BANK 4).....	50
BEEP Control Register 3-- Index 53h (Bank 4).....	50
Reserved Register -- Index 54h--58h	51
Real Time Hardware Status Register I -- Index 59h (Bank 4)	51
Real Time Hardware Status Register II -- Index 5Ah (Bank 4).....	52
Real Time Hardware Status Register III -- Index 5Bh (Bank 4).....	52
PWMOUT3/4 Clock Select -- Index 5Ch (Bank 4).....	53
Value RAM 2— Index 50h - 5Ah (auto-increment) (BANK 5).....	53
SMSC Test Register - Index 50h (Bank 6)	53
SPECIFICATIONS	54
Absolute Maximum Ratings	54
DC Characteristics	54
AC CHARACTERISTICS.....	56
ISA Read/Write Interface Timing	56
PACKAGE DIMENSIONS.....	58

KEY SPECIFICATIONS

- Voltage monitoring accuracy $\pm 1\%$ (Max)
- Monitoring Temperature Range and Accuracy $\pm 3^\circ\text{C}$ (Max)
- 40°C to $+120^\circ\text{C}$
- Supply Voltage 5V
- Operating Supply Current 5 mA typ.
- ADC Resolution 8 Bits

PIN CONFIGURATION



PIN DESCRIPTION

I/O_{12t} - TTL level bi-directional pin with 12 mA source-sink capability
 I/O_{12ts} - TTL level and schmitt trigger
 OUT₁₂ - Output pin with 12 mA source-sink capability
 AOUT - Output pin (Analog)
 OD₁₂ - Open-drain output pin with 12 mA sink capability
 IN_t - TTL level input pin
 IN_{ts} - TTL level input pin and schmitt trigger
 AIN - Input pin (Analog)

DESCRIPTION OF PIN FUNCTIONS

PIN NAME	PIN NO.	TYPE	DESCRIPTION
nIOR	1	IN _{ts}	An active low standard ISA bus I/O Read Control.
nIOW	2	IN _{ts}	An active low standard ISA bus I/O Write Control.
CLKIN	3	IN _t	System clock input. Can select 48MHz or 24MHz or 14.318MHz. The default is 24MHz.
D7~D2	4-9	I/O _{12t}	Bi-directional ISA bus Data lines. D0 corresponds to the low order bit, with D7 the high order bit. These pins are activated if pin ADRMSEL=0.
D1/ PWMOUT4	10	I/O _{12t} OUT _{12t}	Bi-directional ISA bus Data lines. This pin is activated if pin ADRMSEL=0. /Fan speed control PWM output. This pin is activated if pin ADRMSEL=1.
D0/ PWMOUT3	11	I/O _{12t} OUT _{12t}	Bi-directional ISA bus Data lines. This pin is activated if pin ADRMSEL=0. /Fan speed control PWM output. This pin is activated if pin ADRMSEL=1.
VID1	12	IN _t	Voltage Supply readouts from P6. This value is read in the VID/Fan Divisor Register.
V _{CC} (+5V)	13	POWER	+5V V _{CC} power. Bypass with the parallel combination of 10μF (electrolytic or tantalum) and 0.1μF (ceramic) bypass capacitors.
GNDD	14	DGGROUND	Internally connected to all digital circuitry.
MR	15	IN _{ts}	Master reset input.
nCASEOPEN	16	IN _t	CASE OPEN detection. An active low input from an external device when the case is opened. This signal can be latched if VBAT is connect to a battery, even if the MON35W42 is power off.
VID4	17	IN _t	Voltage Supply readouts from P6. This value is read in the bit <0> of Device ID Register.
FAN3IO/ PWMOUT2	18	I/O _{12t}	0V to +5V amplitude fan tachometer input. / Fan speed control PWM output.

PIN NAME	PIN NO.	TYPE	DESCRIPTION
FAN2IO-FAN1IO	19-20	I/O _{12t}	0V to +5V amplitude fan tachometer input / Fan on-off control output. These multi-functional pins can be programmable input or output.
SCL	21	IN _{ts}	Serial Bus Clock.
SDA	22	I/O _{12ts}	Serial Bus bi-directional Data.
PWMOUT1	23	OUT _{12t}	Fan speed control PWM output.
VID2	24	IN _t	Voltage Supply readouts from P6. This value is read in the VID/Fan Divisor Register.
VID3	25	IN _t	Voltage Supply readouts from P6. This value is read in the VID/Fan Divisor Register.
BEEP/nGPO	26	OD ₄₈	Beep (Default) / General purpose output This multi-functional pin is programmable.
GND A	27	AGROUND	Internally connected to all analog circuitry. The ground reference for all analog inputs.
-5VIN	28	AIN	0V to 4.096V FSR Analog Inputs.
5VSB	29	AIN	0V to 4.096V FSR Analog Inputs.
VBAT	30	AIN	0V to 4.096V FSR Analog Inputs. (This pin should be connected to a 3V BATTERY.)
-12VIN	31	AIN	0V to 4.096V FSR Analog Inputs.
+12VIN	32	AIN	0V to 4.096V FSR Analog Inputs.
+5VIN	33	AIN	This pin is Analog Vcc and connects internal monitor channel IN3 with fixed scale.
+3.3VIN	34	AIN	0V to 4.096V FSR Analog Inputs.
VINR0	35	AIN	0V to 4.096V FSR Analog Inputs.
VCOREA	36	AIN	0V to 4.096V FSR Analog Inputs.
VREF	37	AOUT	Reference Voltage.
VTIN3 / PIITD3	38	AIN	Thermistor 3 terminal input.(Default) / Pentium® II diode 3 input. This multi-functional pin is programmable.
VTIN2 / PIITD2	39	AIN	Thermistor 2 terminal input. (Default)/ Pentium® II diode 2 input. This multi-functional pin is programmable.
VTIN1 / PIITD1	40	AIN	Thermistor 1 terminal input. (Default)/ Pentium® II diode 1 input. This multi-functional pin is programmable.
VID0	41	IN _t	Voltage Supply readouts from P6. This value is read in the VID/Fan Divisor Register.
nOVT	42	OD _{12t}	Over temperature Shutdown Output.
ADRMSEL	43	IN _t	Pin 45--47 mode selection. 0 = The 3 lowest order bits of ISA Address Bus.(Default, internal pull-down 47K ohm) 1 = 7 bit I ² C address setting pin.(bit2 - bit0)

PIN NAME	PIN NO.	TYPE	DESCRIPTION
nSMI	44	OD ₁₂	System Management Interrupt (open drain). This output is enabled when Bit 1 in the Configuration Register is set to 1. The default state is disabled.
SA2-SA0 IA2,IA1,IA0	45-47	IN _t IN _t	The three lowest order bits of the 16-bit ISA Address Bus. A0 corresponds to the lowest order bit. (Default, when ARDMSEL =0 or left open) The hardware setting pin of 7 bit I ² C serial address bit2, bit1 and bit0. (When ARDMSEL =1)
nCS	48	IN _t	Chip Select input from an external decoder, which decodes high order address bits on the ISA Address Bus. This is an active low input.

FUNCTIONAL DESCRIPTION

General Description

The MON35W42 provides 7 analog positive inputs, 3 fan speed monitors, up to 4 sets of fan PWM (Pulse Width Modulation) control, 3 thermal inputs from remote thermistors or 2N3904 transistors or Pentium® II (Deschutes) thermal diode outputs, case open detection and beep function output. When the monitored value exceed the set limit value for voltage, temperature, or fan counter, the beep output can be generated. Once the monitor function on the chip is enabled, the watch dog machine monitors each function and stores the values. If the monitored value exceeds the limit value, the interrupt status is set to 1 and an interrupt can be generated.

Access Interface

The MON35W42 provides two interfaces for the microprocessor to read/write internal registers.

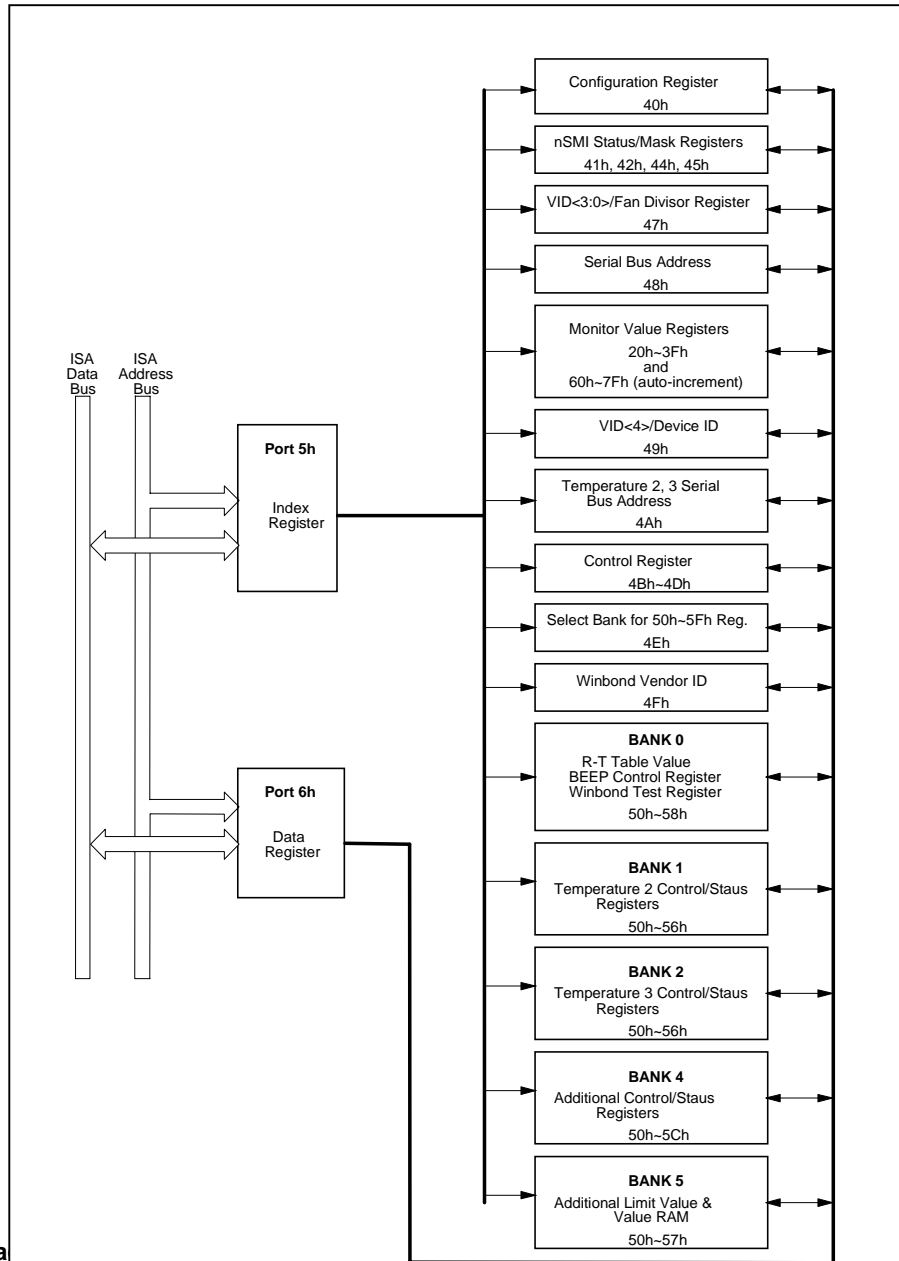
ISA interface

The ISA Bus can be used to access the internal registers of the MON35W42. This uses an Index register and Data register to access the internal registers. The upper address bits of the ISA bus (bits15:3) must be externally decoded for the Chip Select (nCS), the recommended address is 290h-297h. The Chip then uses the lower three ISA address bits (bits 2:0) to decode the Index and Data Registers. These two I/O registers are described as following:

Port 295h: Index register.

Port 296h: Data register

The register structure is shown in Figure 1.



I²C Interfa

The second

The MON35V42 uses three serial bus addresses. The first address defined at CR[48h]

Bank 1 and Bank 2-0 can only be used to read/write temperature sensor 2 registers, and the third address defined at

CR[4Ah] bit6-4 can only be used to access (read/write) temperature sensor 3 registers.

The first serial bus address, CR[48h],

uses 3 hardware setting bits. When pin 43 is set high, pins 47-45 are used to set the I²C address for register CR[48h]. The selected address is 00101[pin45][pin46][pin47]. If pin45=1, pin46=1, pin47=0, the content of CR[48h] is 00101110. CR[4Ah] is used to set the other two I²C addresses. If CR[4Ah] bit 2-0 is XXX, the temperature sensor 2 serial address is 1001XXXG, in which G is the read/write bit. If CR[4Ah] bit 6-4 is YYY, the temperature sensor 3 serial address is 1001YYYG, in which G is the read/write bit.

The first serial bus access timing are shown as follows:

(a) Serial bus write to internal address register followed by the data byte

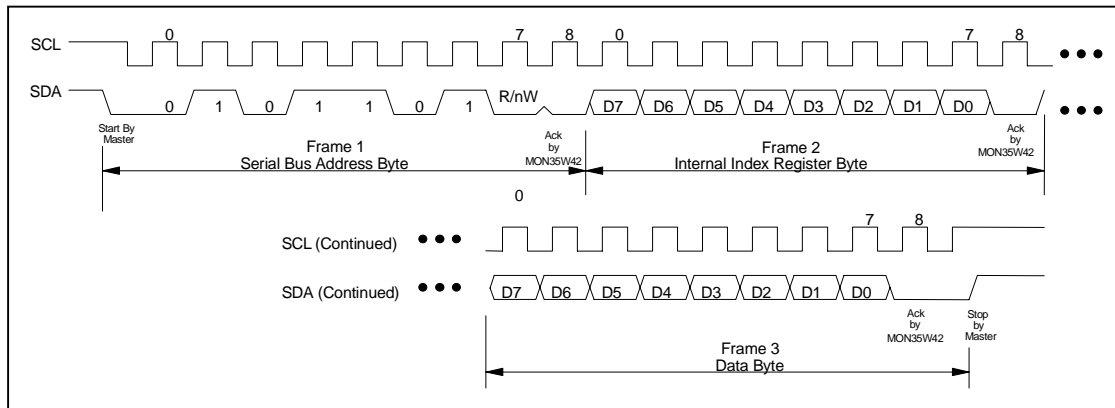


FIGURE 2 – SERIAL BUS WRITE TO INTERNAL ADDRESS REGISTER FOLLOWED BY THE DATA BYTE

(b) Serial bus write to internal address register only

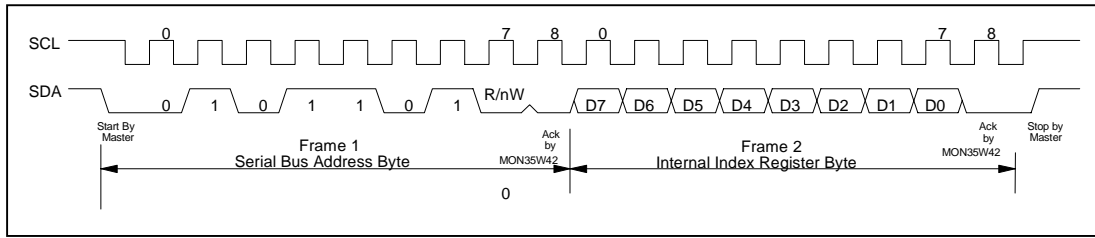


FIGURE 3 – SERIAL BUS WRITE TO INTERNAL ADDRESS REGISTER ONLY

(c) Serial bus read from a register with the internal address register preset to desired location

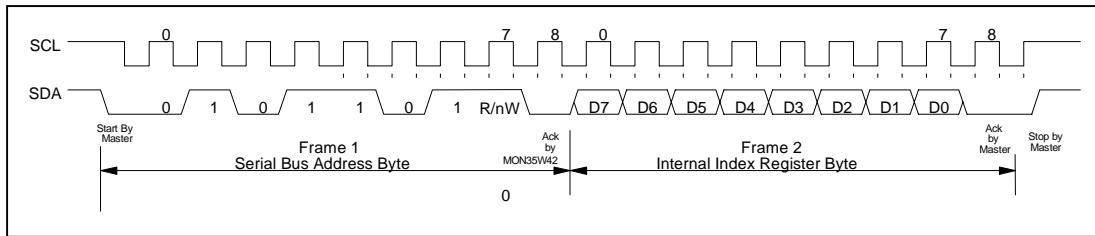


FIGURE 4 – SERIAL BUS WRITE TO INTERNAL ADDRESS REGISTER

The serial bus timing of the temperature 2 and 3 is shown as follow:

(a) Typical 2-byte read from preset pointer location (Temp, T_{OS}, T_{HYST})

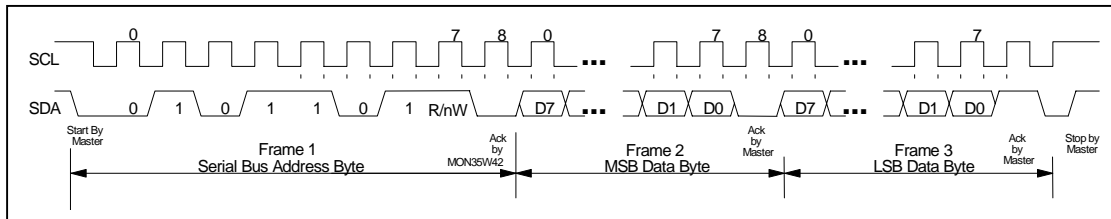
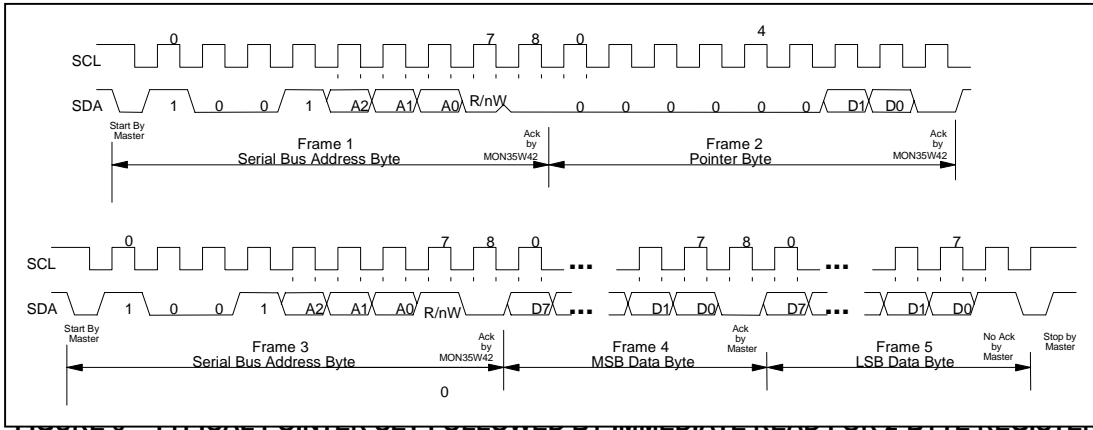


FIGURE 5 – TYPICAL 2-BYTE READ FROM PRESENT POINTER LOCATION

(b) Typical pointer set followed by immediate read for 2-byte register (Temp, T_{OS}, T_{HYST})



(c) Typical read 1-byte from configuration register with preset pointer

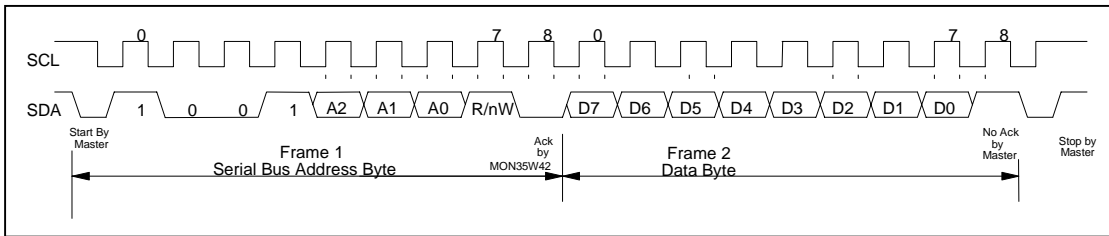
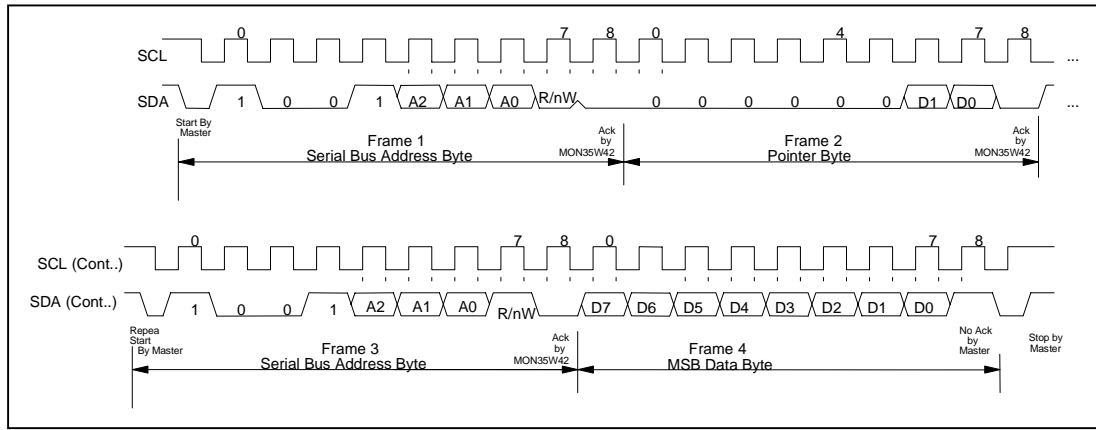


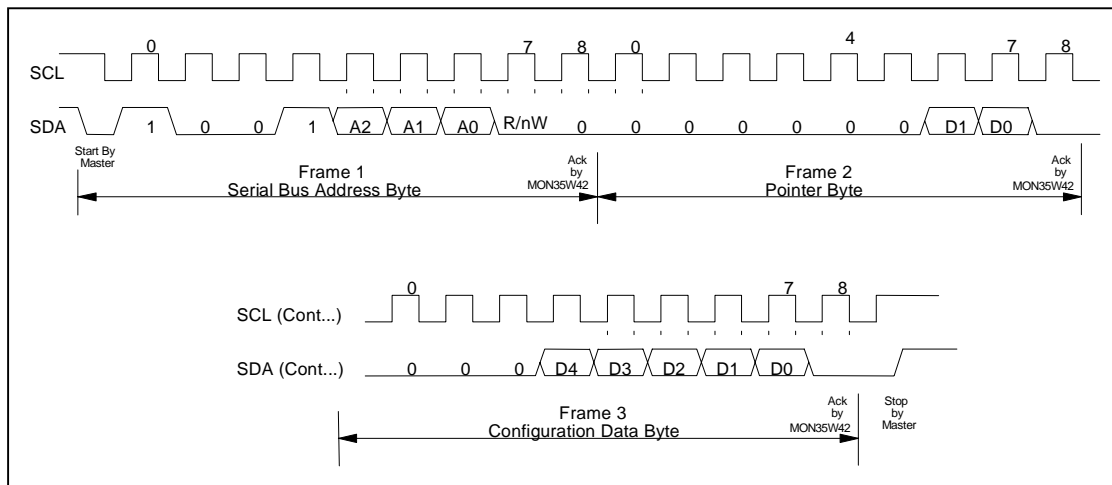
FIGURE 7 – TYPICAL 1-BYTE READ FROM CONFIGURATION WITH RESET

(d) Typical pointer set followed by immediate read from configuration register



CONFIGURATION REGISTER

(e) Temperature 2/3 configuration register Write



(f) Temperature 2/3 T_{OS} and T_{HYST} write

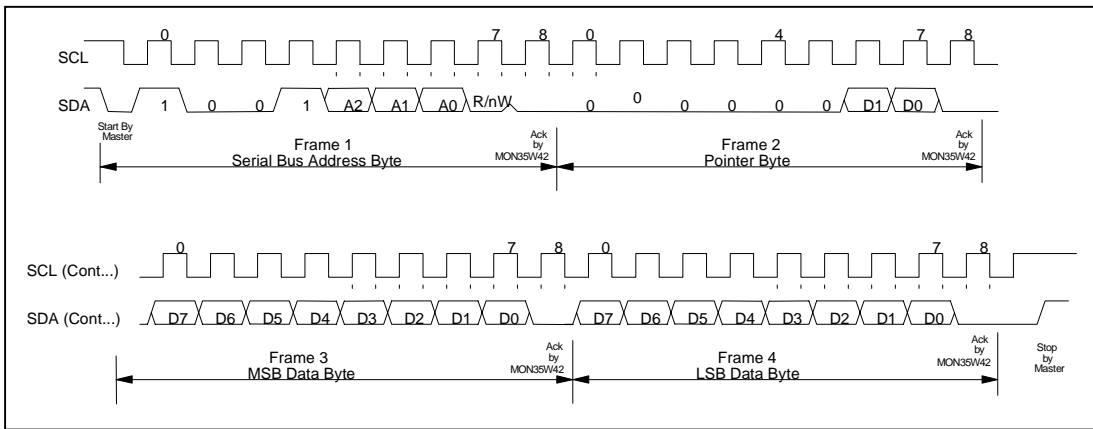
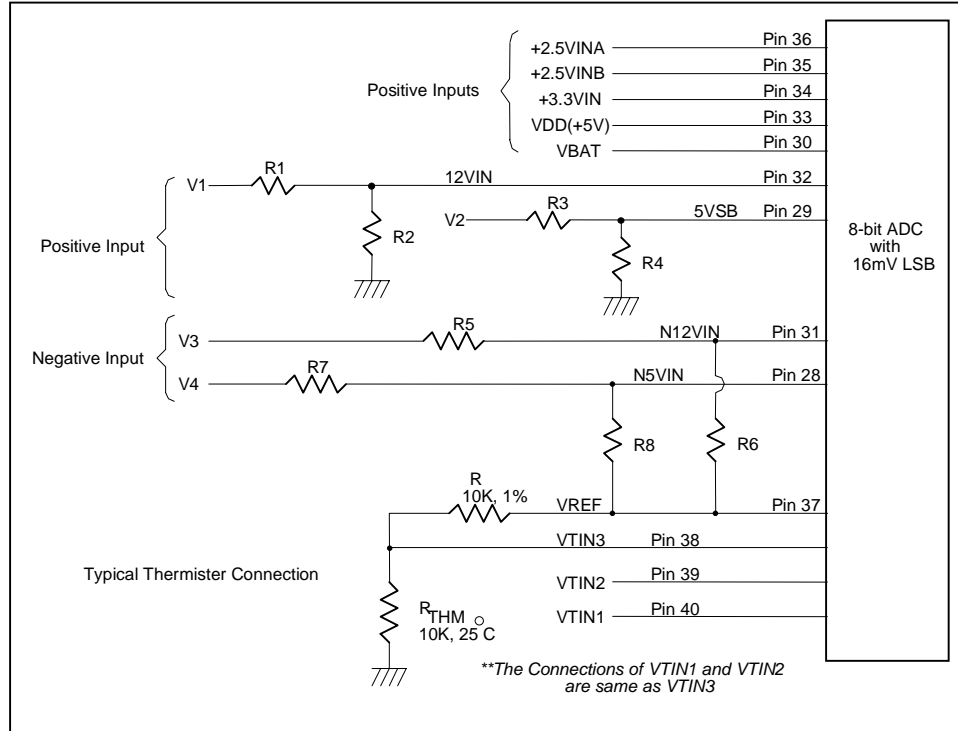


FIGURE 10 – CONFIGURATION REGISTER WRITE

Analog Inputs

The maximum input voltage of the analog pin is 4.096V, the 8-bit ADC has a 16mV LSB. For most PC applications, the analog inputs are connected to the power suppliers. The CPU V-

core voltage,+3.3V and battery voltage can directly connected to these analog inputs. The 5VSB and +12V inputs should be reduced using external resistors to obtain the proper input range. Refer to Figure 11.



Monitor over 4.096V voltage:

The input voltage +12VIN can be expressed using the following equation.

$$12VIN = V_1 \times \frac{R_2}{R_1 + R_2}$$

The value of R1 and R2 can be selected as 28K Ohms and 10K Ohms, respectively, when the input voltage V1 is 12V. The node voltage of +12VIN will be subject to less than 4.096V for the maximum input range of the 8-bit ADC. Similarly, the node voltage of 5VSB (measured standby power VSB for ATX power supply) also can be monitored by using two series resistors R3 and R4 which can be 5.1K ohms and 7.5K ohms so as to obtain the 5VSB as limited to less than 4.096V. Pin 33 is connected to the power supply VCC at +5V. This pin supports two functions. The first function is to supply internal analog power in the MON35W42 and the second function is to monitor the 5V input through internal series resistors. The values of the two series resistors are 34K ohms and 50K ohms so that input voltage to ADC is 2.98V which is less than 4.096V of the ADC maximum input voltage. The voltage equation can be represent as follows.

$$V_{in} = VCC \times \frac{50K\Omega}{50K\Omega + 34K\Omega} \cong 2.98V$$

where VCC is set to 5V.

Monitor negative voltage:

The negative voltage should be connected to series resistors and a positive voltage VREF (equal to 3.6V). In Figure 11, the voltage V3 and V4 are two negative voltages, -12V and -5V respectively. The voltage V3 is connected to two series resistors and is then connected to VREF which is a positive voltage. The voltage at node N12VIN must be a positive voltage and will if the values of the two series resistors are carefully selected. If the value of two series resistors are R5=232K ohms and R6=56K ohm. The input voltage of node N12VIN can be calculated by the following equation.

$$N12VIN = (VREF + |V_5|) \times \left(\frac{232K\Omega}{232K\Omega + 56K\Omega} \right) + V_5$$

where VREF is equal 3.6V.

If V₅ is equal to -12V then the voltage is equal to 0.567V and the converted hexadecimal data is set to 35h by the 8-bit ADC with 16mV-LSB. This monitored value should be converted to the real negative voltage and the voltage is calculated by the following equation.

$$V_5 = \frac{N12VIN - VREF \times \beta}{1 - \beta}$$

Where β is 232K/(232K+56K). If the N2VIN is 0.567 then the V5 is approximately equal to -12V.

The other negative voltage input V6 (approximate -5V) also can be evaluated by a similar method and the series resistors can be selected as R7=120K ohms and R8=56K ohms. The equation for a V6 of -5V voltage is as follows.

$$V_6 = \frac{N5VIN - VREF \times \gamma}{1 - \gamma}$$

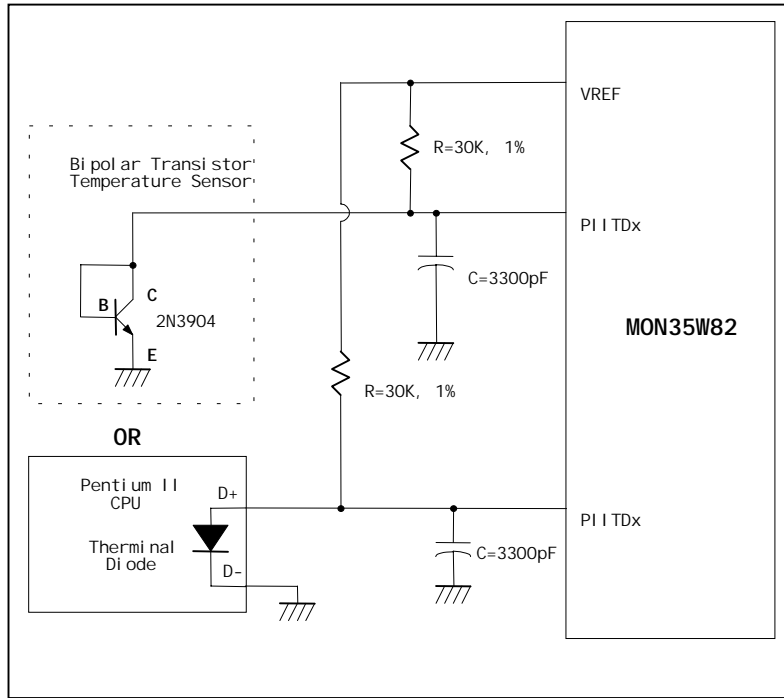
Where γ is $120K/(120K+56K)$. If the monitored ADC value in the N5VIN channel is 0.8635, VREF=3.6V and the parameter γ is 0.6818 then the negative voltage of V6 can be -5V.

Monitor temperature from thermistor:

The MON35W42 can connect to three thermistors to measure three different environment temperatures. The specification of thermistor is: (1) β value is 3435K, (2) resistor value is 10K ohms at 25°C. In Figure 11, the themistor is connected by a series resistor to a 10K Ohms resistor, then to VREF (Pin 37).

Monitor temperature from Pentium® II thermal diode or bipolar transistor 2N3904

The MON35W42 can monitor the temperature from the Pentium® II (Deschutes) thermal diode interface or a 2N3904 transistor. The circuit is shown in Figure 12. The Pentium® II D- pin is connected to power supply ground (GND) and the D+ pin is connected to pin PIITDx in the MON35W42. The resistor R=30K ohms is connected to VREF to supply the diode bias current and the bypass capacitor C=3300pF is used to filter the high frequency noise. The transistor 2N3904 is to a form a diode, the Base (B) and Collector (C) in the 2N3904 are tied together to act as a thermal diode.



FAN Speed Count and FAN Speed Control

Fan speed count

Fan speed count inputs provide for signals from fans equipped with tachometer outputs. These signals must be TTL level, and the maximum input voltage can not be over Vcc. If the input signals from the tachometer outputs are above VCC, the external voltage must be reduced using external components to obtain the proper input voltage. The normal circuit and trimming circuits are shown in Figure 13.

Determine the fan counter according to:

$$\text{Count} = \frac{1.35 \times 10^6}{\text{RPM} \times \text{Divisor}}$$

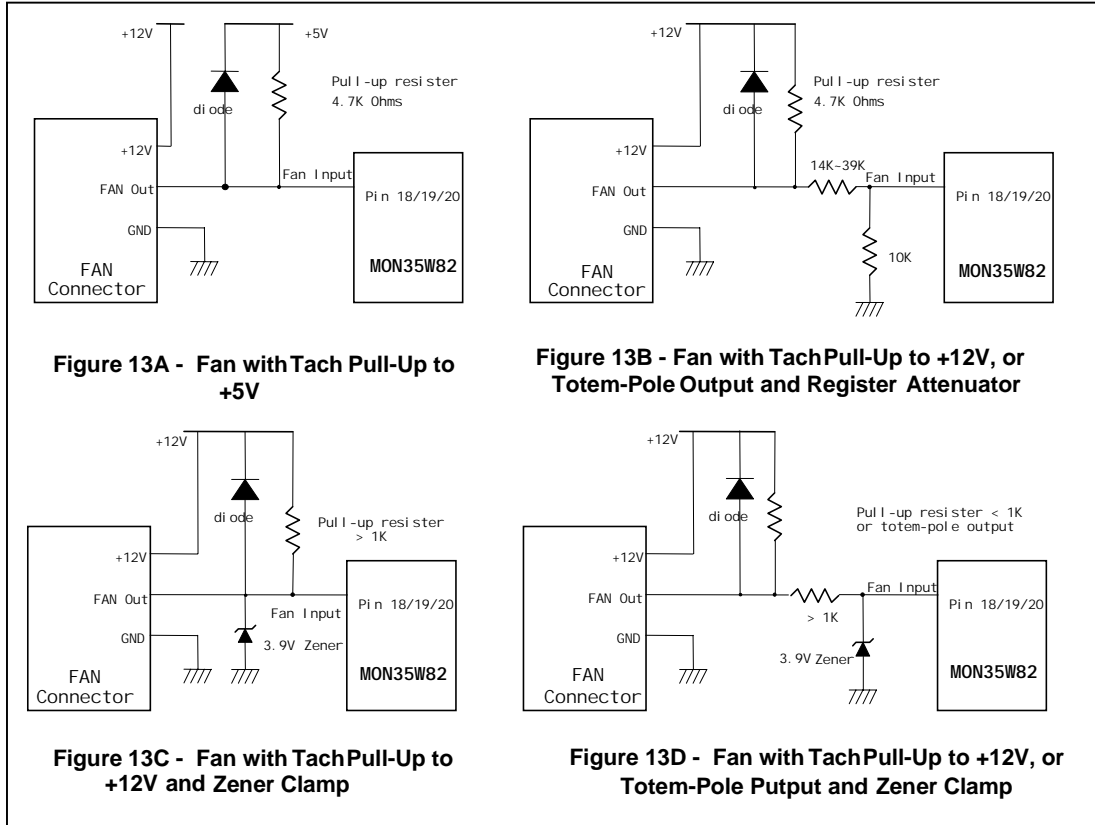
In other words, once the fan speed counter has been read from register CR28 or CR29 or CR2A, the fan speed can be evaluated by the following equation.

$$\text{RPM} = \frac{1.35 \times 10^6}{\text{Count} \times \text{Divisor}}$$

The default divisor is 2 and defined in CR47.bit7~4, CR4B.bit7~6, and Bank0 CR5D.bit5~7 which contain the three bits for the divisor. This provides very low speed fan counter support for fans such as power supply fan. The followed table is an example for the relation of divisor, RPM, and count.

Table 1

DIVISOR	NOMINAL RPM	TIME PER REVOLUTION	COUNTS	70% RPM	TIME FOR 70%
1	8800	6.82 ms	153	6160	9.74 ms
2 (default)	4400	13.64 ms	153	3080	19.48 ms
4	2200	27.27 ms	153	1540	38.96 ms
8	1100	54.54 ms	153	770	77.92 ms
16	550	109.08 ms	153	385	155.84 ms
32	275	218.16 ms	153	192	311.68 ms
64	137	436.32 ms	153	96	623.36 ms
128	68	872.64 ms	153	48	1246.72 ms



Fan speed control

The MON35W42 provides four sets of controls for fan PWM speed control. The duty cycle of the PWM can be programmed by a 8-bit registers which are defined in the Bank0 CR5A, CR5B, CR5E, and CR5F. The default duty cycle is set to 100%, the default 8-bit registers is set to FFh. The duty cycle can be calculated as follows.

$$\text{Duty cycle(\%)} = \frac{\text{Programmed 8-bit Register Value}}{255} \times 100\%$$

The PWM clock frequency also can be program and defined in the Bank0.CR5C and Bank4.CR5C. The application circuit is shown in figure 14.

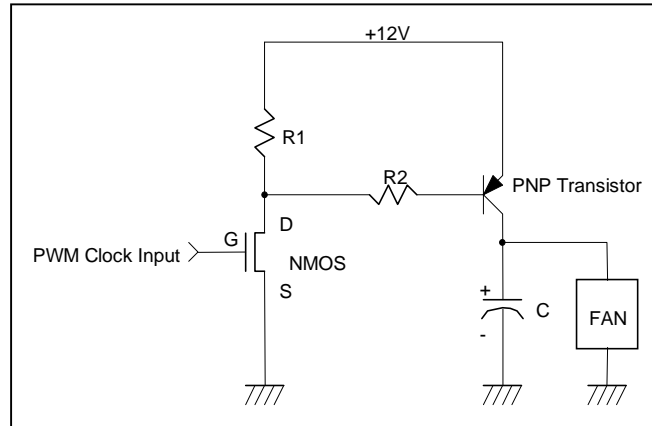


FIGURE 14

Temperature Measurement Machine

The temperature data format is 8-bit two's-complement for sensor 1 and 9-bit two's-complement for sensors 2/3. The 8-bit temperature data can be obtained by reading the CR[27h]. The 9-bit temperature data can be obtained by reading the 8 MSBs from the Bank1/2 CR[50h] and the LSB from the Bank1/2 CR[51h] bit 7. The format of the temperature data is show in Table 1.

Table 2

Temperature	8-Bit Digital Output		9-Bit Digital Output	
	8-Bit Binary	8-Bit Hex	9-Bit Binary	9-Bit Hex
+125°C	0111,1101	7Dh	0,1111,1010	0FAh
+25°C	0001,1001	19h	0,0011,0010	032h
+1°C	0000,0001	01h	0,0000,0010	002h
+0.5°C	-	-	0,0000,0001	001h
+0°C	0000,0000	00h	0,0000,0000	000h
-0.5°C	-	-	1,1111,1111	1FFh
-1°C	1111,1111	FFh	1,1111,1110	1FFh
-25°C	1110,0111	E7h	1,1100,1110	1CEh
-55°C	1100,1001	C9h	1,1001,0010	192h

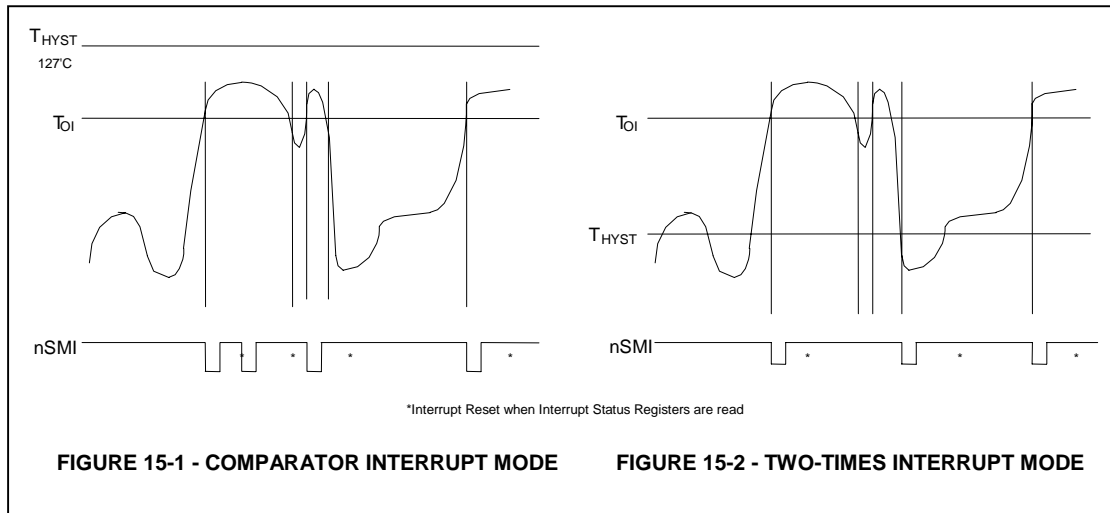
Temperature sensor 1 nSMI interrupt modes:

(1) Comparator Interrupt Mode

Setting the T_{HYST} (Temperature Hysteresis) limit to 127°C will set temperature sensor 1 nSMI to the Comparator Interrupt Mode. Temperatures which exceed T_O (Over Temperature) Limit cause an interrupt. This interrupt is reset by reading the Interrupt Status Register. Once an interrupt event has occurred by exceeding T_O , and then reset, if the temperature remains above the T_O , the interrupt will occur again when the next conversion has completed. If an interrupt event has occurred by exceeding T_O and is not reset, the interrupts will not occur again. The interrupts will continue to occur in this manner until the temperature goes below T_O . (Figure 16-1)

(2) Two-Times Interrupt Mode

Setting the T_{HYST} lower than T_O will set temperature sensor 1 nSMI to the Two-Times Interrupt Mode. The Temperature exceeding T_O causes an interrupt and then the temperature going below T_{HYST} also causes an interrupt if the previous interrupt has been reset by reading the interrupt Status Register. Once an interrupt event has occurred by exceeding T_O , then reset, if the temperature remains above the T_{HYST} , additional interrupts will not occur. (Figure 15-2)



Temperature sensor 2 and sensor 3 nSMI interrupt

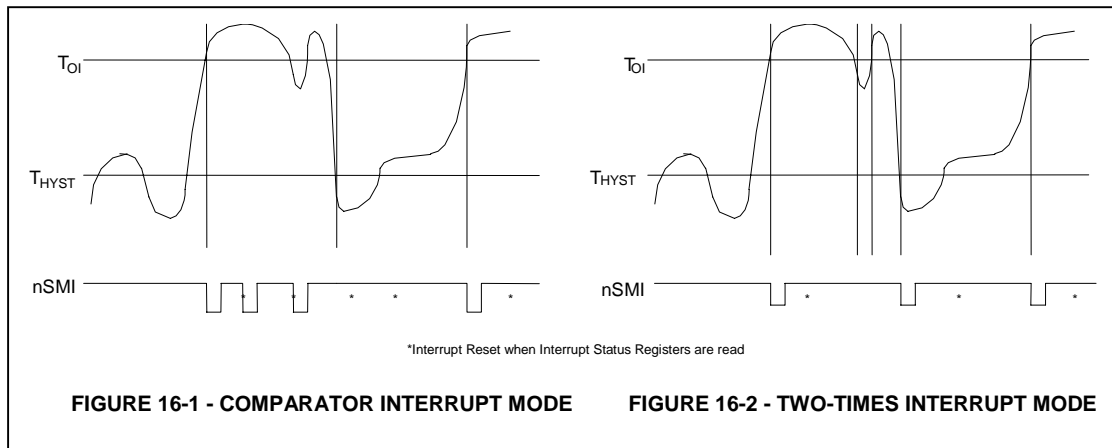
Temperature sensor 2 and sensor 3 nSMI interrupt have two modes of operation and are programmed at CR[4Ch] bit 6.

(1) Comparator Interrupt Mode

Temperatures exceeding T_O cause an interrupt. This interrupt is reset by reading the Interrupt Status Register. Once an interrupt event has occurred by exceeding T_O , and then reset, if the temperature remains above the T_{HYST} , the interrupt occurs again when the next conversion has completed. If an interrupt event has occurred by exceeding T_O and is not reset, the interrupt will not occur again. The interrupt continues to occur in this manner until the temperature goes below T_{HYST} . (Figure 16-1)

(2) Two-Times Interrupt Mode

Temperatures exceeding T_O cause an interrupt and then when the temperature going below T_{HYST} it will also cause an interrupt if the previous interrupt has been reset by reading the interrupt Status Register. Once an interrupt event has occurred by exceeding T_O , and then reset, if the temperature remains above the T_{HYST} , the interrupt will not re-occur. (Figure 16-2)



Temperature sensors 2 and 3 Over-Temperature (nOVT)

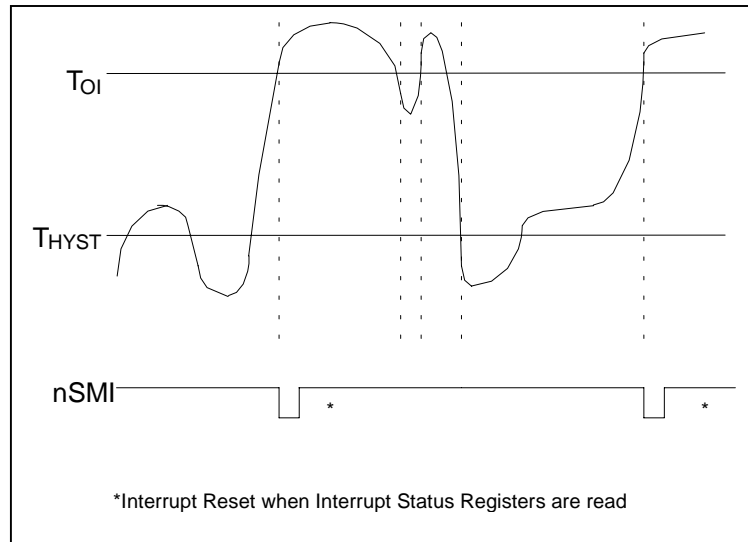
Temperature sensors 2 and 3 Over-Temperature (nOVT) have two modes of operation. They are programmed at Bank1 and Bank2 CR[52h] bit1 . These two bits needs to be programmed to the same value.

(1) Comparator Mode :

Temperatures exceeding T_O cause the nOVT output to go active until the temperature is less than T_{HYST} . (Figure 17)

(2) Interrupt Mode:

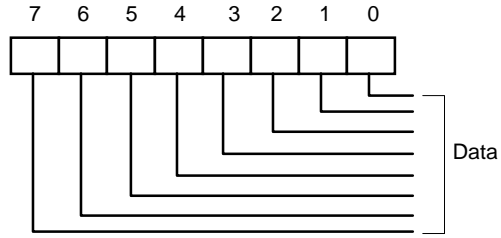
Temperatures exceeding T_O causes the nOVT output to go active indefinitely until reset by reading temperature sensor 2 or sensor 3 registers. If the temperature exceeds T_O , and then nOVT is reset, and then the temperature going below T_{HYST} causes the nOVT to go active until reset by reading temperature sensor2 or sensor 3 registers. Once the nOVT is activated by exceeding T_O , then reset, if the temperature remains above T_{HYST} , the nOVT is not be activated again. (Figure 17).



REGISTERS AND RAM

Address Register (Port x5h)

Data Port: Port x5h
 Power on Default Value: 00h
 Attribute: Bit 6:0 Read/write , Bit 7: Read Only
 Size: 8 bits



Bit7: Read Only

The logical 1 indicates the device is busy due to a Serial Bus transaction or another ISA bus transaction. By checking this bit, multiple ISA drivers can use the MON35W42 without interfering with each other or a Serial Bus driver. It is the user's responsibility not to have a Serial Bus and ISA bus operations at the same time.

This bit is:

Set: with a write to Port x5h or when a Serial Bus transaction is in progress.

Reset: with a write or read from Port x6h if it is set by a write to Port x5h, or when the Serial Bus transaction is finished.

Bit 6-0: Read/Write

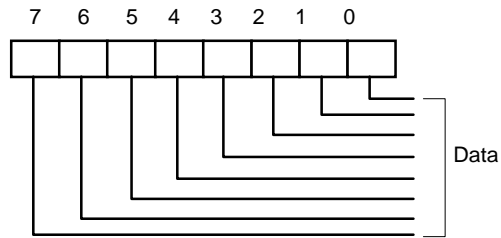
Bit 7	Bit 6	Bit 5	Bit 4	Bit 3	Bit 2	Bit 1	Bit 0
Busy (Power On default 0)	Address Pointer (Power On default 00h)						
	A6	A5	A4	A3	A2	A1	A0

Address Pointer Index (A6-A0)

REGISTERS AND RAM	A6-A0 IN HEX	POWER ON VALUE OF REGISTERS: <k7:0>IN BINARY	NOTES
Configuration Register	40h	00001000	
Interrupt Status Register 1	41h	00000000	Auto-increment to the address of Interrupt Status Register 2 after a read or write to Port x6h.
Interrupt Status Register 2	42h	00000000	
nSMIY Mask Register 1	43h	00000000	Auto-increment to the address of SMIY Mask Register 2 after a read or write to Port x6h.
SMIY Mask Register 2	44h	00000000	
NMI Mask Register 1	45h	00000000	Auto-increment to the address of NMI Mask Register 2 after a read or write to Port x6h
NMI Mask Register 2	46h	01000000	
VID/Fan Divisor Register	47h	<7:4> = 0101; <3:0> = VID3-ID0	
Serial Bus Address Register	48h	<6:0> = 0101101; <7> = 0	
POST RAM	00-1Fh		Auto-increment to the next location after a read or write to Port x6h and stop at 1Fh.
Value RAM	20-3Fh		
Value RAM	60-7Fh		Auto-increment to the next location after a read or write to Port x6h and stop at 7Fh.

Data Register (Port x6h)

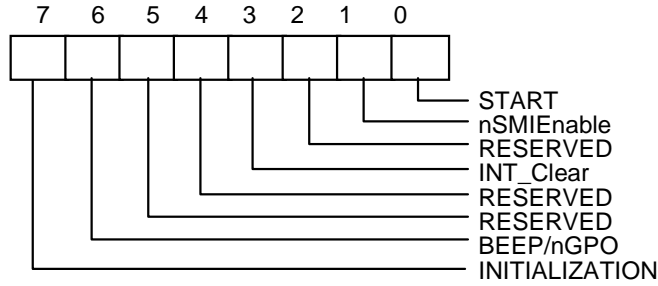
Data Port: Port x6h
 Power on Default Value: 00h
 Attribute: Read/write
 Size: 8 bits



Bit 7-0: Data to be read from or to be written to RAM and Register.

Configuration Register — Index 40h

Register Location: 40h
Power on Default Value 00000001 binary
Attribute: Read/write
Size: 8 bits



Bit 7: A one restores power-on default values to all registers except the Serial Bus Address register.

This bit clears itself since the power on default is zero.

Bit 6: A logical 1 in this bit drives a zero on BEEP/nGPO pin.

Bit 5: Reserved

Bit 4: Reserved

Bit 3: A one disables the nSMI output without affecting the contents of Interrupt Status Registers. The device will stop monitoring. It will resume monitoring upon the clearing of this bit.

Bit 2: Reserved

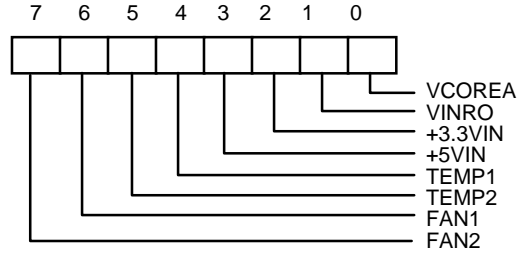
Bit 1: A one enables the nSMI Interrupt output.

Bit 0: A one enables startup of monitoring operations, a zero puts the part in standby mode.

Note: The outputs of Interrupt pins will not be cleared if the user writes a zero to this location after an interrupt has occurred unlike "INT_Clear" bit.

Interrupt Status Register 1— Index 41h

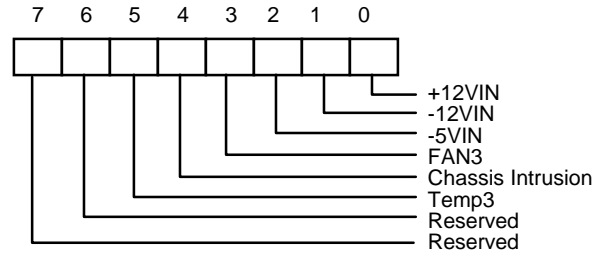
Register Location: 41h
Power on Default Value 00h
Attribute: Read Only
Size: 8 bits



- Bit 7: A one indicates the fan count limit of FAN2 has been exceeded.
- Bit 6: A one indicates the fan count limit of FAN1 has been exceeded.
- Bit 5: A one indicates a High limit of VTIN2 has been exceeded from temperature sensor 2.
- Bit 4: A one indicates a High limit of VTIN1 has been exceeded from temperature sensor 1.
- Bit 3: A one indicates a High or Low limit of +5VIN has been exceeded.
- Bit 2: A one indicates a High or Low limit of +3.3VIN has been exceeded.
- Bit 1: A one indicates a High or Low limit of VINRO has been exceeded.
- Bit 0: A one indicates a High or Low limit of VCOREA has been exceeded.

Interrupt Status Register 2 — Index 42h

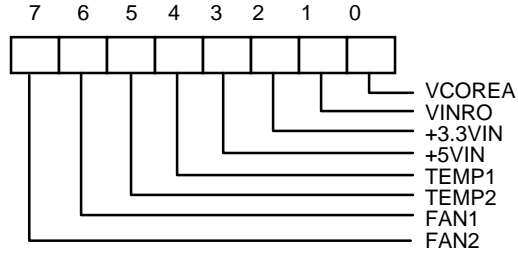
Register Location: 42h
Power on Default Value 00h
Attribute: Read Only
Size: 8 bits



- Bit 7-6: Reserved. This bit should be set to 0.
- Bit 5: A one indicates a High limit of VTIN3 has been exceeded from temperature sensor 3.
- Bit 4: A one indicates Chassis Intrusion has gone high.
- Bit 3: A one indicates the fan count limit of FAN3 has been exceeded.
- Bit 2: A one indicates a High or Low limit of -5VIN has been exceeded.
- Bit 1: A one indicates a High or Low limit of -12VIN has been exceeded.
- Bit 0: A one indicates a High or Low limit of +12VIN has been exceeded.

nSMI Mask Register 1 — Index 43h

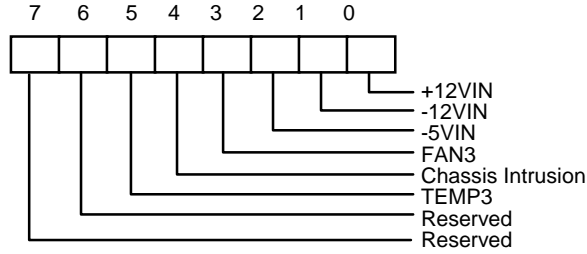
Register Location: 43h
Power on Default Value: 00h
Attribute: Read/Write
Size: 8 bits



Bit 7-0: A one disables the corresponding interrupt status bit for nSMI interrupt.

nSMI Mask Register 2 — Index 44h

Register Location: 44h
Power on Default Value: 00h
Attribute: Read/Write
Size: 8 bits



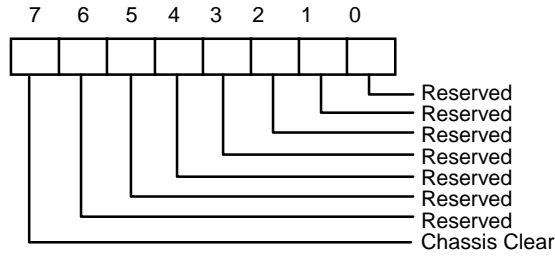
Bit 7-6: Reserved. This bit should be set to 0.

Bit 5-0: A one disables the corresponding interrupt status bit for nSMI interrupt.

Reserved Register — Index 45h

Chassis Clear Register -- Index 46h

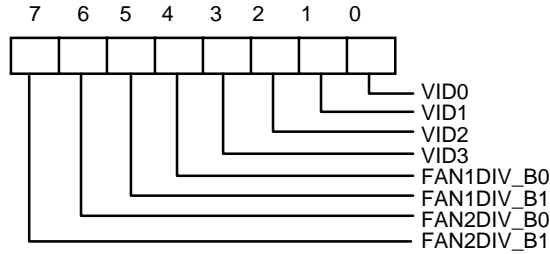
Register Location: 46h
Power on Default Value <7:0> = 00000000 binary
Attribute: Read/Write
Size: 8 bits



Bit 7: Set to 1, clear Chassis Intrusion event. This bit self clears after clearing Chassis Intrusion event.
Bit 6-0:Reserved. This bit should be set to 0.

VID/Fan Divisor Register — Index 47h

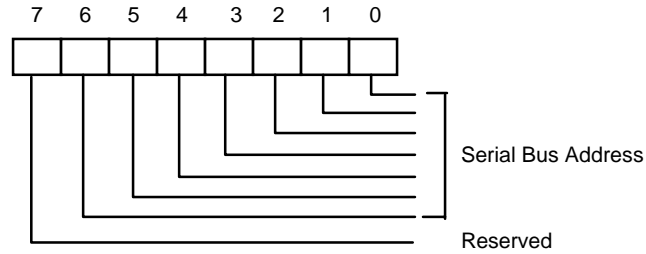
Register Location: 47h
Power on Default Value <7:4> is 0101, <3:0> is mapped to VID<3:0>
Attribute: Read/Write
Size: 8 bits



Bit 7-6: FAN2 Speed Control.
Bit 5-4: FAN1 Speed Control.
Bit 3-0: The VID <3:0> inputs
Note: Please refer to Bank0 CR[5Dh] , Fan divisor table.

Serial Bus Address Register — Index 48h

Register Location: 48h
 Power on Default Value Serial Bus address <6:0> = 0101101 and <7> = 0 binary
 Size: 8 bits



Bit 7: Read Only - Reserved.
 Bit 6-0: Read/Write - Serial Bus address <6:0>

Value RAM — Index 20h- 3Fh or 60h - 7Fh (auto-increment)

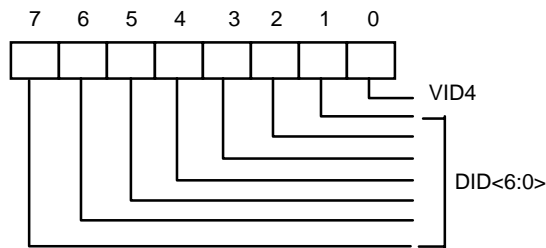
ADDRESS A6-A0	ADDRESS A6-A0 WITH AUTO-INCREMENT	DESCRIPTION
20h	60h	VCOREA reading
21h	61h	VINR0 reading
22h	62h	+3.3VIN reading
23h	63h	+5VIN reading
24h	64h	+12VIN reading
25h	65h	-12VIN reading
26h	66h	-5VIN reading
27h	67h	Temperature reading
28h	68h	FAN1 reading Note: This location stores the number of counts of the internal clock per revolution.
29h	69h	FAN2 reading Note: This location stores the number of counts of the internal clock per revolution.
2Ah	6Ah	FAN3 reading Note: This location stores the number of counts of the internal clock per revolution.
2Bh	6Bh	VCOREA High Limit, default value is defined by Vcore Voltage +0.2v.
2Ch	6Ch	VCOREA Low Limit, default value is defined by Vcore Voltage -0.2v.
2Dh	6Dh	VINR0 High Limit.
2Eh	6Eh	VINR0 Low Limit.
2Fh	6Fh	+3.3VIN High Limit
30h	70h	+3.3VIN Low Limit
31h	71h	+5VIN High Limit
32h	72h	+5VIN Low Limit

ADDRESS A6-A0	ADDRESS A6-A0 WITH AUTO-INCREMENT	DESCRIPTION
33h	73h	+12VIN High Limit
34h	74h	+12VIN Low Limit
35h	75h	-12VIN High Limit
36h	76h	-12VIN Low Limit
37h	77h	-5VIN High Limit
38h	78h	-5VIN Low Limit
39h	79h	Temperature sensor 1 (VTIN1) High Limit
3Ah	7Ah	Temperature sensor 1 (VTIN1) Hysteresis Limit
3Bh	7Bh	FAN1 Fan Count Limit Note: It is the number of counts of the internal clock for the Low Limit of the fan speed.
3Ch	7Ch	FAN2 Fan Count Limit Note: It is the number of counts of the internal clock for the Low Limit of the fan speed.
3Dh	7Dh	FAN3 Fan Count Limit Note: It is the number of counts of the internal clock for the Low Limit of the fan speed.
3E- 3Fh	7E- 7Fh	Reserved

Setting all ones to the high limits for voltages and fans (0111 1111 binary for temperature) means interrupts will never be generated except the case when voltages go below the low limits.

Voltage ID (VID4) & Device ID -- Index 49h

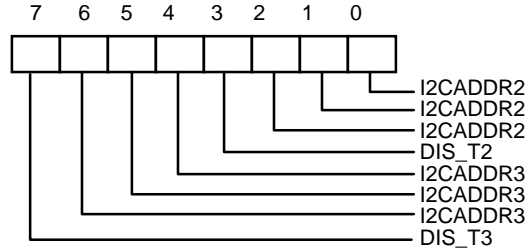
Register Location: 49h
 Power on Default Value <7:1> is 000,0001b
 <0> is mapped to VID <4>
 Size: 8 bits



Bit 7-1: Read Only - Device ID<6:0>
 Bit 0 : Read/Write - The VID4 inputs.

Temperature 2 and Temperature 3 Serial Bus Address Register--Index 4Ah

Register Location: 4Ah
 Power on Default Value <7:0> = 0000,0001 binary. Reset by MR
 Attribute: Read/Write
 Size: 8 bits



Bit 7: Set to 1, disable temperature sensor 3 and can not access any data from Temperature Sensor 3.

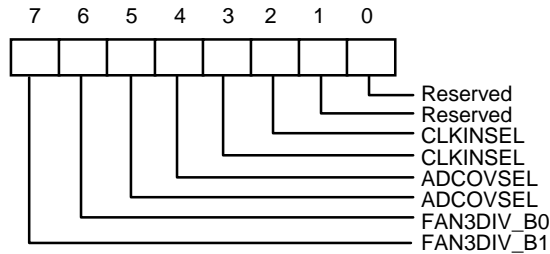
Bit 6-4: Temperature 3 Serial Bus Address. The serial bus address is 1001xxx. Where xxx are defined in these bits.

Bit 3: Set to 1, disable temperature Sensor 2 and can not access any data from Temperature Sensor 2.

Bit 2-0: Temperature 2 Serial Bus Address. The serial bus address is 1001xxx. Where xxx are defined in these bits.

Pin Control Register -- Index4Bh

Register Location: 4Bh
 Power on Default Value <7:0> 44h. Reset by MR.
 Attribute: Read/Write
 Size: 8 bits



Bit 7-6: Fan3 speed divisor.
 Please refer to Bank0 CR[5Dh] , Fan divisor table.

Bit 5-4: Select A/D Converter Clock Input.
 <5:4> = 00 - default. ADC clock select 22.5 kHz.
 <5:4> = 01 - ADC clock select 5.6 kHz. (22.5K/4)
 <5:4> = 10 - ADC clock select 1.4kHz. (22.5K/16)
 <5:4> = 11 - ADC clock select 0.35 kHz. (22.5K/64)

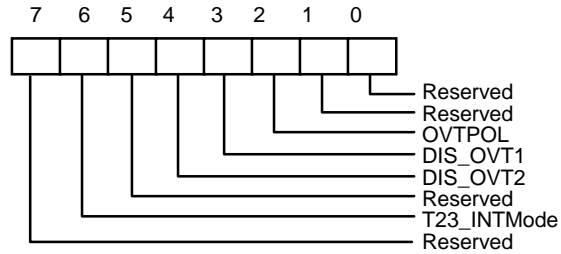
Bit 3-2: Clock Input Select.

- <3:2> = 00 - Pin 3 (CLKIN) select 14.318MHz clock.
- <3:2> = 01 - Default. Pin 3 (CLKIN) select 24MHz clock.
- <3:2> = 10 - Pin 3 (CLKIN) select 48MHz clock .
- <3:2> = 11 - Reserved. Pin 3 no clock input.

Bit 1-0: Reserved. User defined.

nIRQ/nOVT Property Select -- Index 4Ch

Register Location: 4Ch
 Power on Default Value <7:0> --0000,0001. Reset by MR.
 Attribute: Read/Write
 Size: 8 bits



Bit 7: Reserved. User Defined.

Bit6: Set to 1, the nSMI output type of Temperature 2 and 3 is set to Comparator Interrupt mode. Set to 0, the nSMI output type is set to Two-Times Interrupt mode. (default 0)

Bit5: Reserved. User Defined.

Bit 4: Disable temperature sensor 3 over-temperature (OVT) output if set to 1. Default 0, enable OVT2 output through pin nOVT.

Bit 3: Disable temperature sensor 2 over-temperature (OVT) output if set to 1. Default 0, enable OVT1 output through pin nOVT.

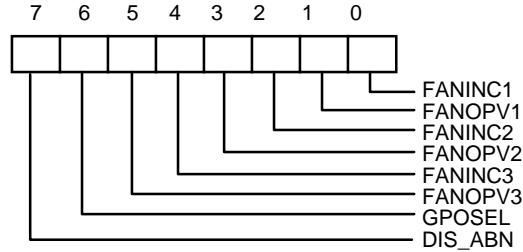
Bit 2: Over-temperature polarity. If this bit is 1, nOVT active high. If this bit is 0, nOVT active low. Default 0.

Bit 1: Reserved. User Defined.

Bit 0: Reserved. User Defined.

FAN IN/OUT and BEEP/nGPO Control Register -- Index 4Dh

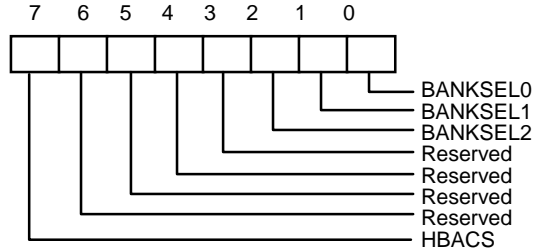
Register Location: 4Dh
Power on Default Value <7:0> 0001,0101. Reset by MR.
Attribute: Read/Write
Size: 8 bits



- Bit 7: Disable power-on abnormal voltage monitoring including V-Core A and +3.3V. If these voltages exceed the limit value, the BEEP pin (Open Drain) will drive a 300Hz or 600Hz frequency signal. If this bit is 1, the frequency will be disable. Default 0. After power on, the system should set 1 to this bit to 1 in order to disable BEEP.
- Bit 6: BEEP/nGPO Pin Function Select. If this bit is 1 Select nGPO function. Set 0, select BEEP function. This bit defaults to 0.
- Bit 5: FAN 3 output value if FANINC3 is set to 0. If this bit is 1, then pin 18 always generate logic high signal. If this bit is 0, pin 18 always generates logic low signal. This bit default 0.
- Bit 4: FAN 3 Input Control. Set to 1, pin 18 acts as FAN clock input, which is default value. Set to 0, this pin 18 acts as FAN control signal and the output value of FAN control is set by this register bit 5. This output pin can connect to power PMOS gate to control FAN ON/OFF.
- Bit 3: FAN 2 output value if FANINC2 sets to 0. If this bit is 1, then pin 19 always generate logic high signal. If this bit is 0, pin 19 always generates logic low signal. This bit default 0.
- Bit 2: FAN 2 Input Control. Set to 1, pin 19 acts as FAN clock input, which is default value. Set to 0, this pin 19 acts as FAN control signal and the output value of FAN control is set by this register bit 3. This output pin can connect to power NMOS gate to control FAN ON/OFF.
- Bit 1: FAN 1 output value if FANINC1 sets to 0. If this bit is 1, then pin 20 always generate logic high signal. If this bit is 0, pin 20 always generates logic low signal. This bit default 0.
- Bit 0: FAN 1 Input Control. Set to 1, pin 20 acts as FAN clock input, which is default value. Set to 0, this pin 20 acts as FAN control signal and the output value of FAN control is set by this register bit 1. This output pin can connect to power PMOS gate to control FAN ON/OFF.

Register 50h ~ 5Fh Bank Select -- Index 4Eh

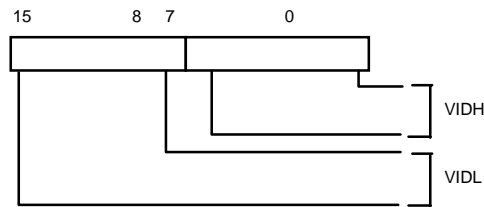
Register Location: 4Eh
Power on Default Value <6:3> = Reserved, <7> = 1, <2:0> = 0. Reset by MR
Attribute: Read/Write
Size: 8 bits



- Bit 7: HBACS- High byte access. Set to 1, access Register 4Fh high byte register. Set to 0, access Register 4Fh low byte register. Default 1.
- Bit 6-3: Reserved. This bit should be set to 0.
- Bit 2-0: Index ports 0x50~0x5F Bank select.

SMSC Vendor ID -- Index 4Fh

Register Location: 4Fh
Power on Default Value <15:0> = 5CA3h
Attribute: Read Only
Size: 16 bits

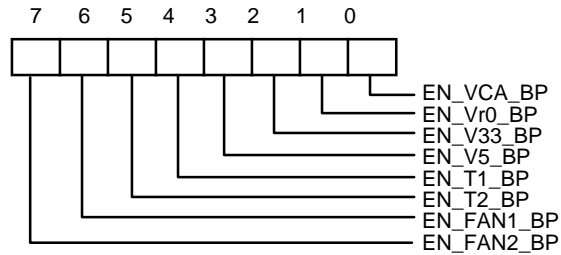


- Bit 15-8: Vendor ID High Byte if CR4E.bit7=1. Default 5Ch.
- Bit 7-0: Vendor ID Low Byte if CR4E.bit7=0. Default A3h.

SMSC Test Register -- Index 50h - 55h (Bank 0)

BEEP Control Register 1-- Index 56h (Bank 0)

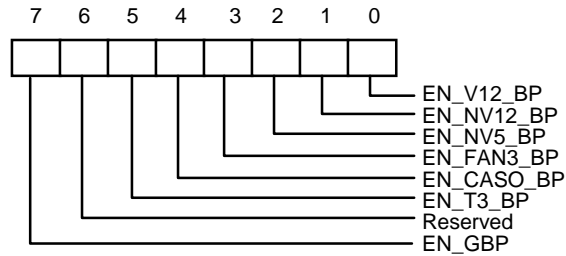
Register Location: 56h
Power on Default Value <7:0> 0000,0000. Reset by MR.
Attribute: Read/Write
Size: 8 bits



- Bit 7: Enable BEEP Output from FAN 2 if the monitor value exceed the limit value. If this bit is 1 (default), enable BEEP output.
- Bit 6: Enable BEEP Output from FAN 1 if the monitor value exceed the limit value. If this bit is 1 (default), enable BEEP output.
- Bit 5: Enable BEEP Output from Temperature Sensor 2 if the monitor value exceed the limit value. If this bit is 1, enable BEEP output. Default 0
- Bit 4: Enable BEEP output for Temperature Sensor 1 if the monitor value exceed the limit value. If this bit is 1, enable BEEP output. Default 0
- Bit 3: Enable BEEP output from VDD (+5V), If this bit is 1, enable BEEP output if the monitor value exceed the limits value. Default 0, disable BEEP output.
- Bit 2: Enable BEEP output from +3.3V. If this bit is 1, enable BEEP output. Default 1.
- Bit 1: Enable BEEP output from VINR0. If this bit is 1, enable BEEP output. Default 1.
- Bit 0: Enable BEEP Output from VCOREA if the monitor value exceeds the limits value. If this bit is 1, enable BEEP output. Default 1.

BEEP Control Register 2-- Index 57h (Bank 0)

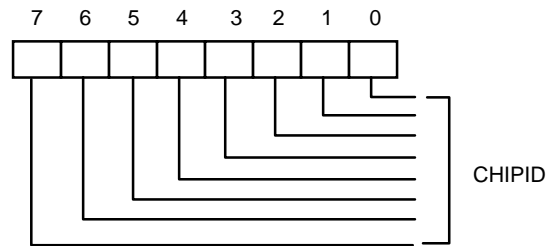
Register Location: 57h
Power on Default Value <7:0> 1000-0000. Reset by MR.
Attribute: Read/Write
Size: 8 bits



- Bit 7: Enable Global BEEP. If this bit is 1, enable global BEEP output. Default 1. If this bit is 0, disable all BEEP outputs.
- Bit 6: Reserved. This bit should be set to 0.
- Bit 5: Enable BEEP Output from Temperature Sensor 3 if the monitor value exceed the limit value. If this bit is 1, enable BEEP output. Default 0
- Bit 4: Enable BEEP output for case open if the monitor value exceed the limit value. If this bit is 1, enable BEEP output. Default 0.
- Bit 3: Enable BEEP Output from FAN 3 if the monitor value exceed the limit value. If this bit is 1, enable BEEP output. Default 0.
- Bit 2: Enable BEEP output from -5V, If this bit is 1, enable BEEP output if the monitor value exceed the limits value. Default 0, disable BEEP output.
- Bit 1: Enable BEEP output from -12V, If this bit is 1, enable BEEP output if the monitor value exceed the limits value. Default 0, disable BEEP output.
- Bit 0: Enable BEEP output from +12V, If this bit is 1, enable BEEP output if the monitor value exceed the limits value. Default 0, disable BEEP output.

Chip ID -- Index 58h (Bank 0)

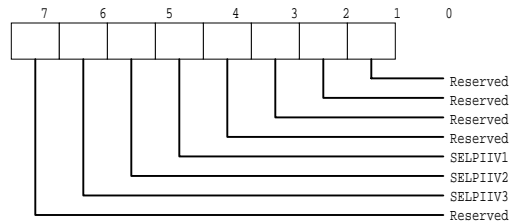
Register Location: 58h
Power on Default Value <7:0> 0011-0000. Reset by MR.
Attribute: Read Only
Size: 8 bits



- Bit 7: SMSC Chip ID number. Read this register will return 30h.

Diode Selection Register -- Index 59h (Bank 0)

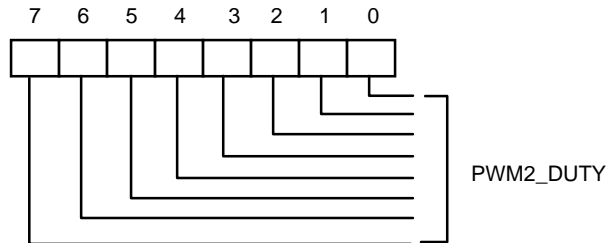
Register Location: 59h
Power on Default Value <7>=0 and <6:4> = 111 and <3:0> = 0000
Attribute: Read/Write
Size: 8 bits



- Bit 7: Reserved
- Bit 6: Temperature sensor diode 3. Set to 1, select Pentium II compatible Diode. Set to 0 to select 2N3904 Bipolar mode.
- Bit 5: Temperature sensor diode 2. Set to 1, select Pentium II compatible Diode. Set to 0 to select 2N3904 Bipolar mode.
- Bit 4: Temperature sensor diode 1. Set to 1, select Pentium II compatible Diode. Set to 0 to select 2N3904 Bipolar mode.
- Bit 3-0: Reserved

PWMOUT2 Control -- Index 5Ah (Bank 0)

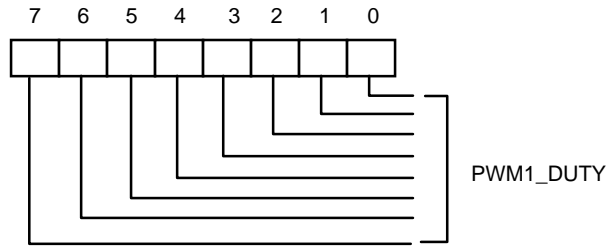
Register Location: 5Ah
Power on default value: <7:0> 1111-1111. Reset by MR.
Attribute: Read/Write
Size: 8 bits



- Bit 7: PWMOUT2 duty cycle control
If this is FF, Duty cycle is 100%, If this is 00, Duty cycle is 0%.

PWMOUT1 Control -- Index 5Bh (Bank 0)

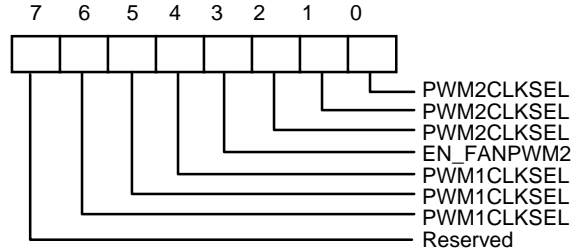
Register Location: 5Bh
Power on default value: <7:0> 1111-1111. Reset by MR.
Attribute: Read/Write
Size: 8 bits



Bit 7: PWMOUT1 duty cycle control
If this is FF, Duty cycle is 100%,
If this is 00, Duty cycle is 0%.

PWMOUT1/2 Clock Select -- Index 5Ch (Bank 0)

Register Location: 5Ch
Power on Default Value <7:0> 0001-0001. Reset by MR.
Attribute: Read/Write
Size: 8 bits



Bit 7: Reserved

Bit 6-4: PWMOUT1 clock selection.

The clock frequency definition is the same as PWMOUT2 clock selection.

Bit 3: Set to 1. Enable PWMOUT2 PWM Control

Bit 2-0: PWMOUT2 clock Selection.

<2:0> = 000: 46.87KHz

<2:0> = 001: 23.43KHz (Default)

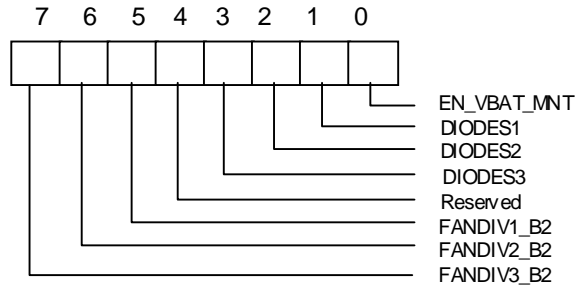
<2:0> = 010: 11.72KHz

<2:0> = 011: 5.85KHz

<2:0> = 100: 2.93KHz

VBAT Monitor Control Register -- Index 5Dh (Bank 0)

Register Location: 5Dh
Power on Default Value <7:0> 0000-0000. Reset by MR.
Attribute: Read/Write
Size: 8 bits



Bit 7: Fan3 divisor Bit 2.

Bit 6: Fan2 divisor Bit 2.

Bit 5: Fan1 divisor Bit 2.

Bit 4: Reserved.

Bit 3: Temperature sensor 3 select into thermal diode such as Pentium II CPU supported. Set to 1, select bipolar sensor. Set to 0, select thermistor sensor.

Bit 2: Sensor 2 type selection. Defined as DIODES3 described in the bit 3.

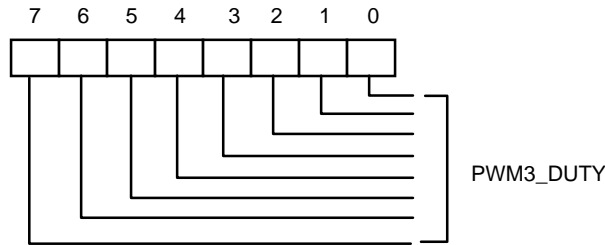
Bit 1: Sensor 1 type selection. Defined as DIODES2 described in the bit 3. Bit 0: Set to 1, enable battery voltage monitor. Set to 0, disable battery voltage monitor. If enabled, the monitor value is after one monitor cycle. Note that the monitor cycle time is at least 300ms for MON35W42.

FAN DIVISOR TABLE

Bit 2	Bit 1	Bit 0	Fan Divisor	Bit 2	Bit 1	Bit 0	Fan Divisor
0	0	0	1	1	0	0	16
0	0	1	2	1	0	1	32
0	1	0	4	1	1	0	64
0	1	1	8	1	1	1	128

PWMOUT3 Control -- Index 5Eh (Bank 0)

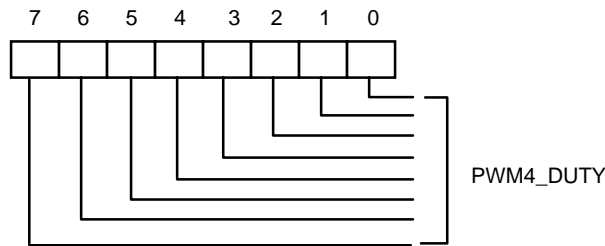
Register Location: 5Eh
 Power on Default Value <7:0> 1111-1111. Reset by MR.
 Attribute: Read/Write
 Size: 8 bits



Bit 7: PWMOUT3 duty cycle control
 If this is FF, Duty cycle is 100%,
 If this is 00, Duty cycle is 0%.

PWMOUT4 Control -- Index 5Fh (Bank 0)

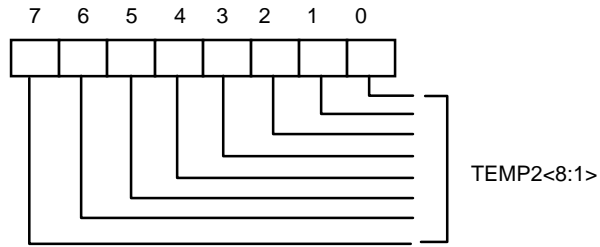
Register Location: 5Fh
 Power on Default Value <7:0> 1111-1111. Reset by MR.
 Attribute: Read Only
 Size: 8 bits



Bit 7: PWMOUT4 duty cycle control
 If this is FF, Duty cycle is 100%,
 If this is 00, Duty cycle is 0%.

Temperature Sensor 2 Temperature (High Byte) Register - Index 50h (Bank 1)

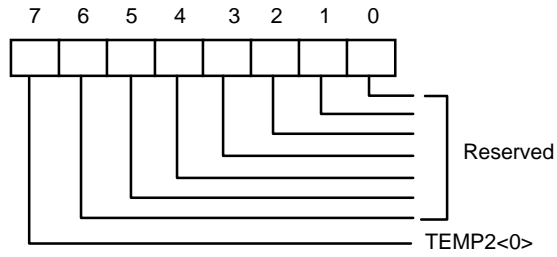
Register Location: 50h
Attribute: Read Only
Size: 8 bits



Bit 7: Temperature <8:1> of sensor 2, which is high byte.

Temperature Sensor 2 Temperature (Low Byte) Register - Index 51h (Bank 1)

Register Location: 51h
Attribute: Read Only
Size: 8 bits

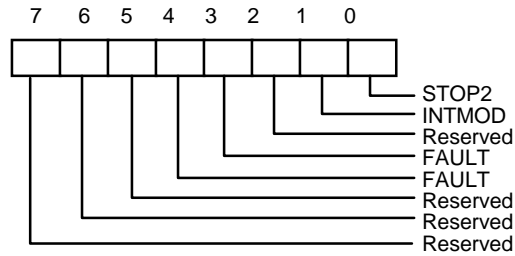


Bit 7: Temperature <0> of sensor2, which is low byte.

Bit 6-0: Reserved. This bit should be set to 0.

Temperature Sensor 2 Configuration Register - index 52h (Bank 1)

Register Location: 52h
Power on Default Value <7:0> = 0x00
Size: 8 bits



Bit 7-5: Read - Reserved. This bit should be set to 0.

Bit 4-3: Read/Write - Number of faults to detect before setting nOVT output to avoid false tripping due to noise.

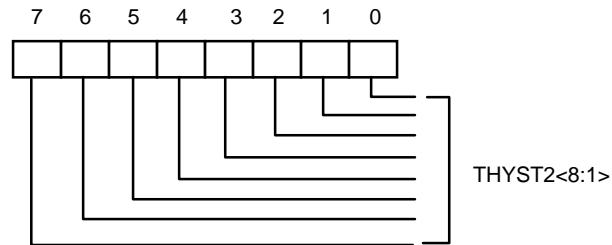
Bit 2: Read - Reserved. This bit should be set to 0.

Bit 1: Read/Write - nOVT Interrupt mode select. This bit default is set to 0, which is compared mode. When set to 1, interrupt mode will be selected.

Bit 0: Read/Write - When set to 1 the sensor will stop monitoring.

Temperature Sensor 2 Hysteresis (High Byte) Register - Index 53h (Bank 1)

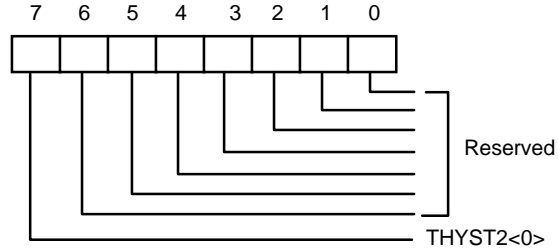
Register Location: 53h
Power on Default Value <7:0> = 0x4B
Attribute: Read/Write
Size: 8 bits



Bit 7-0: Temperature hysteresis bit 8-1, which is High Byte. The temperature default 75 degree C.

Temperature Sensor 2 Hysteresis (Low Byte) Register - Index 54h (Bank 1)

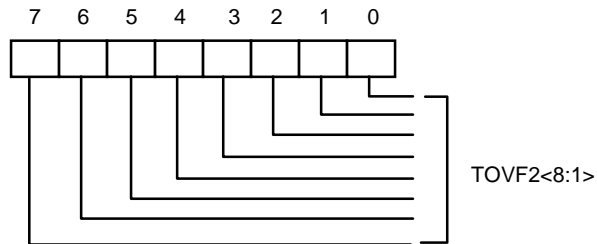
Register Location: 54h
Power on Default Value <7:0> = 0x0
Attribute: Read Only
Size: 8 bits



Bit 7: Temperature hysteresis bit 0, which is low Byte.
Bit 6-0: Reserved. This bit should be set to 0.

Temperature Sensor 2 Over-temperature (High Byte) Register - Index 55h (Bank 1)

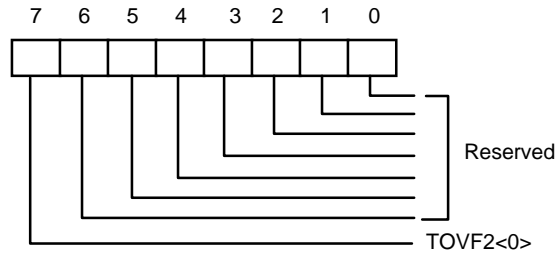
Register Location: 55h
Power on Default Value <7:0> = 0x50
Attribute: Read/Write
Size: 8 bits



Bit 7-0: Over-temperature bit 8-1, which is High Byte. The temperature default 80 degree C.

Temperature Sensor 2 Over-temperature (Low Byte) Register - Index 56h (Bank 1)

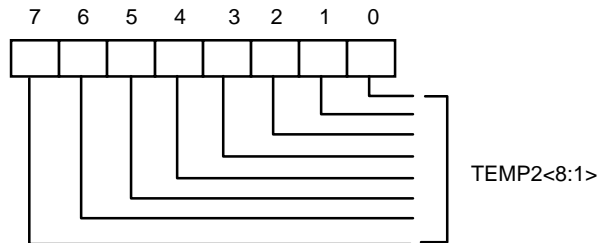
Register Location: 56h
Power on Default Value <7:0> = 0x0
Size: 8 bits



Bit 7: Read/Write - Over-temperature bit 0, which is low Byte.
Bit 6-0: Read Only - Reserved. This bit should be set to 0.

Temperature Sensor 3 Temperature (High Byte) Register - Index 50h (Bank 2)

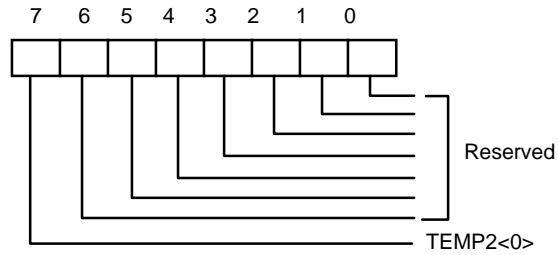
Register Location: 50h
Attribute: Read Only
Size: 8 bits



Bit 7-0: Temperature <8:1> of sensor 2, which is high byte.

Temperature Sensor 3 Temperature (Low Byte) Register - Index 51h (Bank 2)

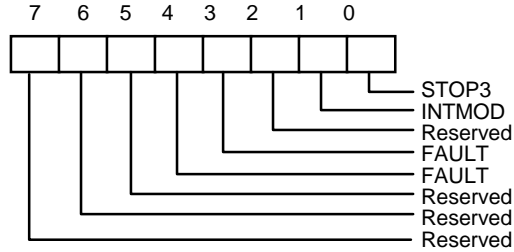
Register Location: 51h
Attribute: Read Only
Size: 8 bits



Bit 7: Temperature <0> of sensor2, which is low byte.
Bit 6-0: Reserved. This bit should be set to 0.

Temperature Sensor 3 Configuration Register - Index 52h (Bank 2)

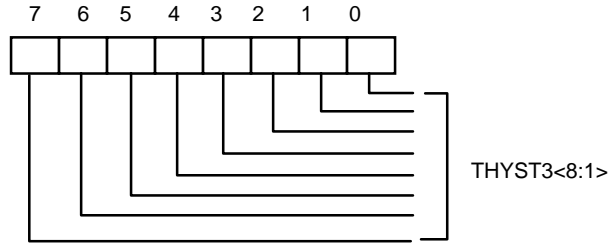
Register Location: 52h
 Power on Default Value <7:0> = 0x00
 Size: 8 bits



- Bit 7-5: Read - Reserved. This bit should be set to 0.
- Bit 4-3: Read/Write - Number of faults to detect before setting nOVT output to avoid false tripping due to noise.
- Bit 2: Read - Reserved. This bit should be set to 0.
- Bit 1: Read/Write - nOVT Interrupt Mode select. This bit default is set to 0, which is Compared Mode. When set to 1, Interrupt Mode will be selected.
- Bit 0: Read/Write - When set to 1 the sensor will stop monitoring.

Temperature Sensor 3 Hysteresis (High Byte) Register - Index 53h (Bank 2)

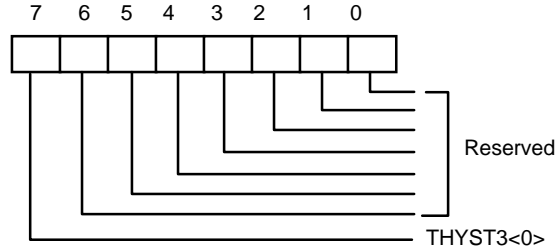
Register Location: 53h
 Power on Default Value <7:0> = 0x4B
 Attribute: Read/Write
 Size: 8 bits



Bit 7-0: Temperature hysteresis bit 8-1, Bit 8 is the MSB. The temperature default 75 degree C.

Temperature Sensor 3 Hysteresis (Low Byte) Register - Index 54h (Bank 2)

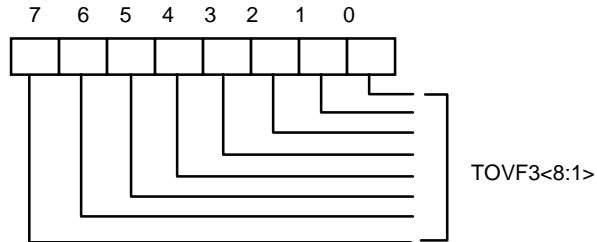
Register Location: 54h
Power on Default Value <7:0> = 0x0
Attribute: Read Only
Size: 8 bits



Bit 7: Temperature hysteresis bit 0, this is the LSB.
Bit 6-0: Reserved. This bit should be set to 0.

Temperature Sensor 3 Over-temperature (High Byte) Register - Index 55h (Bank 2)

Register Location: 55h
Power on Default Value <7:0> = 0x50
Attribute: Read/Write
Size: 8 bits



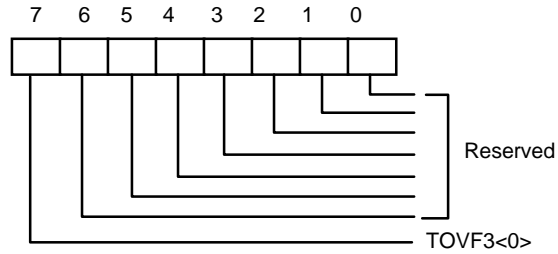
Bit 7-0: Over-temperature bit 8-1, bit 8 is the MSB. The temperature default 80 degree C.

Temperature Sensor 3 Over-temperature (Low Byte) Register - Index 56h(Bank 2)

Register Location: 56h

Power on Default Value <7:0> = 0x0

Size: 8 bits



Bit 7: Read/Write - Over-temperature bit 0, this is the LSB.

Bit 6-0: Read Only - Reserved. This bit should be set to 0.

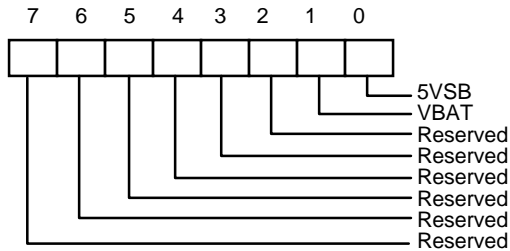
Interrupt Status Register 3 -- Index 50h (BANK4)

Register Location: 50h

Power on Default Value <7:0> = 00h

Attribute: Read Only

Size: 8 bits



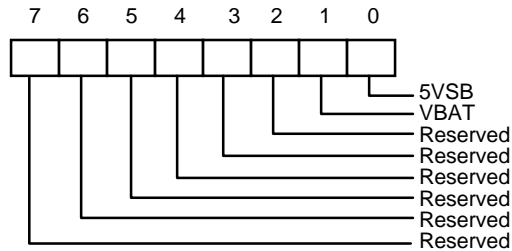
Bit 7-2: Reserved.

Bit 1: A one indicates a High or Low limit of VBAT has been exceeded.

Bit 0: A one indicates a High or Low limit of 5VSB has been exceeded.

nSMI Mask Register 3 -- Index 51h (BANK 4)

Register Location: 51h
Power on Default Value <7:0> = 0000,0000h
Attribute: Read/Write
Size: 8 bits



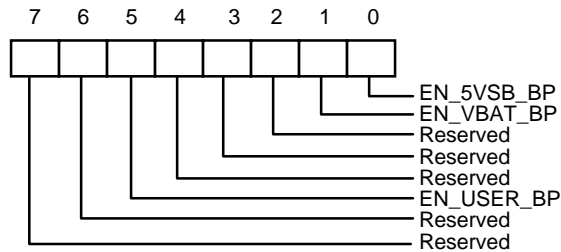
Bit 7-2: Reserved.

Bit 1: A one disables the corresponding interrupt status bit for nSMI interrupt.

Bit 0: A one disables the corresponding interrupt status bit for nSMI interrupt.

BEEP Control Register 3-- Index 53h (Bank 4)

Register Location: 53h
Power on Default Value <7:0> 0000,0000. Reset by MR.
Attribute: Read/Write
Size: 8 bits



Bit 7-6: Reserved.

Bit 5: User define BEEP output function. If this bit is 1, the BEEP is always active. If this bit is 0, this function is inactive. (Default 0)

Bit 4-2: Reserved.

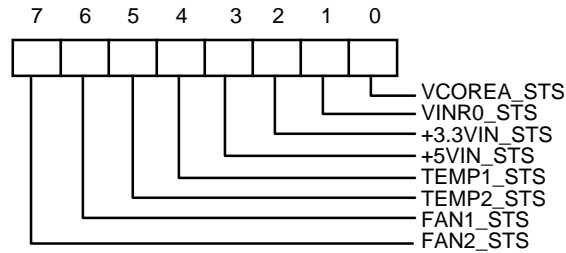
Bit 1: Enable BEEP output from VBAT. If this bit is 1, enable BEEP output, which is default value.

Bit 0: Enable BEEP Output from 5VSB. If this bit is 1, enable BEEP output, which is default value.

Reserved Register -- Index 54h--58h

Real Time Hardware Status Register I -- Index 59h (*Bank 4*)

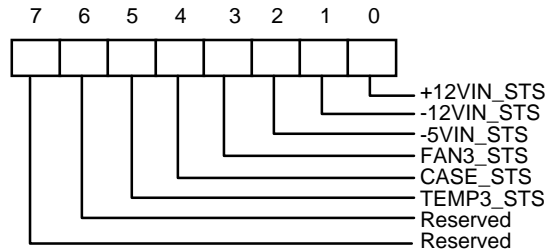
Register Location: 59h
Power on Default Value <7:0> 0000,0000. Reset by MR.
Attribute: Read Only
Size: 8 bits



- Bit 7: FAN 2 Status. Set 1, the fan speed counter is over the limit value. Set 0, the fan speed counter is in the limit range.
- Bit 6: FAN 1 Status. Set 1, the fan speed counter is over the limit value. Set 0, the fan speed counter is in the limit range.
- Bit 5: Temperature sensor 2 Status. Set 1, the voltage of temperature sensor is over the limit value. Set 0, the voltage of temperature sensor is in the limit range.
- Bit 4: Temperature sensor 1 Status. Set 1, the voltage of temperature sensor is over the limit value. Set 0, the voltage of temperature sensor is in the limit range.
- Bit 3: +5V Voltage Status. Set 1, the voltage of +5V is over the limit value. Set 0, the voltage of +5V is in the limit range.
- Bit 2: +3.3V Voltage Status. Set 1, the voltage of +3.3V is over the limit value. Set 0, the voltage of +3.3V is in the limit range.
- Bit 1: VINR0 Voltage Status. Set 1, the voltage of VINR0 is over the limit value. Set 0, the voltage of VINR0 is in the limit range.
- Bit 0: VCOREA Voltage Status. Set 1, the voltage of VCORE A is over the limit value. Set 0, the voltage of VCORE A is in the limit range.

Real Time Hardware Status Register II -- Index 5Ah (Bank 4)

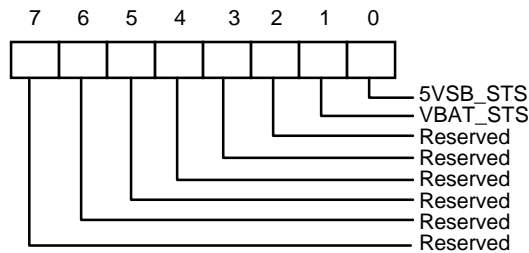
Register Location: 5Ah
Power on Default Value <7:0> 0000,0000. Reset by MR.
Attribute: Read Only
Size: 8 bits



- Bit 7-6: Reserved
- Bit 5: Temperature sensor 3 Status. Set 1, the voltage of temperature sensor is over the limit value. Set 0, the voltage of temperature sensor is in the limit range.
- Bit 4: Case Open Status. Set 1, the case open sensor is sensed the high value. Set 0
- Bit 3: FAN3 Voltage Status. Set 1, the fan speed counter is over the limit value. Set 0, the fan speed counter is during the limit range.
- Bit 2: -5V Voltage Status. Set 1, the voltage of -5V is over the limit value. Set 0, the voltage of -5V is during the limit range.
- Bit 1: -12V Voltage Status. Set 1, the voltage of -12V is over the limit value. Set 0, the voltage of -12V is during the limit range.
- Bit 0: +12V Voltage Status. Set 1, the voltage of +12V is over the limit value. Set 0, the voltage of +12V is in the limit range.

Real Time Hardware Status Register III -- Index 5Bh (Bank 4)

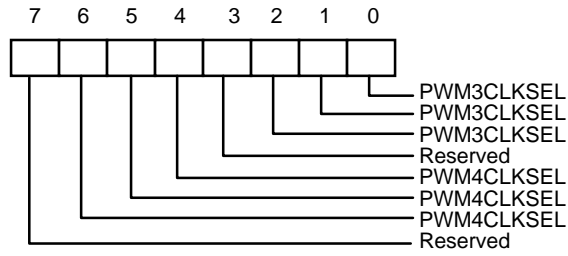
Register Location: 5Bh
Power on Default Value <7:0> = 0000,0000h
Attribute: Read Only
Size: 8 bits



- Bit 7-2: Reserved.
- Bit 1: VBAT Voltage Status. Set 1, the voltage of VBAT is over the limit value. Set 0, the voltage of VBAT is in the limit range.
- Bit 0: 5VSB Voltage Status. Set 1, the voltage of 5VSB is over the limit value. Set 0, the voltage of 5VSB is in the limit range.

PWMOUT3/4 Clock Select -- Index 5Ch (Bank 4)

Register Location: 5Ch
 Power on Default Value <7:0> 0001,0001. Reset by MR.
 Attribute: Read/Write
 Size: 8 bits



Bit 7: Reserved.

Bit 6-4: PWMOUT4 clock selection.

The clock frequency definition is same as PWMOUT3 clock selection.

Bit 3: Reserved.

Bit 2-0: PWMOUT3 clock Selection.

<2:0> = 000: 46.87KHz

<2:0> = 001: 23.43KHz (Default)

<2:0> = 010: 11.72KHz

<2:0> = 011: 5.85KHz

<2:0> = 100: 2.93KHz

Value RAM 2— Index 50h - 5Ah (auto-increment) (BANK 5)

ADDRESS A6-A0 AUTO-INCREMENT	DESCRIPTION
50h	5VSB reading
51h	VBAT reading
52h	Reserved
53h	Reserved
54h	5VSB High Limit
55h	5VSB Low Limit.
56h	VBAT High Limit
57h	VBAT Low Limit

SMSC Test Register - Index 50h (Bank 6)

SPECIFICATIONS

Absolute Maximum Ratings

PARAMETER	RATING	UNIT
Power Supply Voltage	-0.5 to 7.0	V
Input Voltage	-0.5 to VDD+0.5	V
Operating Temperature	0 to +70	°C
Storage Temperature	-55 to +150	°C

Note: Exposure to conditions beyond those listed under Absolute Maximum Ratings may adversely affect the life and reliability of the device.

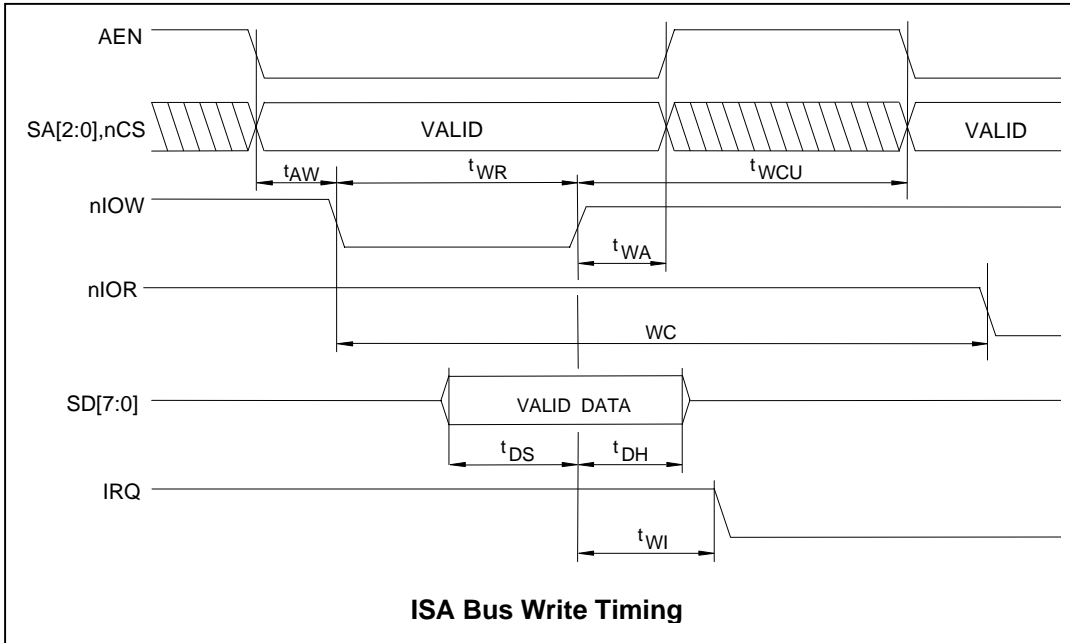
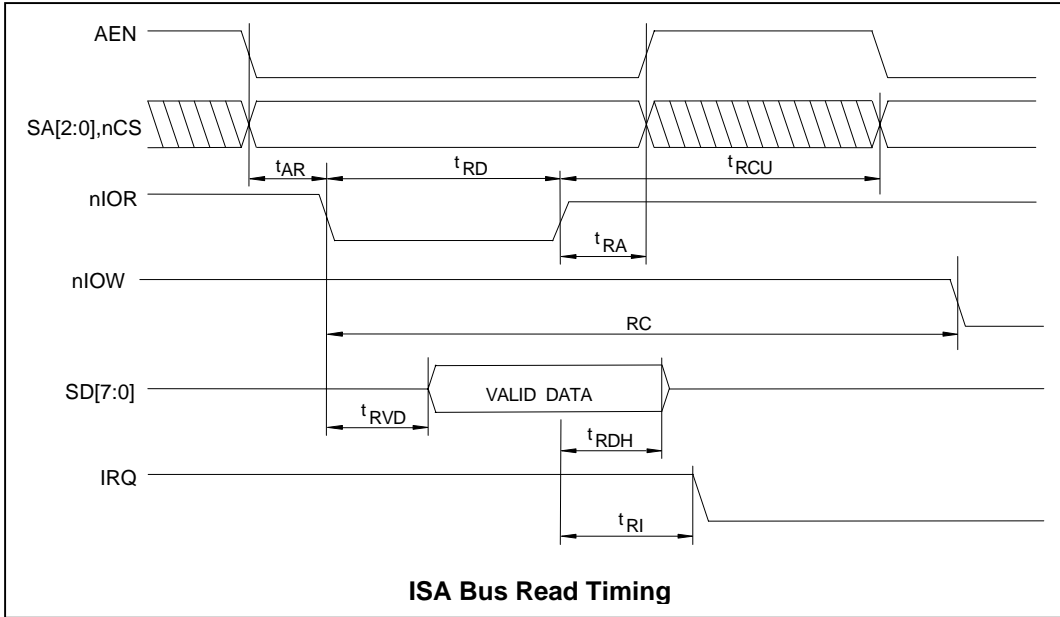
DC Characteristics

(Ta = 0° C to 70° C, VDD = 5V ± 10%, VSS = 0V)

PARAMETER	SYM.	MIN.	TYP.	MAX.	UNIT	CONDITIONS
I/O_{12t} - TTL level bi-directional pin with source-sink capability of 12 mA						
Input Low Voltage	VIL			0.8	V	
Input High Voltage	VIH	2.0			V	
Output Low Voltage	VOL			0.4	V	IOL = 12 mA
Output High Voltage	VOH	2.4			V	IOH = - 12 mA
Input High Leakage	ILIH			+10	μA	VIN = VDD
Input Low Leakage	ILIL			-10	μA	VIN = 0V
I/O_{12ts} - TTL level bi-directional pin with source-sink capability of 12 mA and schmitt-trigger level input						
Input Low Threshold Voltage	Vt-	0.5	0.8	1.1	V	VDD = 5 V
Input High Threshold Voltage	Vt+	1.6	2.0	2.4	V	VDD = 5 V
Hysteresis	VTH	0.5	1.2		V	VDD = 5 V
Output Low Voltage	VOL			0.4	V	IOL = 12 mA
Output High Voltage	VOH	2.4			V	IOH = - 12 mA
Input High Leakage	ILIH			+10	μA	VIN = VDD
Input Low Leakage	ILIL			-10	μA	VIN = 0V
OUT_{12t} - TTL level output pin with source-sink capability of 12 mA						
Output Low Voltage	VOL			0.4	V	IOL = 12 mA
Output High Voltage	VOH	2.4			V	IOH = -12 mA
OD₈ - Open-drain output pin with sink capability of 8 mA						
Output Low Voltage	VOL			0.4	V	IOL = 8 mA
OD₁₂ - Open-drain output pin with sink capability of 12 mA						
Output Low Voltage	VOL			0.4	V	IOL = 12 mA
OD₄₈ - Open-drain output pin with sink capability of 48 mA						
Output Low Voltage	VOL			0.4	V	IOL = 48 mA
IN_t - TTL level input pin						
Input Low Voltage	VIL			0.8	V	

PARAMETER	SYM.	MIN.	TYP.	MAX.	UNIT	CONDITIONS
Input High Voltage	VIH	2.0			V	
Input High Leakage	ILIH			+10	μ A	VIN = VDD
Input Low Leakage	ILIL			-10	μ A	VIN = 0 V
IN_{ts} - TTL level Schmitt-triggered input pin						
Input Low Threshold Voltage	Vt-	0.5	0.8	1.1	V	VDD = 5 V
Input High Threshold Voltage	Vt+	1.6	2.0	2.4	V	VDD = 5 V
Hysteresis	VTH	0.5	1.2		V	VDD = 5 V
Input High Leakage	ILIH			+10	μ A	VIN = VDD
Input Low Leakage	ILIL			-10	μ A	VIN = 0 V

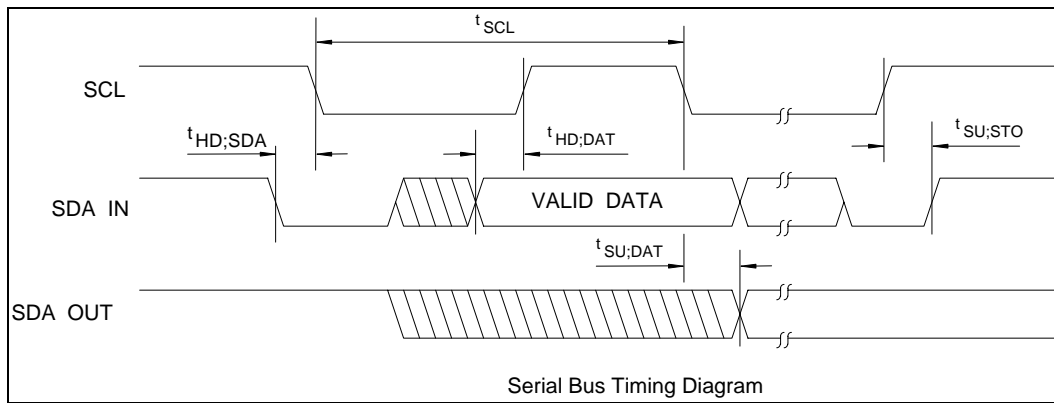
AC CHARACTERISTICS
ISA Read/Write Interface Timing



ISA Read/Write Timing

PARAMETER	SYMBOL	MIN.	MAX.	UNIT
Valid Address to Read Active	t_{AR}	10		nS
Valid Address to Write Active	t_{AW}	10		nS
Data Hold	t_{DH}	5		nS
Data Setup	t_{DS}	80		nS
Address Hold from Inactive Read	t_{RA}	40		nS
Read Cycle Update	t_{RCU}	200		nS
Read Strobe Width	t_{RD}	120		nS
Read Data Hold	t_{RDH}	40		nS
Read Strobe to Clear IRQ	t_{RI}		60	nS
Active Read to Valid Data	t_{RVD}		115	nS
Address Hold from Inactive Write	t_{WA}	5		nS
Write Cycle Update	t_{WCU}	80		nS
Write Strobe to Clear IRQ	t_{WI}		60	nS
Write Strobe Width	t_{WR}	120		nS
Read Cycle = $t_{AR} + t_{RD} + t_{RCV}$	RC	210		nS
Write Cycle = $t_{AW} + t_{WR} - t_{WCV}$	WC	210		nS

Serial Bus Timing Diagram

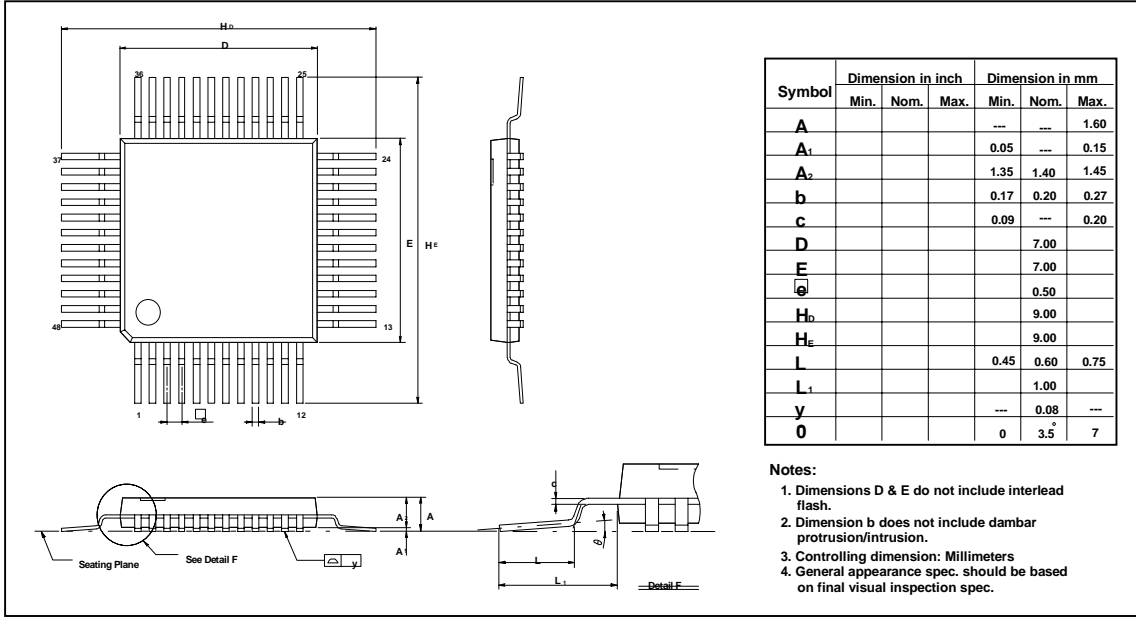


Serial Bus Timing

PARAMETER	SYMBOL	MIN.	MAX.	UNIT
SCL clock period	t_{SCL}	10		uS
Start condition hold time	$t_{HD;SDA}$	4.7		uS
Stop condition setup-up time	$t_{SU;STO}$	4.7		uS
DATA to SCL setup time	$t_{SU;DAT}$	120		nS
DATA to SCL hold time	$t_{HD;DAT}$	5		nS
SCL and SDA rise time	t_R		1.0	uS
SCL and SDA fall time	t_F		300	nS

PACKAGE DIMENSIONS

(48 Pin TQFP)



MON35W42 REVISIONS

PAGE(S)	SECTION/FIGURE/ENTRY	CORRECTION	DATE REVISED
39	Diode Selection Register -- Index 59h (Bank 0)	Added the content of Diode Selection Register Index 59h (Bank 0)	04/19/00
41	VBAT Monitor Control Register -- Index 5Dh (<i>Bank 0</i>)	Modified VBAT Monitor Control Resgister Index 5Dh (Bank 0)	04/19/00
N/A	Original Release	-----	01/12/99

© STANDARD MICROSYSTEMS CORPORATION (SMSC) 2000



80 Arkay Drive
Hauppauge, NY 11788
(631) 435-6000
FAX (631) 273-3123

Standard Microsystems is a registered trademark of Standard Microsystems Corporation, and SMSC is a trademark of Standard Microsystems Corporation. Pentium is a registered trademark of Intel Corporation. Product names and company names are the trademarks of their respective holders. Circuit diagrams utilizing SMSC products are included as a means of illustrating typical applications; consequently complete information sufficient for construction purposes is not necessarily given. Although the information has been checked and is believed to be accurate, no responsibility is assumed for inaccuracies. SMSC reserves the right to make changes to specifications and product descriptions at any time without notice. Contact your local SMSC sales office to obtain the latest specifications before placing your product order. The provision of this information does not convey to the purchaser of the semiconductor devices described any licenses under the patent rights of SMSC or others. All sales are expressly conditional on your agreement to the terms and conditions of the most recently dated version of SMSC's standard Terms of Sale Agreement dated before the date of your order (the "Terms of Sale Agreement"). The product may contain design defects or errors known as anomalies which may cause the product's functions to deviate from published specifications. Anomaly sheets are available upon request. SMSC products are not designed, intended, authorized or warranted for use in any life support or other application where product failure could cause or contribute to personal injury or severe property damage. Any and all such uses without prior written approval of an Officer of SMSC and further testing and/or modification will be fully at the risk of the customer. Copies of this document or other SMSC literature, as well as the Terms of Sale Agreement, may be obtained by visiting SMSC's website at <http://www.smsc.com>.

SMSC DISCLAIMS AND EXCLUDES ANY AND ALL WARRANTIES, INCLUDING WITHOUT LIMITATION ANY AND ALL IMPLIED WARRANTIES OF MERCHANTABILITY, FITNESS FOR A PARTICULAR PURPOSE, TITLE, AND AGAINST INFRINGEMENT, AND ANY AND ALL WARRANTIES ARISING FROM ANY COURSE OF DEALING OR USAGE OF TRADE.

IN NO EVENT SHALL SMSC BE LIABLE FOR ANY DIRECT, INCIDENTAL, INDIRECT, SPECIAL, PUNITIVE, OR CONSEQUENTIAL DAMAGES, OR FOR LOST DATA, PROFITS, SAVINGS OR REVENUES OF ANY KIND; REGARDLESS OF THE FORM OF ACTION, WHETHER BASED ON CONTRACT, TORT, NEGLIGENCE OF SMSC OR OTHERS, STRICT LIABILITY, BREACH OF WARRANTY, OR OTHERWISE; WHETHER OR NOT ANY REMEDY IS HELD TO HAVE FAILED OF ITS ESSENTIAL PURPOSE; AND WHETHER OR NOT SMSC HAS BEEN ADVISED OF THE POSSIBILITY OF SUCH DAMAGES.

MON35W42 Rev. 04/19/2000