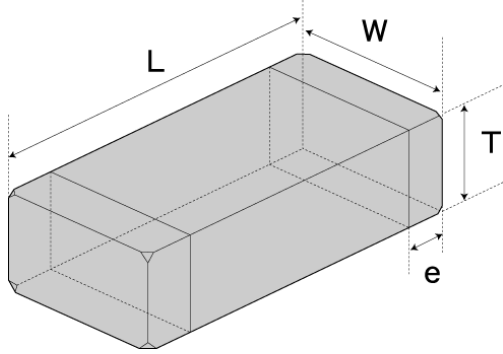


Standard Multilayer Ceramic Capacitors (Temperature compensating type)

UMK063CG080DT-F



■ Features

- Item Summary
50V, COG, 8pF, -0.5pF to 0.5pF, 0201
- Lifecycle Stage
Mass Production
- Standard packaging quantity (minimum)
Taping paper 15000pcs

■ Products characteristics table

CaseSize (EIA/JIS)	0201/0603
Rated Voltage (max)	50V
Capacitance	8pF
Capacitance Tolerance	-0.5pF to 0.5pF
Resistance	10,000 MΩ min.
Q (min)	560
Temperature Characteristics (EIA/JIS)	COG/CG
Temperature Range (EIA/JIS)	-55 to +125°C/-55 to +125°C
RoHS Compliance	Yes
Halogen Free	Yes
Soldering Method	Reflow

■ External Dimensions

L	0.6mm ±0.03
W	0.3mm ±0.03
T	0.3mm ±0.03
e	0.15mm ±0.05

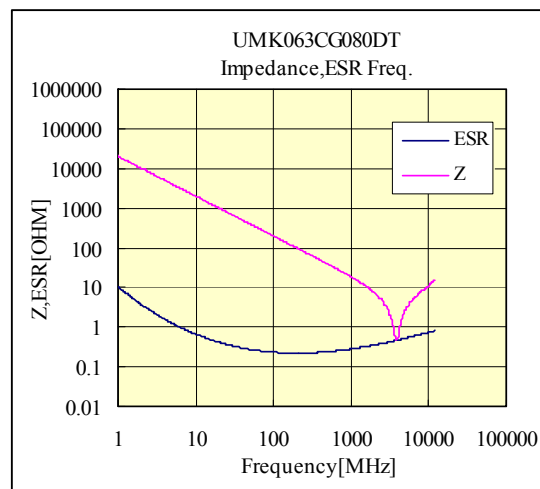
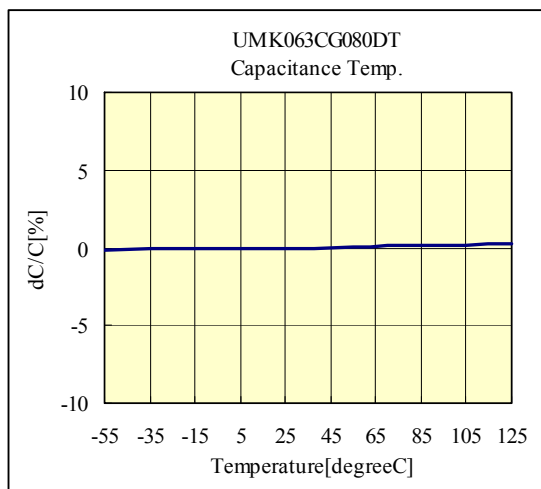
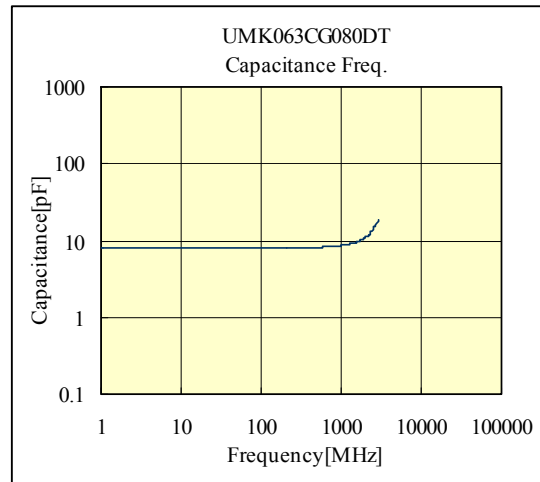
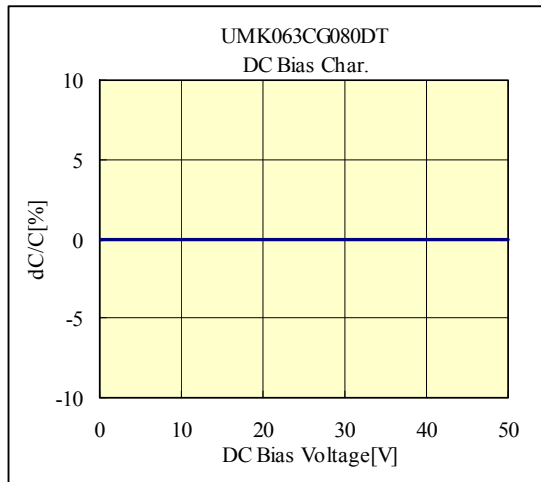
2014.12.22

The data is reference only. Electrical characteristics vary depending on environment or measurement condition.
 TAIYO YUDEN reserves the right to make change to the Date at any time without notice.
 Before making final selection, please check product specification.

○UMK063CG080DT

50V 0603 CG/C0G 8pF +/- 0.5pF t=0.33mmMAX

50V 0201 CG/C0G 8pF +/- 0.5pF t=0.013inchMAX



部品特性は設置環境、測定条件等により変化する場合があります。本データをご使用される際は実際の製品特性に対する参考データとしてご利用ください。また、本データは予告無く追加・削除及び変更を行う場合があります。ご注文の際は、納入仕様書のご確認をお願いします。

The data is reference only. Electrical characteristics vary depending on environment or measurement condition.
TAIYO YUDEN reserves the right to make change to the Date at any time without notice.
Before making final selection, please check product specification