

N-channel 600 V, 0.110  $\Omega$  typ., 24 A MDmesh™ DM2  
Power MOSFET in D<sup>2</sup>PAK, TO-220 and TO-247 packages

Datasheet - production data

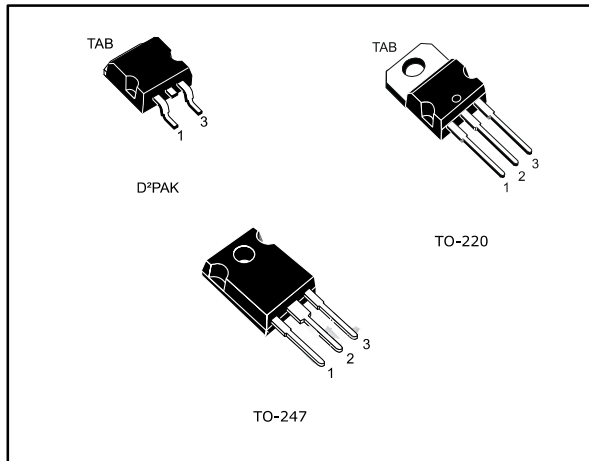
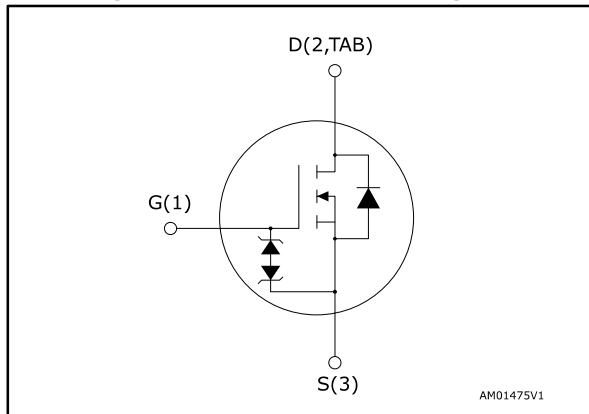


Figure 1: Internal schematic diagram



## Features

Order code	V <sub>DS</sub> @ T <sub>Jmax.</sub>	R <sub>DS(on)</sub> max.	I <sub>D</sub>
STB33N60DM2	650 V	0.130 $\Omega$	24 A
STP33N60DM2	650 V	0.130 $\Omega$	24 A
STW33N60DM2	650 V	0.130 $\Omega$	24 A

- Fast-recovery body diode
- Extremely low gate charge and input capacitance
- Low on-resistance
- 100% avalanche tested
- Extremely high dv/dt ruggedness
- Zener-protected

## Applications

- Switching applications

## Description

These high voltage N-channel Power MOSFETs are part of the MDmesh™ DM2 fast recovery diode series. They offer very low recovery charge ( $Q_{rr}$ ) and time ( $t_{rr}$ ) combined with low  $R_{DS(on)}$ , rendering them suitable for the most demanding high efficiency converters and ideal for bridge topologies and ZVS phase-shift converters.

Table 1: Device summary

Order code	Marking	Package	Packing
STB33N60DM2	33N60DM2	D <sup>2</sup> PAK	Tape and reel
STP33N60DM2	33N60DM2	TO-220	Tube
STW33N60DM2	33N60DM2	TO-247	Tube

---

**Contents**

<b>1</b>	<b>Electrical ratings .....</b>	<b>3</b>
<b>2</b>	<b>Electrical characteristics .....</b>	<b>4</b>
	2.1 Electrical characteristics (curves).....	6
<b>3</b>	<b>Test circuits .....</b>	<b>9</b>
<b>4</b>	<b>Package information .....</b>	<b>10</b>
	4.1 D <sup>2</sup> PAK package information.....	10
	4.2 D <sup>2</sup> PAK packing information .....	13
	4.3 TO-220 type A package information.....	15
	4.4 TO-247 package information.....	17
<b>5</b>	<b>Revision history .....</b>	<b>19</b>

# 1 Electrical ratings

**Table 2: Absolute maximum ratings**

Symbol	Parameter	Value	Unit
$V_{GS}$	Gate-source voltage	±25	V
$I_D$	Drain current (continuous) at $T_{case} = 25\text{ °C}$	24	A
	Drain current (continuous) at $T_{case} = 100\text{ °C}$	15.5	
$I_{DM}^{(1)}$	Drain current (pulsed)	96	A
$P_{TOT}$	Total dissipation at $T_{case} = 25\text{ °C}$	190	W
$dv/dt^{(2)}$	Peak diode recovery voltage slope	50	V/ns
$dv/dt^{(3)}$	MOSFET $dv/dt$ ruggedness	50	
$T_{stg}$	Storage temperature	-55 to 150	°C
$T_j$	Operating junction temperature		

**Notes:**

(1) Pulse width is limited by safe operating area.

(2)  $I_{SD} \leq 24\text{ A}$ ,  $di/dt=900\text{ A}/\mu\text{s}$ ;  $V_{DS\text{ peak}} < V_{(BR)DSS}$ ,  $V_{DD} = 400\text{ V}$ .

(3)  $V_{DS} \leq 480\text{ V}$ .

**Table 3: Thermal data**

Symbol	Parameter	Value			Unit
		D <sup>2</sup> PAK	TO-220	TO-247	
$R_{thj-case}$	Thermal resistance junction-case	0.66			°C/W
$R_{thj-pcb}$	Thermal resistance junction-pcb <sup>(1)</sup>	30			
$R_{thj-amb}$	Thermal resistance junction-ambient		62.5	50	

**Notes:**

(1)When mounted on 1 inch<sup>2</sup> FR-4, 2 Oz copper board.

**Table 4: Avalanche characteristics**

Symbol	Parameter	Value	Unit
$I_{AR}$	Avalanche current, repetitive or not repetitive (Pulse width limited by $T_{jmax}$ )	5.5	A
$E_{AS}$	Single pulse avalanche energy (starting $T_j = 25\text{ °C}$ , $I_D = I_{AR}$ , $V_{DD} = 50\text{ V}$ )	570	mJ

## 2 Electrical characteristics

( $T_{\text{case}} = 25\text{ °C}$  unless otherwise specified)

**Table 5: Static**

Symbol	Parameter	Test conditions	Min.	Typ.	Max.	Unit
$V_{(BR)DSS}$	Drain-source breakdown voltage	$V_{GS} = 0\text{ V}$ , $I_D = 1\text{ mA}$	600			V
$I_{DSS}$	Zero gate voltage drain current	$V_{GS} = 0\text{ V}$ , $V_{DS} = 600\text{ V}$			1	$\mu\text{A}$
		$V_{GS} = 0\text{ V}$ , $V_{DS} = 600\text{ V}$ , $T_{\text{case}} = 125\text{ °C}$			100	
$I_{GSS}$	Gate-body leakage current	$V_{DS} = 0\text{ V}$ , $V_{GS} = \pm 25\text{ V}$			$\pm 10$	$\mu\text{A}$
$V_{GS(th)}$	Gate threshold voltage	$V_{DS} = V_{GS}$ , $I_D = 250\text{ }\mu\text{A}$	3	4	5	V
$R_{DS(on)}$	Static drain-source on-resistance	$V_{GS} = 10\text{ V}$ , $I_D = 12\text{ A}$		0.110	0.130	$\Omega$

**Table 6: Dynamic**

Symbol	Parameter	Test conditions	Min.	Typ.	Max.	Unit
$C_{iss}$	Input capacitance	$V_{DS} = 100\text{ V}$ , $f = 1\text{ MHz}$ , $V_{GS} = 0\text{ V}$	-	1870	-	$\text{pF}$
$C_{oss}$	Output capacitance		-	87	-	
$C_{rss}$	Reverse transfer capacitance		-	2	-	
$C_{oss\text{ eq.}}^{(1)}$	Equivalent output capacitance	$V_{DD} = 480\text{ V}$ , $V_{GS} = 0\text{ V}$	-	157	-	$\text{pF}$
$R_G$	Intrinsic gate resistance	$f = 1\text{ MHz}$ , $I_D = 0\text{ A}$	-	4.5	-	$\Omega$
$Q_g$	Total gate charge	$V_{DD} = 480\text{ V}$ , $I_D = 24\text{ A}$ , $V_{GS} = 10\text{ V}$ (see <a href="#">Figure 19: "Test circuit for gate charge behavior"</a> and <a href="#">Figure 23: "Switching time waveform"</a> )	-	43	-	$\text{nC}$
$Q_{gs}$	Gate-source charge		-	9.8	-	
$Q_{gd}$	Gate-drain charge		-	21	-	

**Notes:**

<sup>(1)</sup>  $C_{oss\text{ eq.}}$  is defined as a constant equivalent capacitance giving the same charging time as  $C_{oss}$  when  $V_{DS}$  increases from 0 to 80%  $V_{DSS}$ .

**Table 7: Switching times**

Symbol	Parameter	Test conditions	Min.	Typ.	Max.	Unit
$t_{d(on)}$	Turn-on delay time	$V_{DD} = 300\text{ V}$ , $I_D = 12\text{ A}$ $R_G = 4.7\text{ }\Omega$ , $V_{GS} = 10\text{ V}$ (see <a href="#">Figure 18: "Test circuit for resistive load switching times"</a> and )	-	17	-	$\text{ns}$
$t_r$	Rise time		-	8	-	
$t_{d(off)}$	Turn-off delay time		-	62	-	
$t_f$	Fall time		-	9	-	

Table 8: Source-drain diode

Symbol	Parameter	Test conditions	Min.	Typ.	Max.	Unit
$I_{SD}$	Source-drain current		-		24	A
$I_{SDM}^{(1)}$	Source-drain current (pulsed)		-		96	A
$V_{SD}^{(2)}$	Forward on voltage	$V_{GS} = 0 \text{ V}$ , $I_{SD} = 24 \text{ A}$	-		1.6	V
$t_{rr}$	Reverse recovery time	$I_{SD} = 24 \text{ A}$ , $di/dt = 100 \text{ A}/\mu\text{s}$ , $V_{DD} = 60 \text{ V}$ (see <a href="#">Figure 20</a> : "Test circuit for inductive load switching and diode recovery times")	-	150		ns
$Q_{rr}$	Reverse recovery charge		-	0.5		$\mu\text{C}$
$I_{RRM}$	Reverse recovery current		-	8.8		A
$t_{rr}$	Reverse recovery time	$I_{SD} = 24 \text{ A}$ , $di/dt = 100 \text{ A}/\mu\text{s}$ , $V_{DD} = 60 \text{ V}$ , $T_j = 150 \text{ }^\circ\text{C}$ (see <a href="#">Figure 20</a> : "Test circuit for inductive load switching and diode recovery times")	-	316		ns
$Q_{rr}$	Reverse recovery charge		-	2.85		$\mu\text{C}$
$I_{RRM}$	Reverse recovery current		-	18		A

**Notes:**

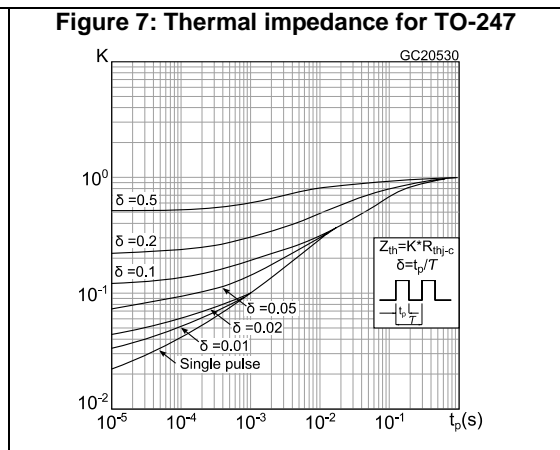
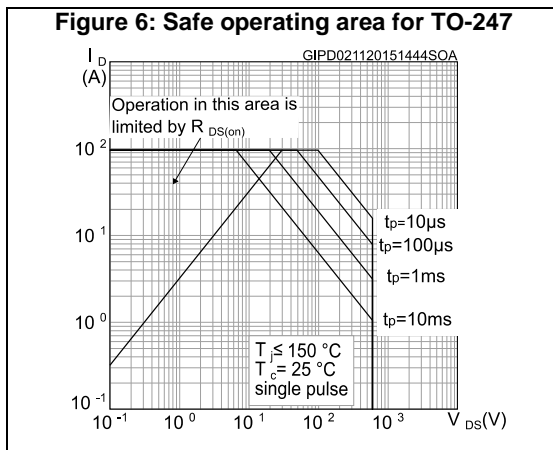
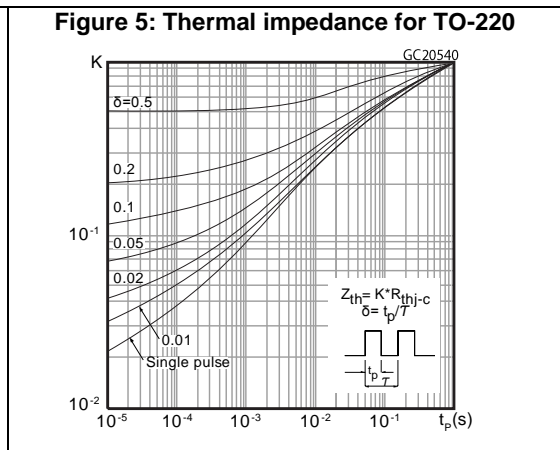
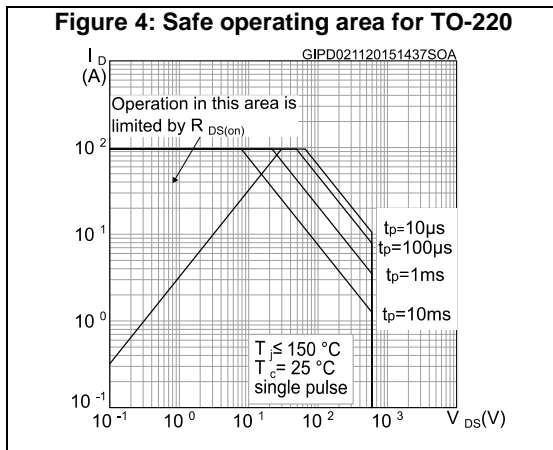
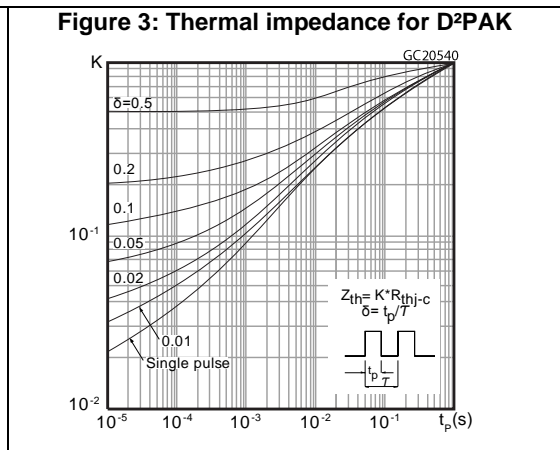
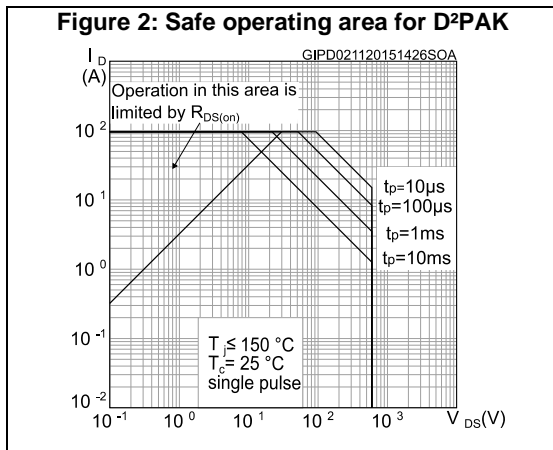
(1) Pulse width is limited by safe operating area.

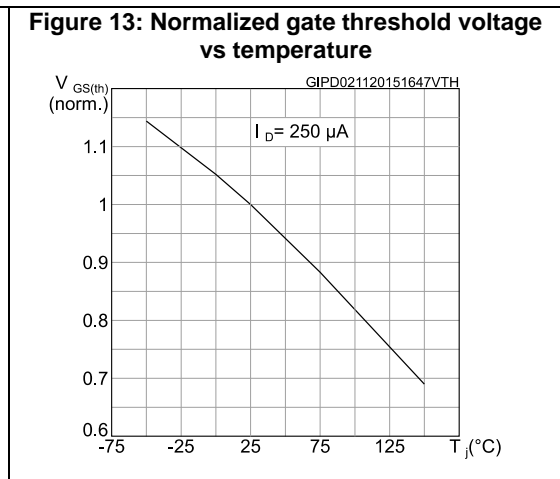
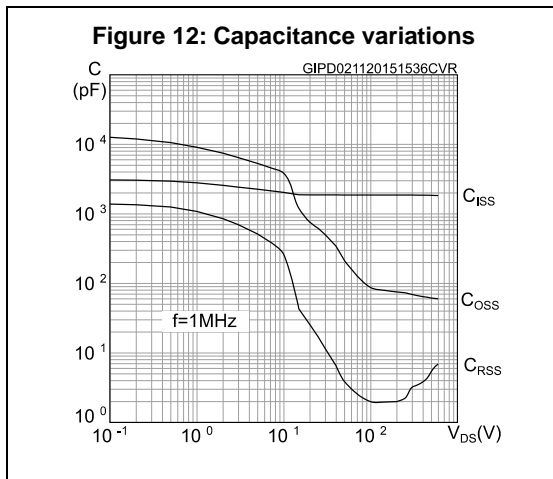
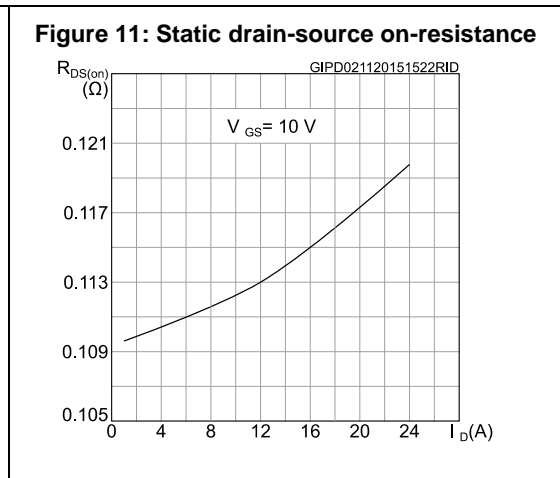
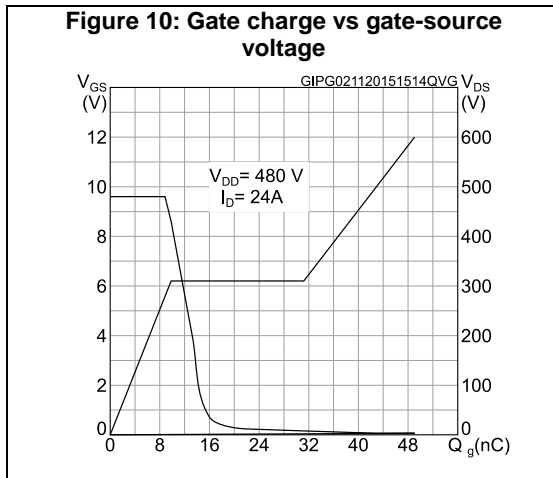
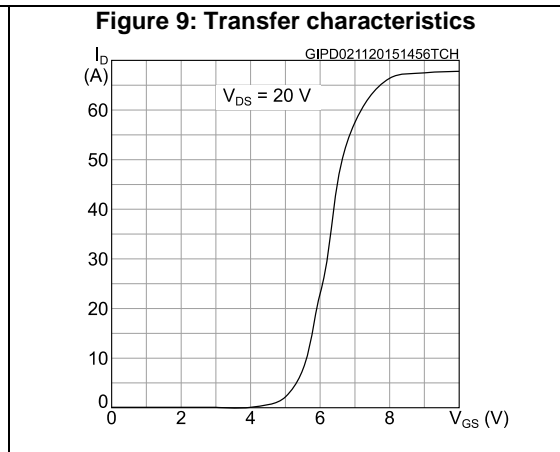
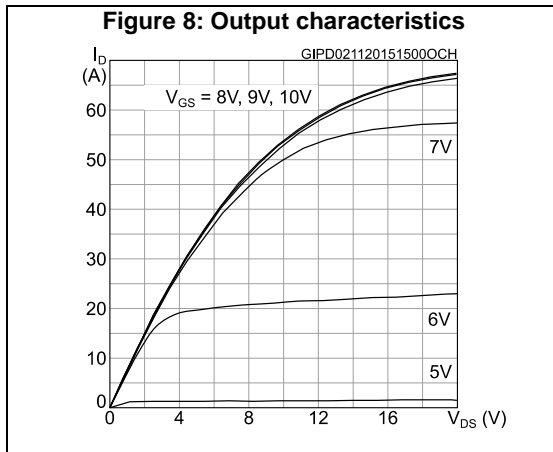
(2) Pulse test: pulse duration = 300  $\mu\text{s}$ , duty cycle 1.5%.

Table 9: Gate-source Zener diode

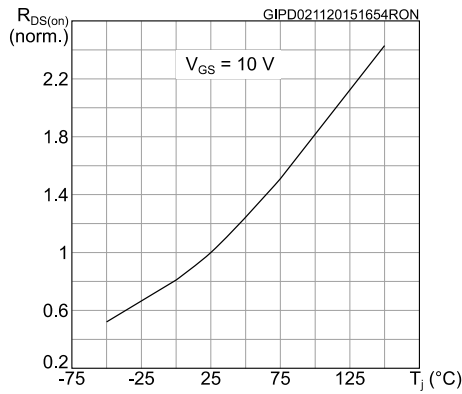
Symbol	Parameter	Test conditions	Min.	Typ.	Max.	Unit
$V_{(BR)GSO}$	Gate-source breakdown voltage	$I_{GS} = \pm 250 \mu\text{A}$ , $I_D = 0 \text{ A}$	$\pm 30$	-	-	V

## 2.1 Electrical characteristics (curves)

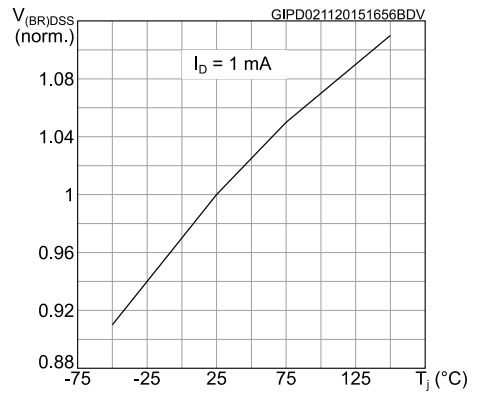




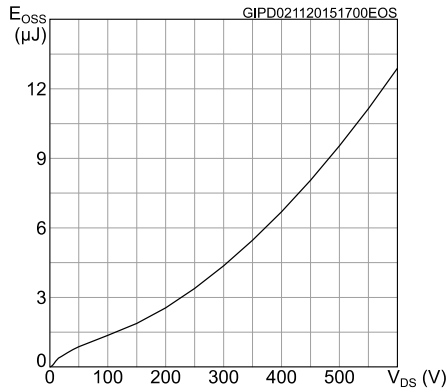
**Figure 14: Normalized on-resistance vs temperature**



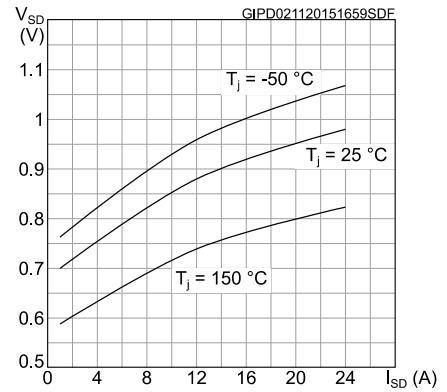
**Figure 15: Normalized  $V(BR)_{DSS}$  vs temperature**



**Figure 16: Output capacitance stored energy**



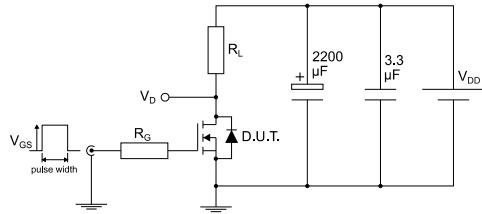
**Figure 17: Source-drain diode forward characteristics**





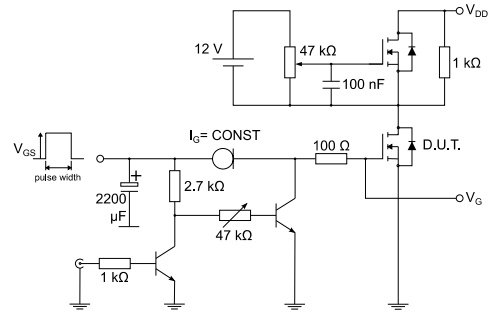
### 3 Test circuits

**Figure 18: Test circuit for resistive load switching times**



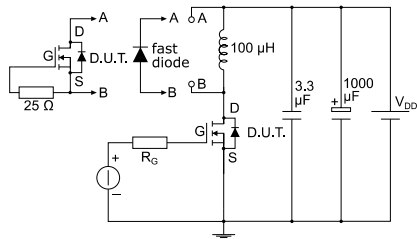
AM01468v1

**Figure 19: Test circuit for gate charge behavior**



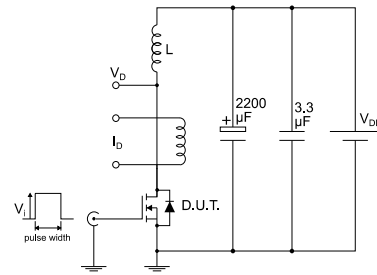
AM01469v1

**Figure 20: Test circuit for inductive load switching and diode recovery times**



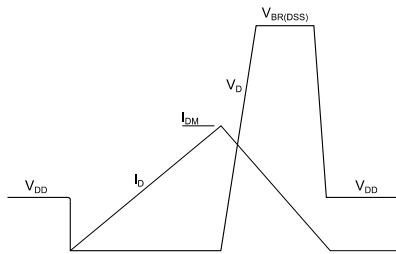
AM01470v1

**Figure 21: Unclamped inductive load test circuit**



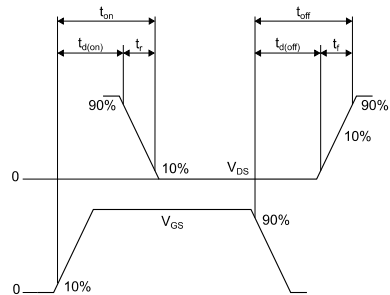
AM01471v1

**Figure 22: Unclamped inductive waveform**



AM01472v1

**Figure 23: Switching time waveform**



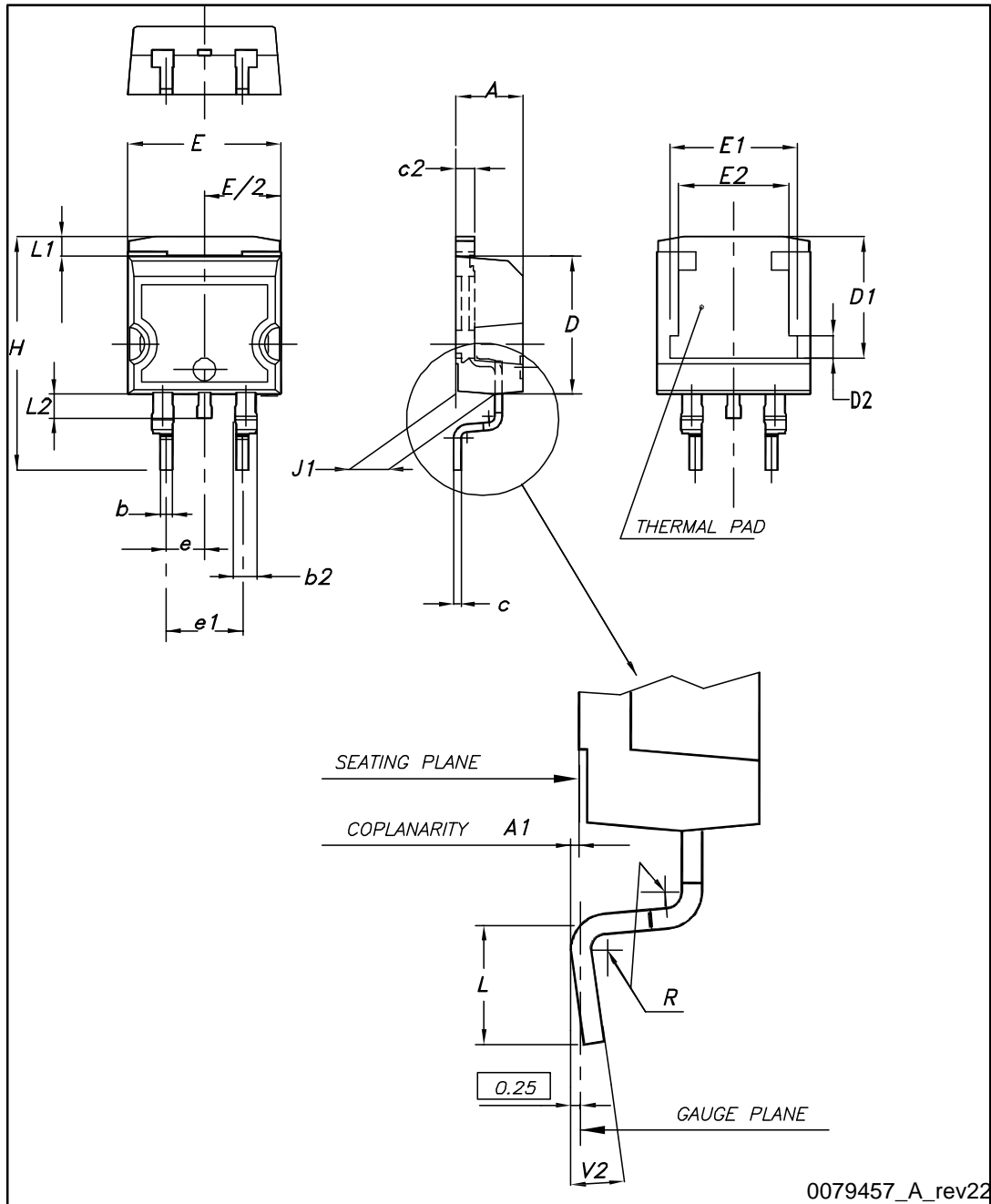
AM01473v1

## 4 Package information

In order to meet environmental requirements, ST offers these devices in different grades of ECOPACK® packages, depending on their level of environmental compliance. ECOPACK® specifications, grade definitions and product status are available at: [www.st.com](http://www.st.com). ECOPACK® is an ST trademark.

### 4.1 D<sup>2</sup>PAK package information

Figure 24: D<sup>2</sup>PAK (TO-263) type A package outline

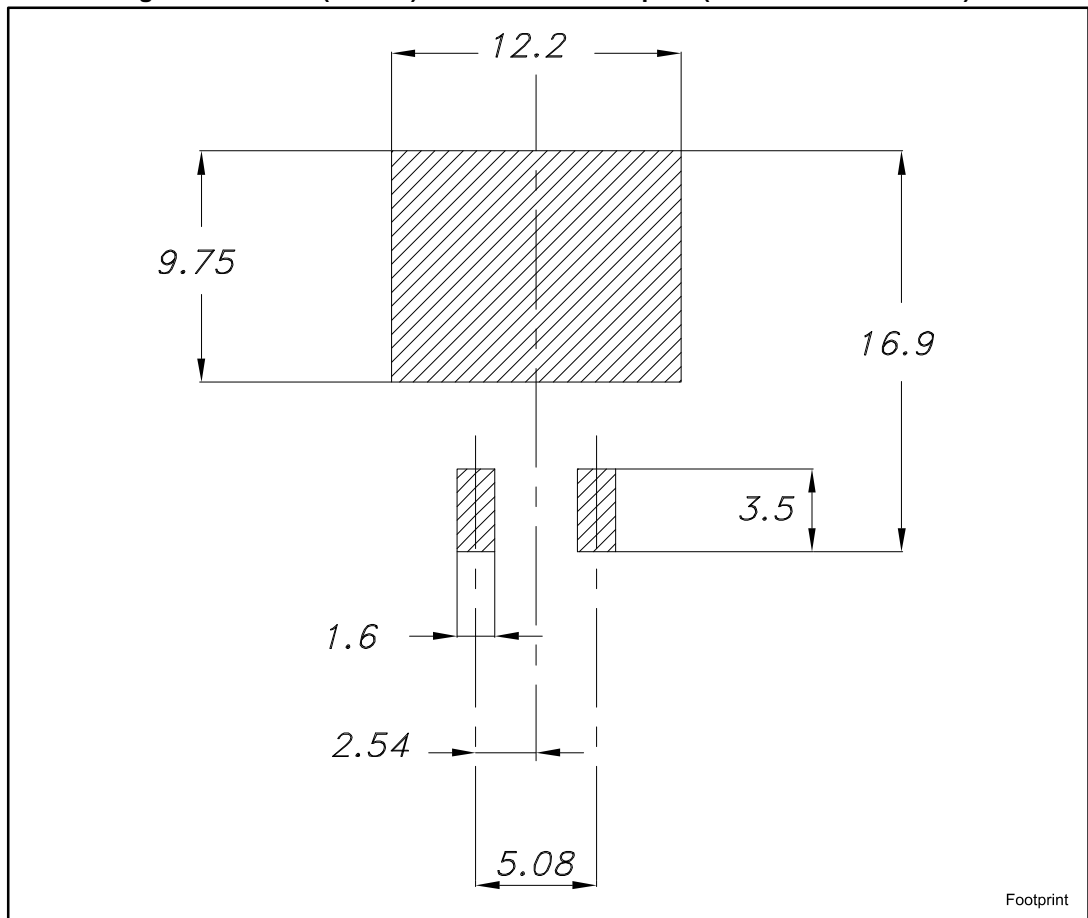


0079457\_A\_rev22

Table 10: D<sup>2</sup>PAK (TO-263) type A package mechanical data

Dim.	mm		
	Min.	Typ.	Max.
A	4.40		4.60
A1	0.03		0.23
b	0.70		0.93
b2	1.14		1.70
c	0.45		0.60
c2	1.23		1.36
D	8.95		9.35
D1	7.50	7.75	8.00
D2	1.10	1.30	1.50
E	10		10.40
E1	8.50	8.70	8.90
E2	6.85	7.05	7.25
e		2.54	
e1	4.88		5.28
H	15		15.85
J1	2.49		2.69
L	2.29		2.79
L1	1.27		1.40
L2	1.30		1.75
R		0.4	
V2	0°		8°

Figure 25: D<sup>2</sup>PAK (TO-263) recommended footprint (dimensions are in mm)



### 4.2 D<sup>2</sup>PAK packing information

Figure 26: Tape outline

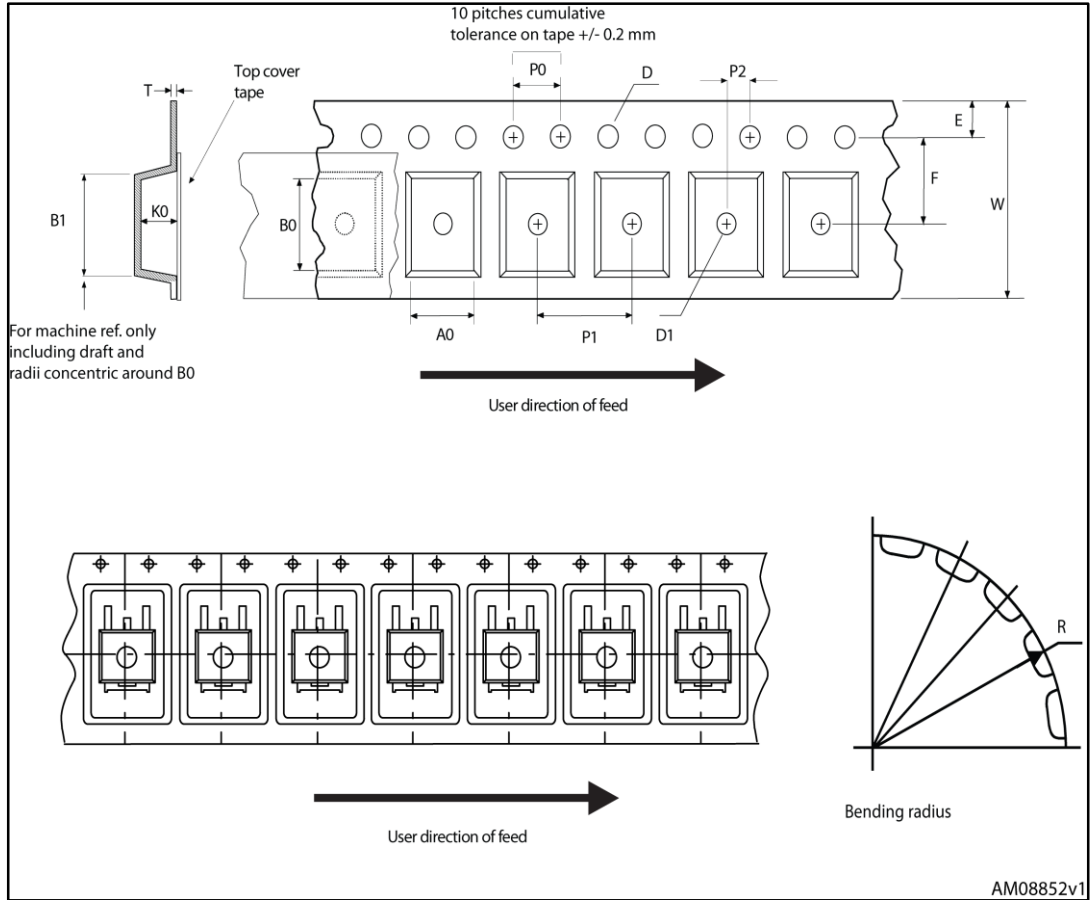
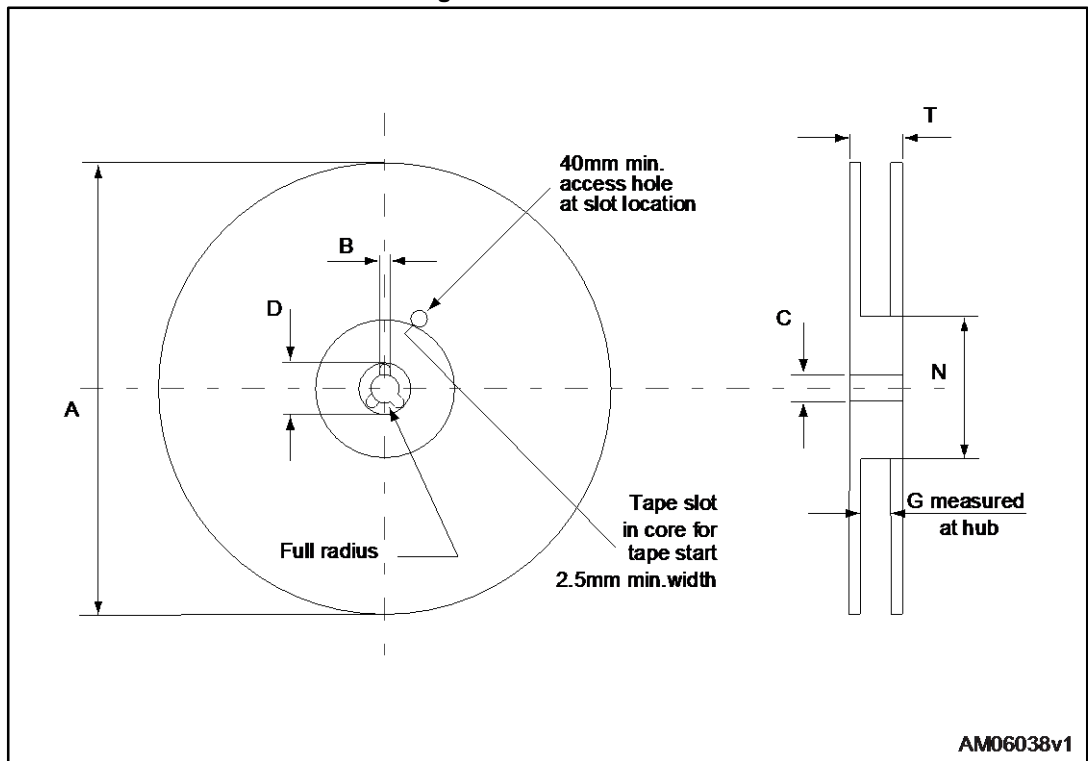


Figure 27: Reel outline



AM06038v1

Table 11: D<sup>2</sup>PAK tape and reel mechanical data

Tape			Reel		
Dim.	mm		Dim.	mm	
	Min.	Max.		Min.	Max.
A0	10.5	10.7	A		330
B0	15.7	15.9	B	1.5	
D	1.5	1.6	C	12.8	13.2
D1	1.59	1.61	D	20.2	
E	1.65	1.85	G	24.4	26.4
F	11.4	11.6	N	100	
K0	4.8	5.0	T		30.4
P0	3.9	4.1			
P1	11.9	12.1	Base quantity		1000
P2	1.9	2.1	Bulk quantity		1000
R	50				
T	0.25	0.35			
W	23.7	24.3			

### 4.3 TO-220 type A package information

Figure 28: TO-220 type A package outline

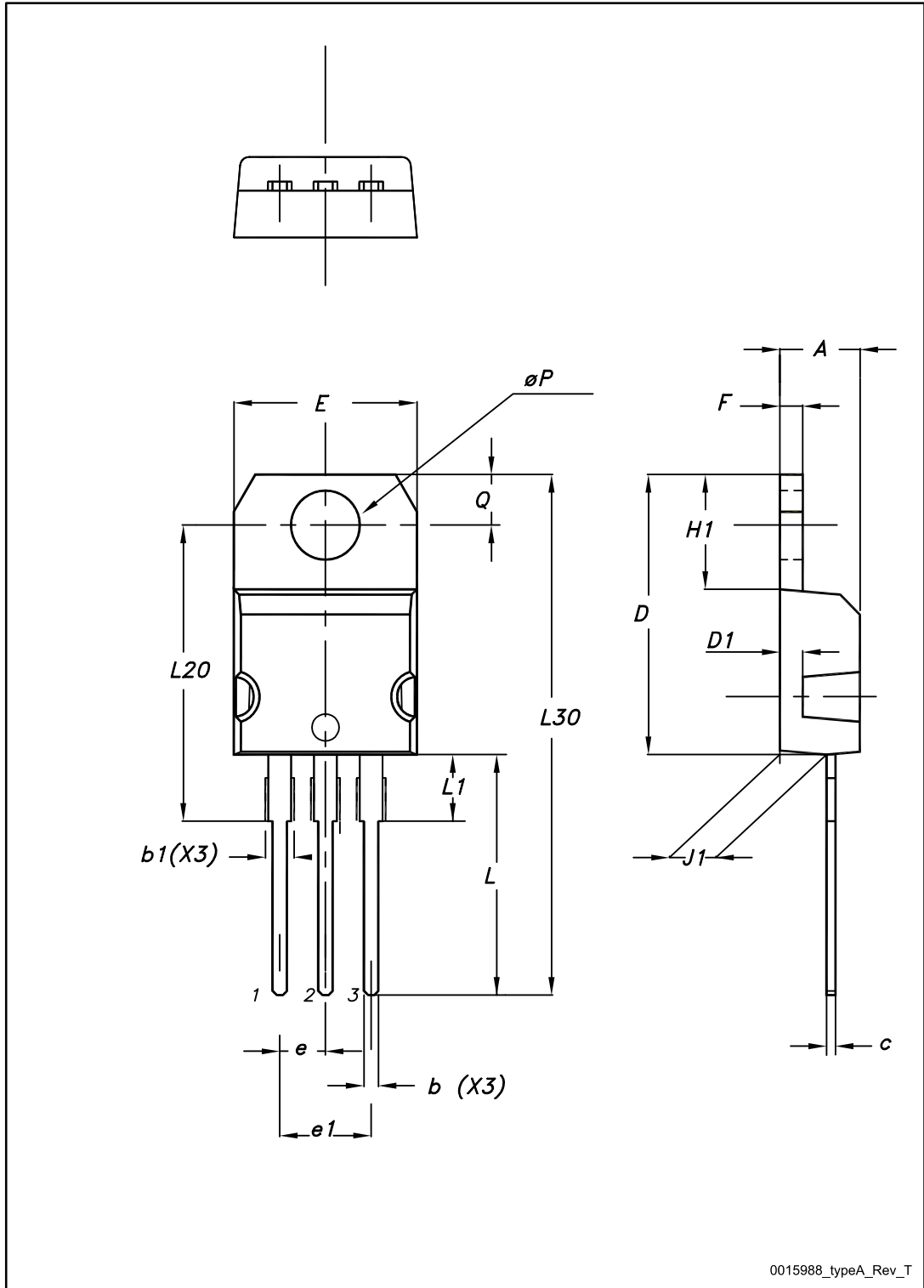


Table 12: TO-220 type A mechanical data

Dim.	mm		
	Min.	Typ.	Max.
A	4.40		4.60
b	0.61		0.88
b1	1.14		1.70
c	0.48		0.70
D	15.25		15.75
D1		1.27	
E	10		10.40
e	2.40		2.70
e1	4.95		5.15
F	1.23		1.32
H1	6.20		6.60
J1	2.40		2.72
L	13		14
L1	3.50		3.93
L20		16.40	
L30		28.90	
øP	3.75		3.85
Q	2.65		2.95



### 4.4 TO-247 package information

Figure 29: TO-247 package outline

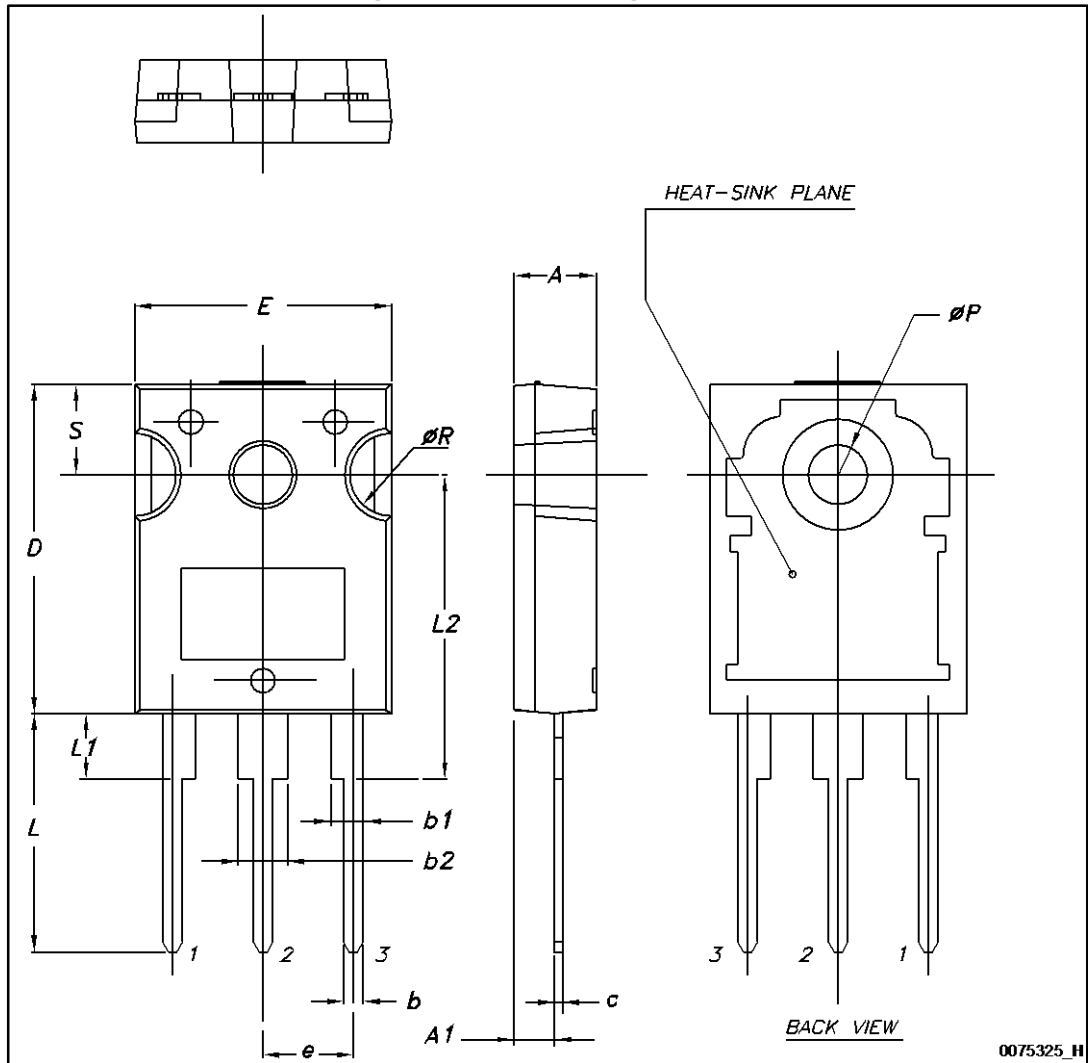


Table 13: TO-247 package mechanical data

Dim.	mm.		
	Min.	Typ.	Max.
A	4.85		5.15
A1	2.20		2.60
b	1.0		1.40
b1	2.0		2.40
b2	3.0		3.40
c	0.40		0.80
D	19.85		20.15
E	15.45		15.75
e	5.30	5.45	5.60
L	14.20		14.80
L1	3.70		4.30
L2		18.50	
ØP	3.55		3.65
ØR	4.50		5.50
S	5.30	5.50	5.70

## 5 Revision history

**Table 14: Document revision history**

Date	Revision	Changes
16-Oct-2014	1	First release.
02-Nov-2015	2	Document status promoted from preliminary to production data. Updated title and features in cover page. Updated <a href="#">Table 2: "Absolute maximum ratings"</a> , <a href="#">Table 4: "Avalanche characteristics"</a> , <a href="#">Table 5: "Static"</a> , <a href="#">Table 6: "Dynamic"</a> , <a href="#">Table 7: "Switching times"</a> and <a href="#">Table 8: "Source-drain diode"</a> . Added <a href="#">Section 2.1 Electrical characteristics (curves)</a> .

**IMPORTANT NOTICE – PLEASE READ CAREFULLY**

STMicroelectronics NV and its subsidiaries ("ST") reserve the right to make changes, corrections, enhancements, modifications, and improvements to ST products and/or to this document at any time without notice. Purchasers should obtain the latest relevant information on ST products before placing orders. ST products are sold pursuant to ST's terms and conditions of sale in place at the time of order acknowledgement.

Purchasers are solely responsible for the choice, selection, and use of ST products and ST assumes no liability for application assistance or the design of Purchasers' products.

No license, express or implied, to any intellectual property right is granted by ST herein.

Resale of ST products with provisions different from the information set forth herein shall void any warranty granted by ST for such product.

ST and the ST logo are trademarks of ST. All other product or service names are the property of their respective owners.

Information in this document supersedes and replaces information previously supplied in any prior versions of this document.

© 2015 STMicroelectronics – All rights reserved