

ATS276/277

Complementary Output Hall Effect Latch

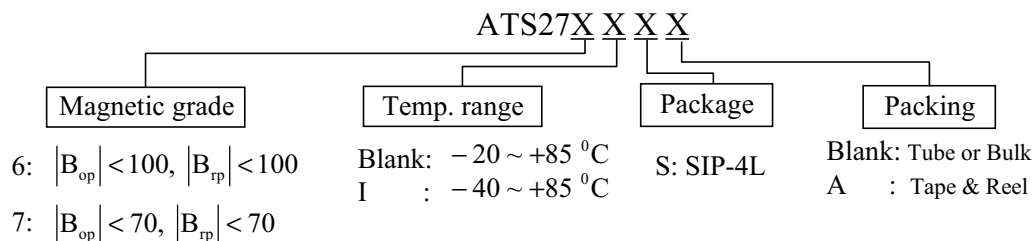
■ Features

- On-chip Hall sensor with two different sensitivity and hysteresis settings for ATS276/277
- Internal bandgap regulator allows temperature compensated operations and a wide operating voltage range
- High output sinking capability up to 300mA for driving large load
- Lower current change rate reduces the peak output voltages during switching
- Build in protection diode for chip reverse power connecting (Note 1)
- Available in die form or rugged low profile 4 pin SIP packages

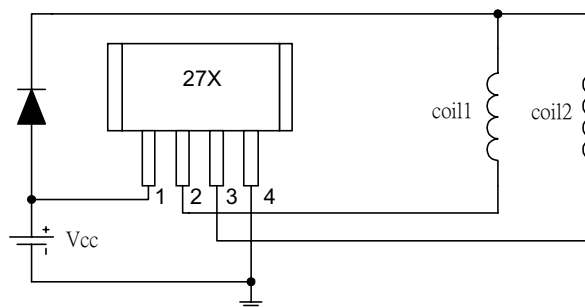
■ Applications

- Dual coils Brush-less DC Motor
- Dual coils Brush-less DC Fan
- Revolution Counting
- Speed Measurement

■ Ordering Information



■ Typical Circuit



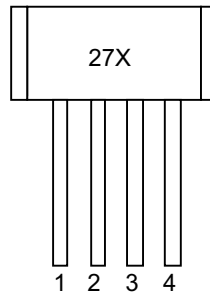
Brush-less DC Fan

This datasheet contains new product information. Analog Technology reserves the rights to modify the product specification without notice. No liability is assumed as a result of the use of this product. No rights under any patent accompany the sale of the product.

ATS276/277

Complementary Output Hall Effect Latch

■ Pin Assignment



Front View

- 1 : VCC
- 2 : DO
- 3 : DOB
- 4 : VSS

Name	P/I/O	Pin #	Description
Vcc	P	1	Positive Power Supply
DO	O	2	Output Pin
DOB	O	3	Output Pin
Vss	P	4	Ground

■ Absolute Maximum Ratings (at Ta=25°C)

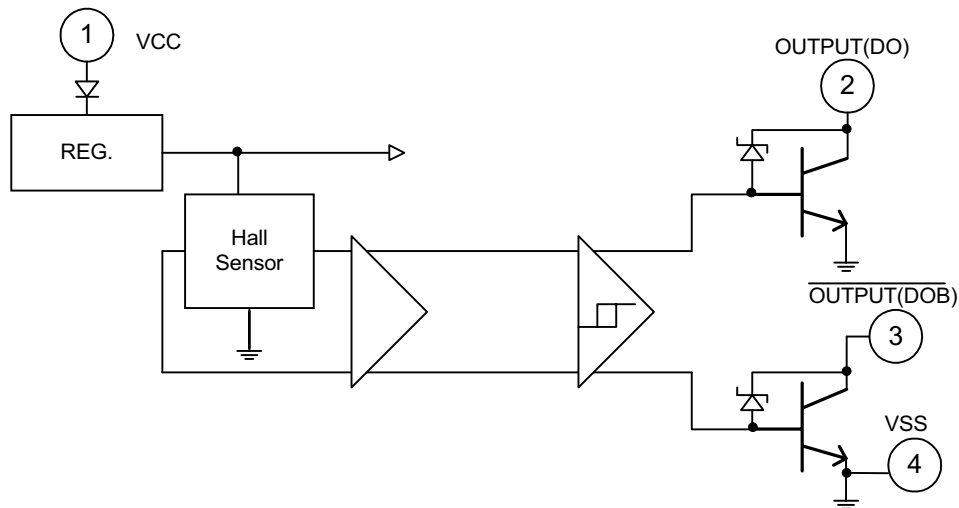
Supply Voltage, Vcc-----	20V
Reverse V _{CC} Polarity Voltage, V _{RCC} -----	-35V
Magnetic flux density, B-----	Unlimited
Output OFF Voltage, Vce -----	50V (Note 1)
Output ON Current, Ic	
Continuous -----	0.3A
Hold-----	0.4A
Peak (Start Up)-----	0.7A
Operating Temperature Range,	
Ta-----	(-20°C to +85°C)
Storage Temperature Range,	
Ts -----	(-65°C to +150°C)
Package Power Dissipation,	
Pd-----	500mW
Maximum Junction Temp, Tj-----	175°C

(Note1) Output Zener protection voltage.

ATS276/277

Complementary Output Hall Effect Latch

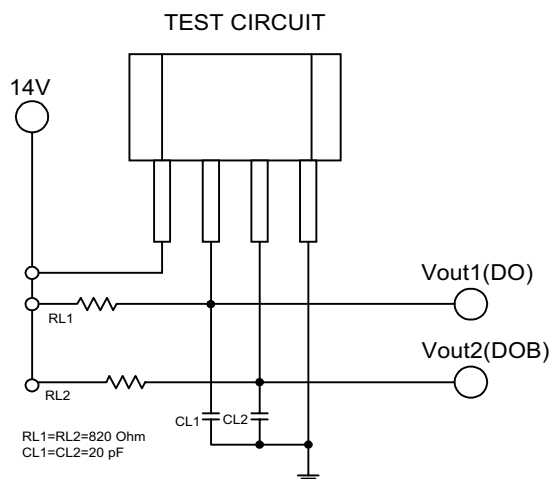
■ Block Diagram



■ Electrical Characteristics (T=+25°C Vcc=4.0V to 20V)

Characteristic	Symbol	Test Conditions	Min	Typ	Max	Units
Low Supply Voltage	V _{ce}	V _{cc} =3.5V, I _L =100mA		0.4		V
Supply Voltage	V _{cc}	----	3.5	----	20	V
Output Saturation Voltage	V _{ce(sat)}	V _{cc} =14V, I _L =300mA	----	300	600	mV
Output Leakage Current	I _{cex}	V _{ce} =14V, V _{cc} =14V	----	<0.1	10	μA
Supply Current	I _{cc}	V _{cc} =20V, Output Open	----	16	25	mA
Output Rise Time	t _r	V _{cc} =14V, R _L =820Ω, C _L =20pF	----	3.0	10	μs
Output Falling Time	t _f	V _{cc} =14V, R _L =820Ω, C _L =20pF	----	0.3	1.5	μs
Switch Time Differential	Δt	V _{cc} =14V, R _L =820Ω, C _L =20pF	----	3.0	10	μs

■ Test Circuit

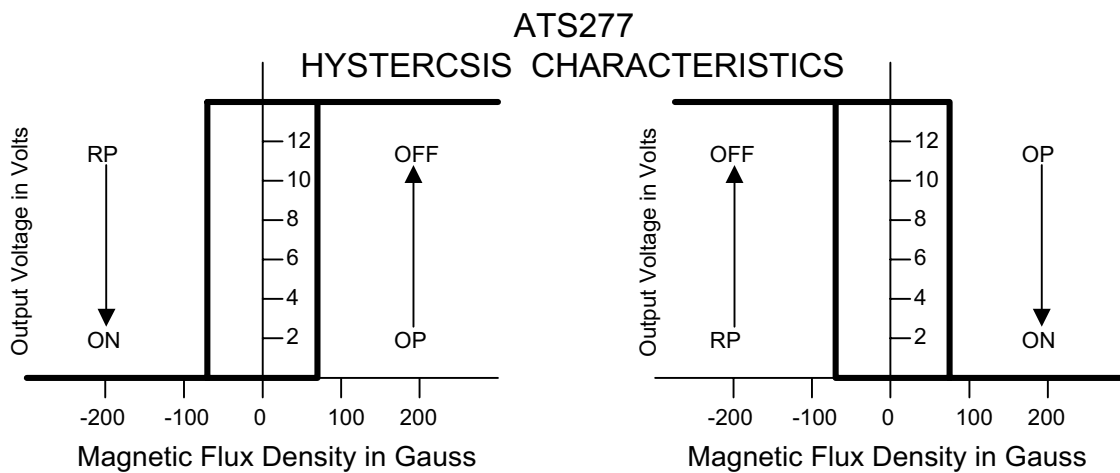
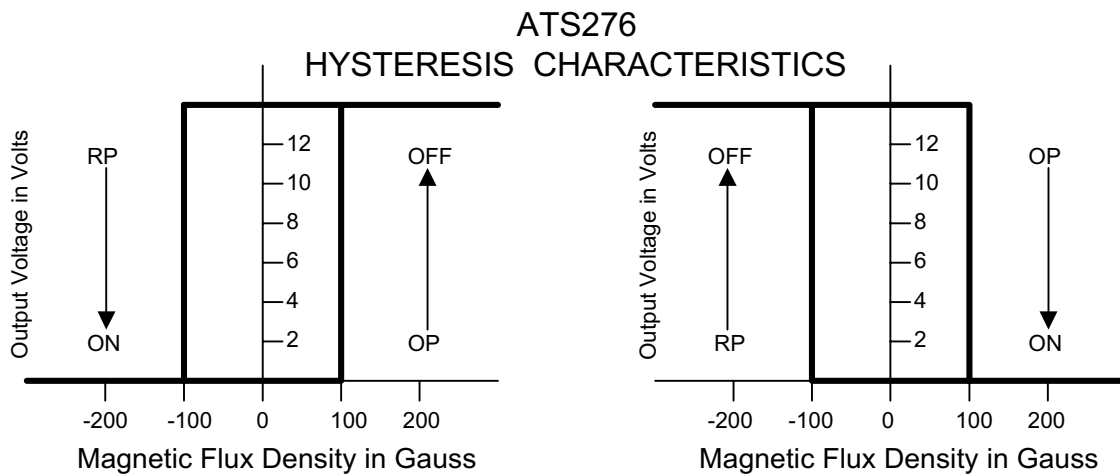


ATS276/277

Complementary Output Hall Effect Latch

■ Magnetic Characteristics

Characteristic	Symbol	Ta=+25°C		Ta=0°C to 70°C		Units	
		Min	Max	Min	Max		
Operate Point	ATS276	Bop	—	100	—	100	G
	ATS277	Bop	—	70	—	70	G
Release Point	ATS276	Brp	-100	—	-100	—	G
	ATS277	Brp	-70	—	-70	—	G
Hysteresis	ATS276	Bhys	50	200	30	200	G
	ATS277	Bhys	20	140	10	140	G

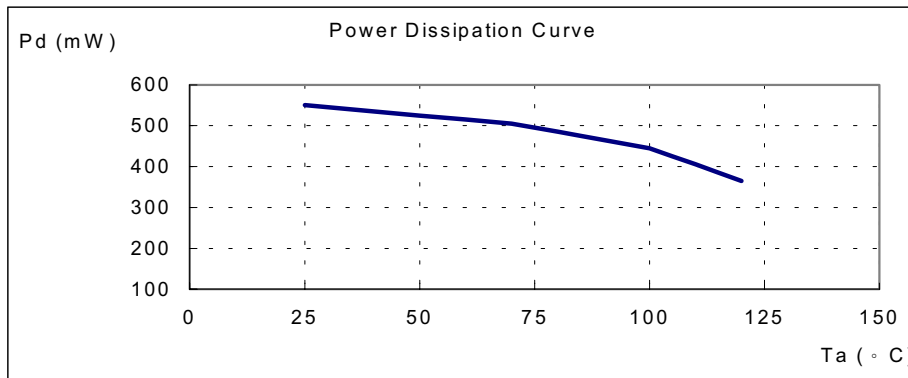


ATS276/277

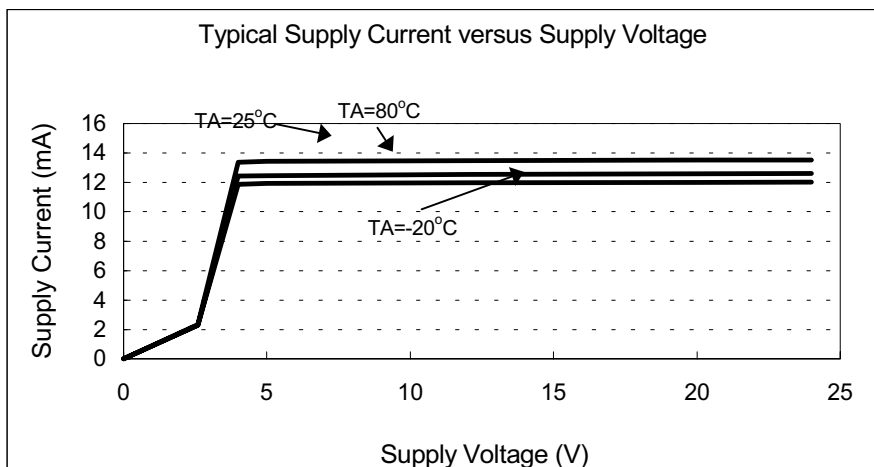
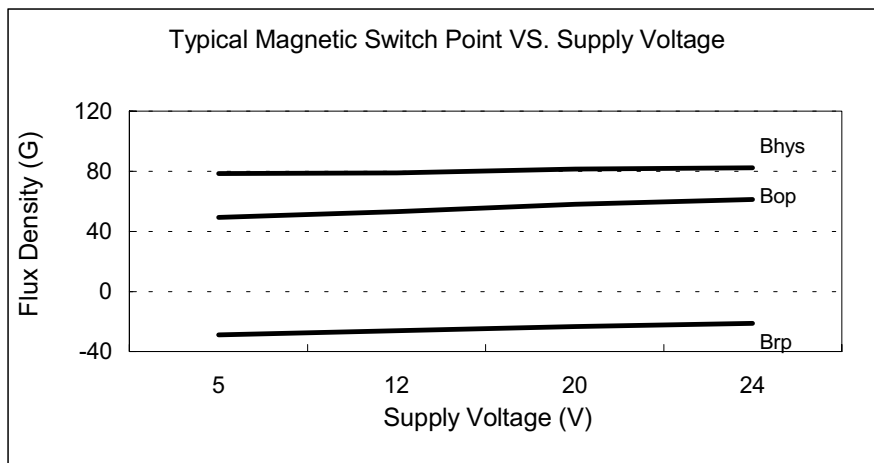
Complementary Output Hall Effect Latch

■ Performance Characteristics

Ta (°C)	25	50	60	70	80	85	90	95	100	105	110	115	120
Pd (mW)	550	525	515	505	485	475	465	455	445	425	405	385	365



Note : SIP-4L package.



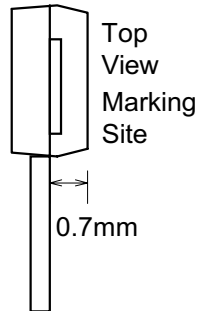
ATS276/277

Complementary Output Hall Effect Latch

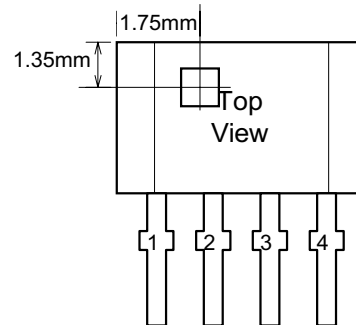


■ Package Information

Active Area Depth



Package Sensor Location



Package Dimension

