

Surface Mount Aluminum Electrolytic Capacitors



SRF Series
(High R.C., Low E.S.R.)

MERITEK

FEATURES

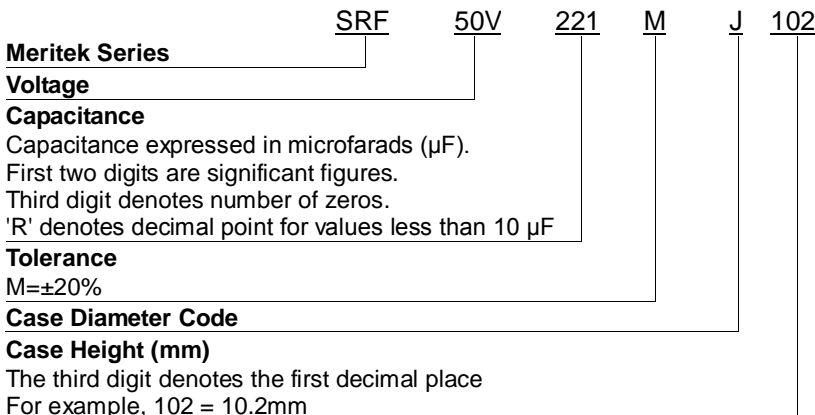
- High Ripple Current, Low E.S.R.
- Load Life : 105°C 1000~2000 hours
- For high density mounting



SPECIFICATIONS

Item	Characteristic							
Operation Temperature Range	-55 ~ +105°C							
Rated Working Voltage	6.3 ~ 50VDC							
Capacitance Tolerance (120Hz 20°C)	±20%(M)							
Leakage Current (20°C)	$I \leq 0.01CV$ or $3 (\mu A)$ *Whichever is greater after 2 minutes I: Leakage Current (μA) C: Rated Capacitance (μF) V: Working Voltage (V)							
Surge Voltage (20°C)	W.V.	6.3	10	16	25	35	50	
	S.V.	8	13	20	32	44	63	
Dissipation Factor (tan δ) (120Hz 20°C)	Add 0.02 per 1000 μF for more than 1000 μF							
	W.V.	6.3	10	16	25	35	50	
	tan δ	$\Phi 4 \sim \Phi 6.3$	0.24	0.20	0.16	0.14	0.12	0.12
$\Phi 8 \sim \Phi 10$		0.28	0.24	0.20	0.16	0.14	0.14	
Low Temperature Stability	Impedance ratio at 120Hz							
	Rated Voltage (V)	6.3	10	16	25	35	50	
	-25°C / +20°C	3	2	2	2	2	2	
	-55°C / +20°C	5	4	4	3	3	3	
Load Life	After hours ($\Phi D \leq 6.3mm$ 1000 hours, $\Phi D \geq 8mm$ 2000 hours) application of W.V. and +105°C ripple current value, the capacitor shall meet the following limits. (DC + ripple peak voltage \leq rate working voltage)							
	Capacitance Change	$\leq \pm 25\%$ of initial value						
	Dissipation Factor	$\leq 200\%$ of initial specified value						
	Leakage current	\leq initial specified value						
Shelf Life	At +105°C, no voltage application after 1000 hours, the capacitor shall meet the limits for load life characteristics. (With voltage treatment)							
Resistance to Soldering Heat	Capacitors placed on a 250°C hot plate for 30 seconds with their electrode terminals facing downward will fulfill the following conditions after being cooled to room temperature.							
	Capacitance Change	$\leq \pm 10\%$ of initial value						
	Dissipation Factor	\leq initial specified value						
	Leakage current	\leq initial specified value						

PART NUMBERING SYSTEM



Case Diameter Code	ΦD
D	$\Phi 4.0$
E	$\Phi 5.0$
F	$\Phi 6.3$
H	$\Phi 8.0$
J	$\Phi 10.0$

Surface Mount Aluminum Electrolytic Capacitors

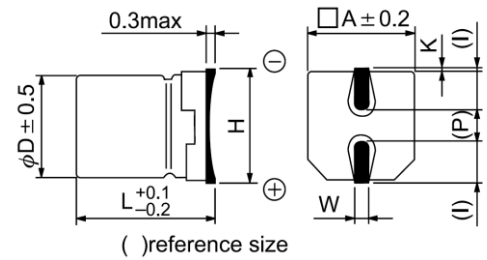


SRF Series
(High R.C., Low E.S.R.)

MERITEK

DIMENSIONS (mm)

ΦD	L	A	H	I	W	P	K
Φ 4.0	5.8	4.3	5.5MAX	1.8	0.65±0.1	1.0	0.35 ^{+0.15} _{-0.20}
Φ 5.0	5.8	5.3	6.5MAX	2.2	0.65±0.1	1.5	0.35 ^{+0.15} _{-0.20}
Φ 6.3	5.8	6.6	7.8MAX	2.6	0.65±0.1	2.1	0.35 ^{+0.15} _{-0.20}
Φ 6.3	7.7	6.6	7.8MAX	2.6	0.65±0.1	2.1	0.35 ^{+0.15} _{-0.20}
Φ 8.0	10.2	8.3	10.0MAX	3.4	0.90±0.2	3.1	0.70 ± 0.2
Φ 10.0	10.2	10.3	12.0MAX	3.5	0.90±0.2	4.6	0.70 ± 0.2



CASE SIZE & MAX RIPPLE CURRENT

Case size : D x L (mm)
 Max Impedance : Ω 20°C 100kHz
 Max ripple current : mA(rms) 105°C 100kHz

Cap. (μF)	V	6.3			10			16			25			35			50				
		Code	DxL	IMP. R.C.	DxL	IMP. R.C.	DxL	IMP. R.C.	DxL	IMP. R.C.	DxL	IMP. R.C.	DxL	IMP. R.C.	DxL	IMP. R.C.	DxL	IMP. R.C.			
4.7	4R7															4x5.8	1.45	90	4x5.8	2.55	64
10	100											4x5.8	1.45	90	5x5.8	0.70	170	6.3x5.8	0.52	215	
15	150							4x5.8	1.45	90	5x5.8	0.70	170	5x5.8	0.70	170	6.3x5.8	0.52	215		
22	220				4x5.8	1.45	90	5x5.8	0.70	170	5x5.8	0.70	170	5x5.8	0.70	170	6.3x5.8	0.52	215		
27	270	4x5.8	1.45	90	5x5.8	0.70	170	5x5.8	0.76	150	6.3x5.8	0.39	250	6.3x5.8	0.39	250	6.3x7.7	0.44	243		
33	330	5x5.8	0.70	170	5x5.8	0.70	170	6.3x5.8	0.39	250	6.3x5.8	0.39	250	6.3x5.8	0.39	250	6.3x7.7	0.44	243		
47	470	5x5.8	0.70	170	6.3x5.8	0.39	250	6.3x5.8	0.39	250	6.3x5.8	0.39	250	6.3x5.8	0.39	250	6.3x7.7	0.44	243		
56	560	5x5.8	0.70	170	6.3x5.8	0.39	250	6.3x5.8	0.39	250	6.3x5.8	0.39	250	6.3x7.7	0.30	300	8x10.2	0.22	400		
68	680	6.3x5.8	0.39	250	6.3x5.8	0.39	250	6.3x5.8	0.39	250	6.3x5.8	0.39	250	6.3x7.7	0.30	300	8x10.2	0.22	400		
100	101	6.3x5.8	0.39	250	6.3x5.8	0.39	250	6.3x5.8	0.39	250	6.3x7.7	0.30	300	8x10.2	0.15	600	8x10.2	0.22	400		
150	151	6.3x5.8	0.39	250	6.3x5.8	0.39	250	6.3x7.7	0.30	300	8x10.2	0.15	600	8x10.2	0.15	600	10x10.2	0.13	585		
220	221	6.3x5.8	0.39	250	6.3x7.7	0.30	300	6.3x7.7	0.30	300	8x10.2	0.15	600	8x10.2	0.15	600	10x10.2	0.13	585		
330	331	6.3x7.7	0.30	300	8x10.2	0.15	600	8x10.2	0.15	600	8x10.2	0.15	600	10x10.2	0.08	850					
470	471	8x10.2	0.15	600	8x10.2	0.15	600	8x10.2	0.15	600	10x10.2	0.08	850								
680	681	8x10.2	0.15	600	10x10.2	0.08	850	10x10.2	0.08	850											
1000	102	8x10.2	0.15	600	10x10.2	0.08	850														
1500	152	10x10.2	0.08	850																	

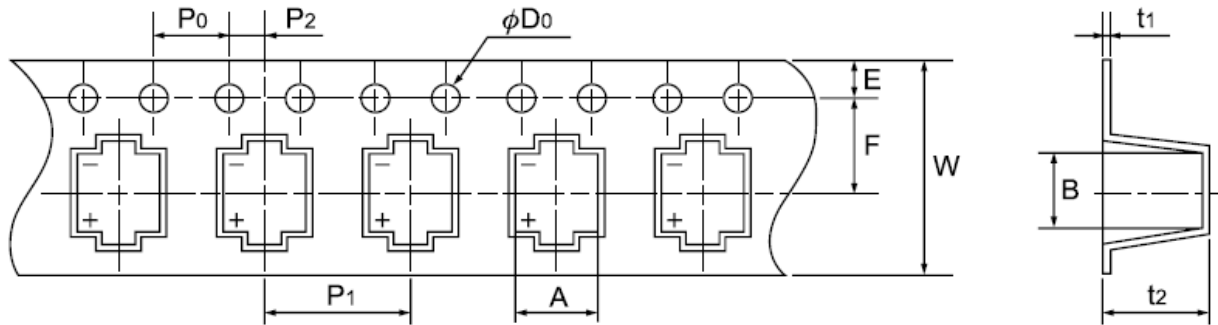
Surface Mount Aluminum Electrolytic Capacitors



SRF Series
(High R.C., Low E.S.R.)

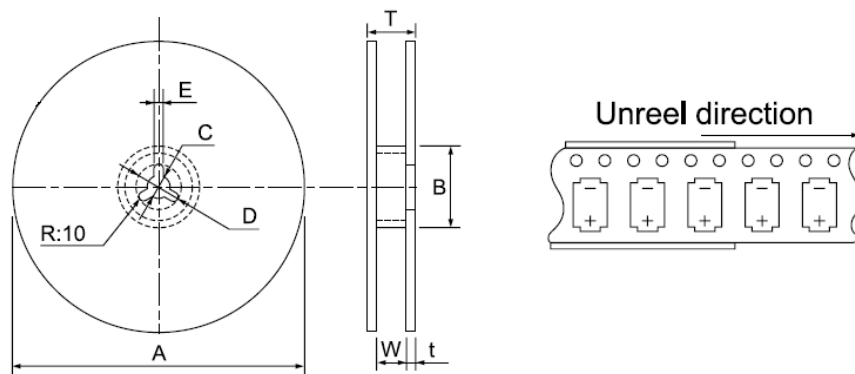
MERITEK

TAPING



D x L	W ± 0.3	A ± 0.2	B ± 0.2	P_0 ± 0.1	P_1 ± 0.1	P_2 ± 0.1	F ± 0.1	ϕD_0 ± 0.1	t_1 ± 0.1	E ± 0.1	t_2 ± 0.2
$\phi 4 \times 5.4$	12.0	4.7	4.7	4.0	8.0	2.0	5.5	1.5	0.4	1.75	5.7
$\phi 5 \times 5.4$	12.0	5.7	5.7	4.0	12.0	2.0	5.5	1.5	0.4	1.75	5.7
$\phi 6.3 \times 5.4$	16.0	7.0	7.0	4.0	12.0	2.0	7.5	1.5	0.4	1.75	5.7
$\phi 4 \times 5.8$	12.0	4.7	4.7	4.0	8.0	2.0	5.5	1.5	0.4	1.75	6.3
$\phi 5 \times 5.8$	12.0	5.7	5.7	4.0	12.0	2.0	5.5	1.5	0.4	1.75	6.4
$\phi 6.3 \times 5.8$	16.0	7.0	7.0	4.0	12.0	2.0	7.5	1.5	0.4	1.75	6.4
$\phi 6.3 \times 7.7$	16.0	7.0	7.0	4.0	12.0	2.0	7.5	1.5	0.4	1.75	8.2
$\phi 8 \times 6.2$	16.0	8.7	8.7	4.0	12.0	2.0	7.5	1.5	0.4	1.75	6.8
$\phi 8 \times 10.2$	24.0	8.7	8.7	4.0	16.0	2.0	11.5	1.5	0.4	1.75	11.0
$\phi 10 \times 10.2$	24.0	10.7	10.7	4.0	16.0	2.0	11.5	1.5	0.4	1.75	11.0

PACKAGE



D x L	A ± 2.0	B MIN	C ± 0.5	D ± 0.8	E ± 0.5	W ± 1.0	T ± 1.0	t ± 0.5
$\phi 4 \phi 5$	380	50	13	21	2.0	14.0	20.0	3.0
$\phi 6.3$	380	50	13	21	2.0	18.0	24.0	3.0
$\phi 8 \times 6.2$	380	50	13	21	2.0	18.0	24.0	3.0
$\phi 8 \times 10.2$	380	50	13	21	2.0	26.0	32.0	3.0
$\phi 10 \times 10.2$	380	50	13	21	2.0	26.0	32.0	3.0

Surface Mount Aluminum Electrolytic Capacitors

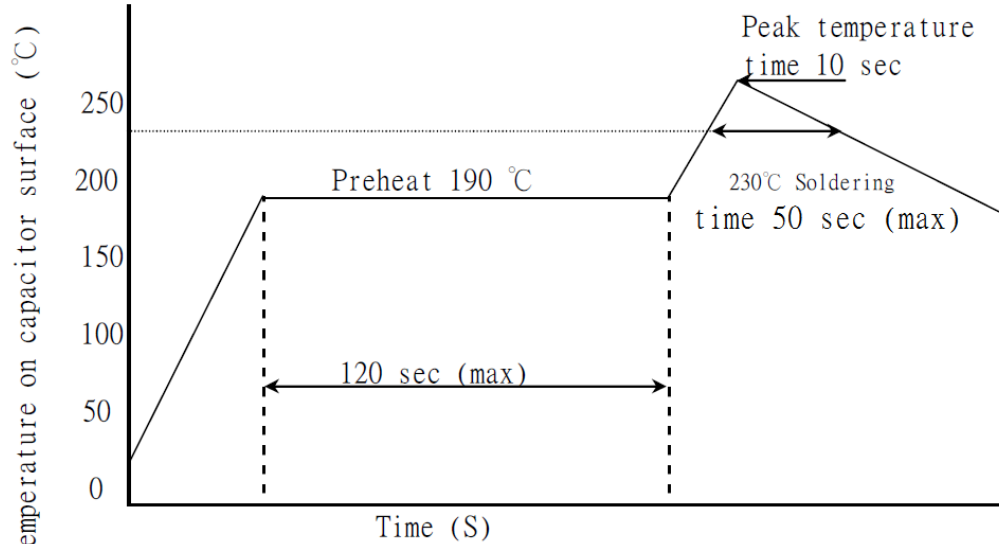


SRF Series
(High R.C., Low E.S.R.)

MERITEK

PERMISSIBLE REFLOW CONDITION

AIR REFLOW AND IR REFLOW



Preheat: Within 120sec., 190°C or less.

Soldering Time: Within 50 sec., 230°C

Peak Temperature: Less than 250°C, within 10 sec.

Possible Reflow Cycle: 2 Cycles

The final test values should be as following:

- (A) Capacitance change: $\leq \pm 10\%$ of initial value
- (B) Dissipation factor: \leq initial specified value
- (C) Leakage current: \leq initial specified value
- (D) Visual: No damage