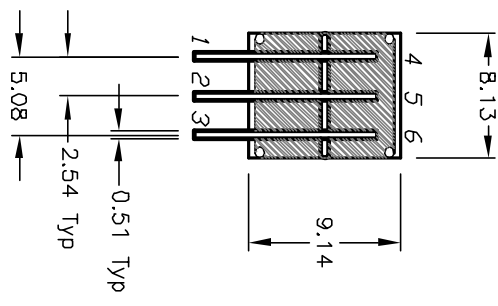
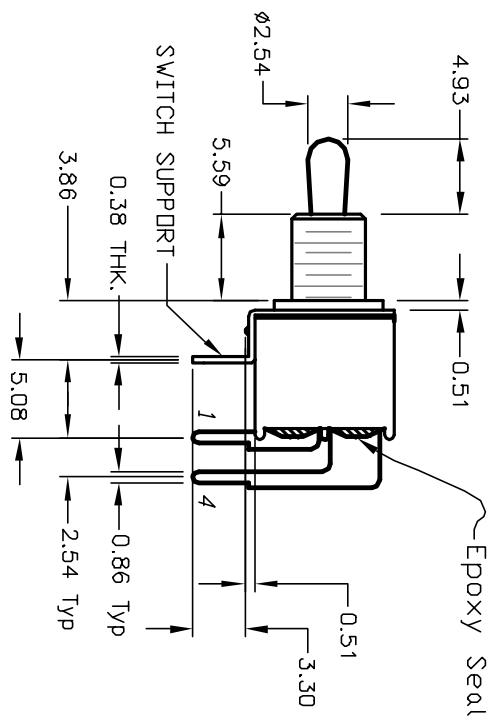
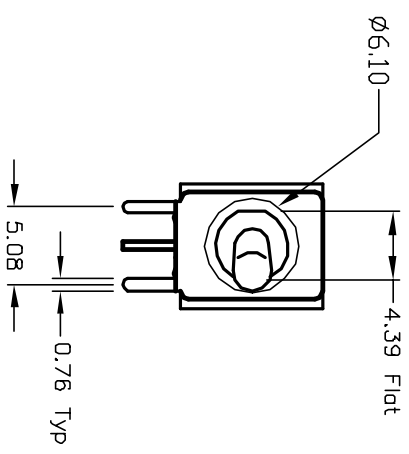
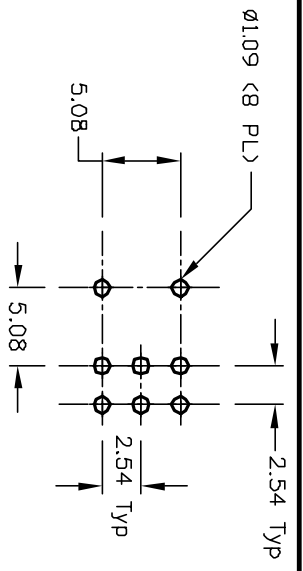
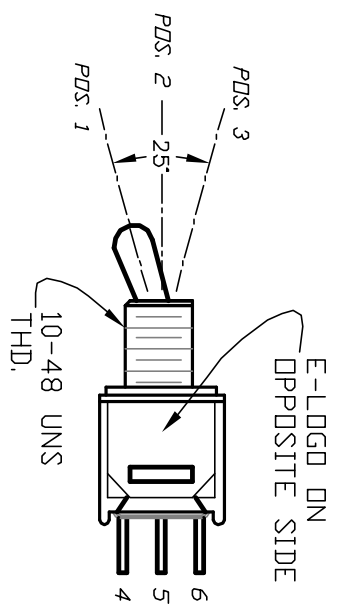


SWITCH FUNCTION			
POS. 1	POS. 2	POS. 3	
<DN>	OFF	<DN>	
2-3,5-6	DPEN	2-1,5-4	

< >=MOMENTARY



NOTES:

1. ALL DIMENSIONS IN MM
2. GENERAL TOLERANCE: X.X=±0.4 X.XX=±0.25
3. TERM. NOS. FOR REF. ONLY
4. CONTACT RATING: 3A @120V AC or 28VDC; 1A @250V AC
5. FIXED TERMINAL & MOVING CONTACT: COPPER ALLOY W/Silver plate
6. ELECTRIC LIFE: 30,000 make-and-break cycles at full load.
7. INSULATION RESISTANCE: 1,000 M ohm min.
8. DIELECTRIC STRENGTH: 1,000 V RMS @sea level.
9. OPERATING TEMP.: -30°C to 85°C

REV.	ECN No.	DESCRIPTION	DATE	CHKD
A	12312	RELEASED FOR PRODUCTION	7/19/02	CJB

TITLE	SCALE	DATE	DR	DWG	REV
200 MDP-3 T2 B1 M6 Q E	2:1	--	--	T221010	A

**E-SWITCH®**

THE INFORMATION CONTAINED IN THIS DOCUMENT IS PROPRIETARY TO E-SWITCH AND IS NOT TO BE COPIED OR TRANSMITTED