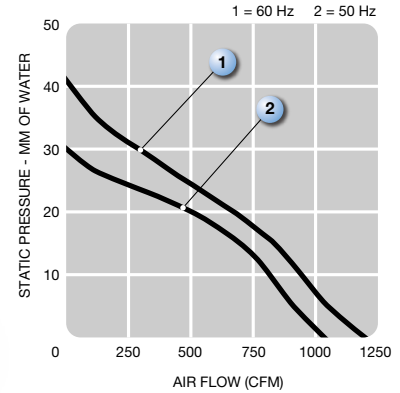
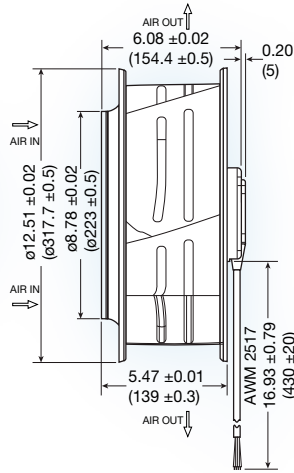
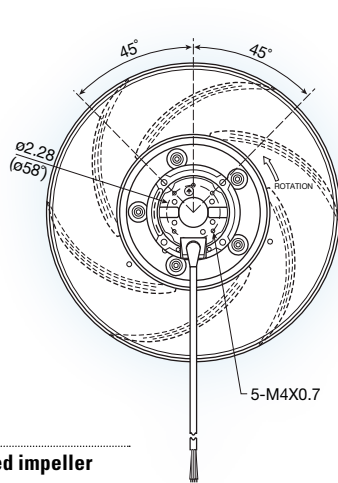


UF318AAA series



(318 dia. x 154 mm)
12.5 dia. x 6.08 inches

Features:	backward curved impeller
Operating voltage:	115 or 230 VAC
Construction:	aluminum die cast motor base, aluminum impeller
Bearing option:	ball bearing
Motor:	permanent split capacitor required capacitor included
Air Flow:	centrifugal
Connection:	AWM 2517 lead wires
Protection:	thermal

Model No.	Rated Voltage	Freq.	Input Power	Rated Cur.	Locked Cur.	Speed	Air Volume		Max. Static Pressure (H ₂ O)		Sound Noise	Weight
							M ³ /Min.	CFM	MM	INCH		
UF318AAA12-H1C4A	115	50	115	1.00	2.60	1,390	28.8	1015	30	1.2	63	3.8
	115	60	160	1.43	2.40	1,580	33.0	1165	40	1.6	66	3.8
UF318AAA23-H1C4A	230	50	115	0.56	1.40	1,390	28.8	1015	30	1.2	63	3.8
	230	60	160	0.70	1.30	1,580	33.0	1165	40	1.6	66	3.8

