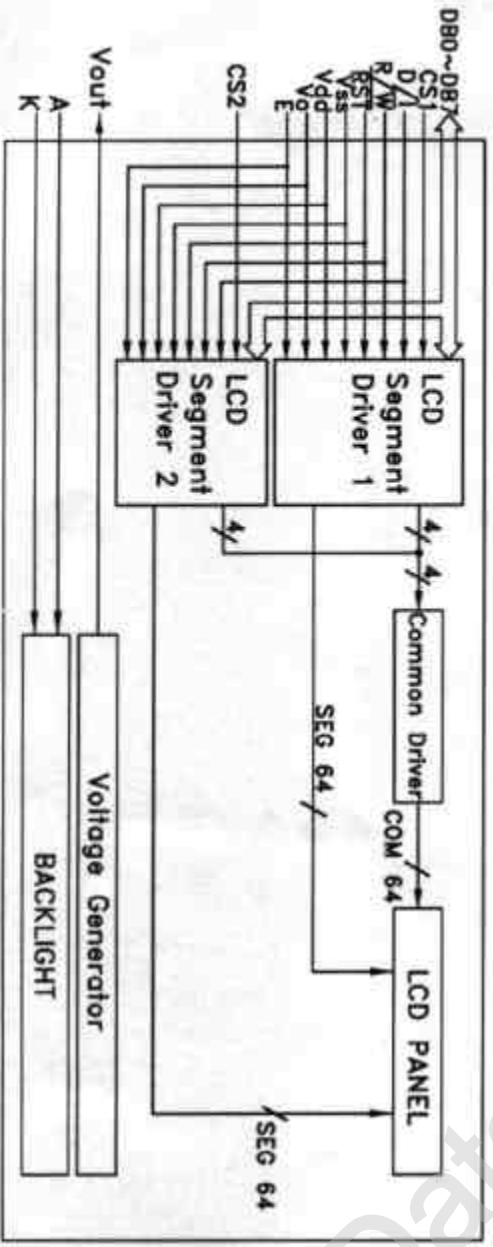
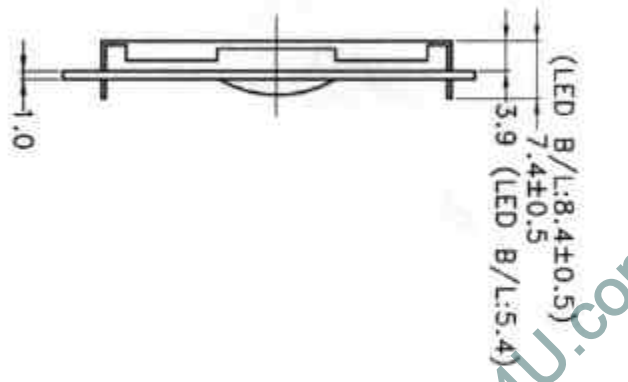
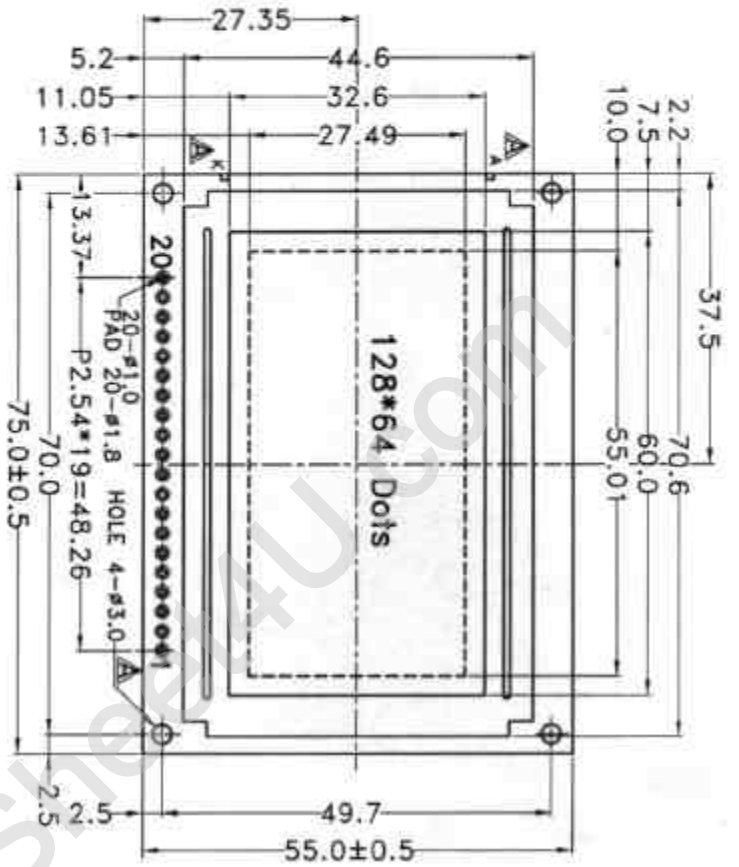
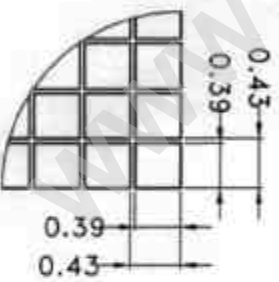


液晶之友 电话: 020-33819057
 Http://www.lcdfriends.com



The tolerance unless classified ±0.3mm



SCALE: 15/1

PIN NO.	SIGNAL
1	VSS
2	Vdd
3	Vo
4	D/I
5	R/W
6	E
7	DB0
8	DB1
9	DB2
10	DB3
11	DB4
12	DB5
13	DB6
14	DB7
15	CS1
16	CS2
17	RST
18	Vout
19	A
20	K

POWERTIP TECHNOLOGY

SCALE: 1/1
 MODEL NAME: TE-12864J-Y4

UNIT: mm
 TITLE: SAMPLE DRAWING

EDI: PAGE: 1/1
 DRAWN NO.: DTR-01075

APPROVED: [Signature]
 CHECKER: [Signature]
 DRAWN: [Signature]

Scale: 15/1