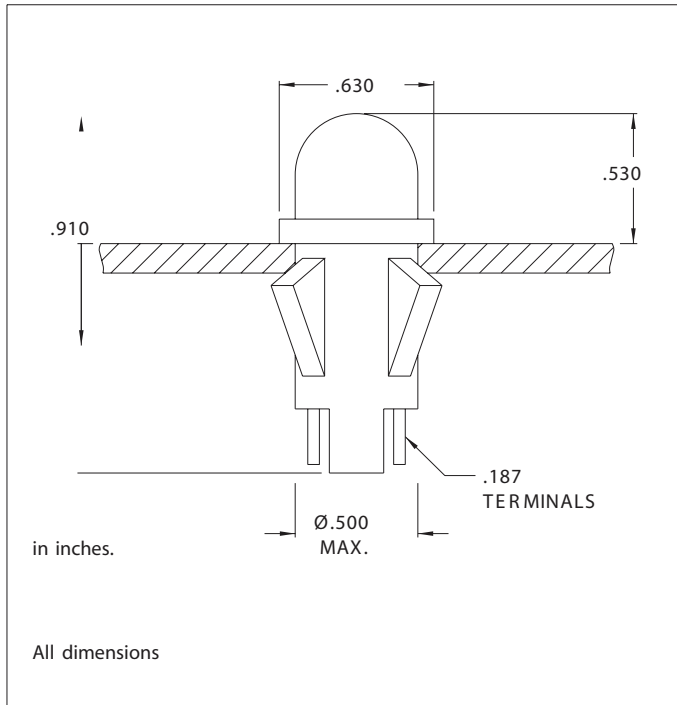


1090QA Series Non-Relampable Incandescent Indicator Lights

Description and Features



Mounting: Will snap-fit into $\text{Ø}.500/.505$ hole in panels
.020/.100 thick. Push-on speednut SN0461
also available. Mounting hole pattern on page SP2.

Terminals: Quick-connect, tinned brass

Lens: Polycarbonate

Bezel: Polished stainless steel. For black finish add "X"
after the series letter(s).

Housing: White Nylon

| Lens Color | Incandescent | |
|------------|-----------------|-----------------|
| | Model No. (12V) | Model No. (28V) |
| Red | | |
| Amber | | |
| White | | |
| Green | 1090QA1-12V | 1090QA1-28V |
| Blue | 1090QA3-12V | 1090QA3-28V |
| | 1090QA4-12V | 1090QA4-28V |
| | 1090QA5-12V | 1090QA5-28V |
| | 1090QA6-12V | 1090QA6-28V |
| Lamp used | #2162 | #2187 |

Underwriters Laboratories (UL) File No. E20325
Canadian Standards Association (CSA) File No. LR13346