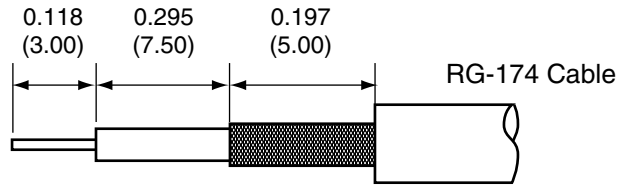
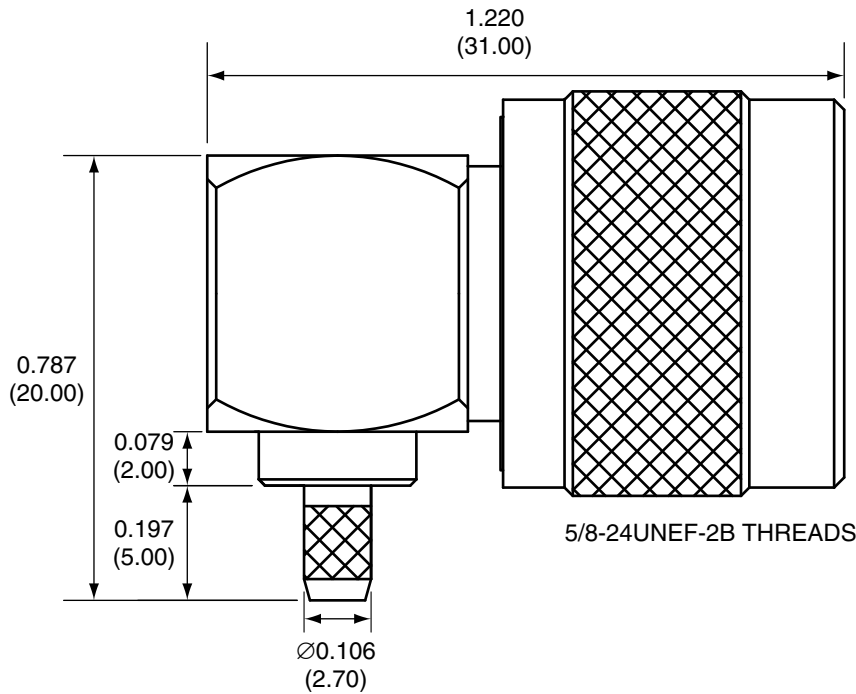


1		
Description	Material	Finish
Body	Brass	Nickel
Pin	Brass	Gold
Crimp Ring	Brass	Nickel
Insulation	Teflon	N/A
Cover	Brass	Nickel

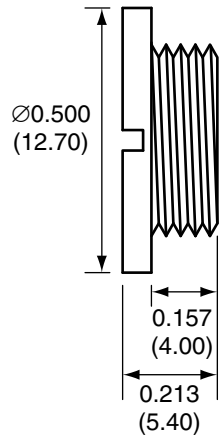
RECOMMENDED CABLE STRIPPING DIMENSIONS



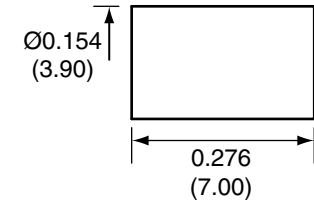
SIDE VIEW



COVER



CRIMP RING



Title N MALE RIGHT ANGLE
CABLE END CRIMP FOR RG174 CABLE

Part No. CONN012

Revision: 1.0

Dimensions: INCHES (mm)

Date: 2/20/2008

CONNECTOR CITY
159 ORT LANE
MERLIN, OR 97532
PH (541)-471-6256
FAX (541)-471-6251

Sheet 1 of 1

CONNECTOR CITY
THE VALUE OF CONNECTIONS