

## P-Channel MOSFET with 0.12V Schottky Diode

### DESCRIPTION

BL8593 is designed for battery charging controller, which features P-channel MOSFET characteristics and a 0.12V Schottky diode for reverse current blocking. Such reverse current blocking feature cut off the current when source voltage is removed, or lower than drain voltage, no matter the gate voltage indicating the P-MOSFET on or off.

BL8593 is also suitable for high side switch in a system with multi power supplies, when isolating different power supplies becomes essential.

BL8593 can block reverse voltage as high as 10V. So it is safe enough for mobile phone system or other portable device powered by 1 cell Li-ion battery.

BL8593 is available in DFN2x2-6L (2 type of PIN configuration), SC70-5 and DFN1x1-5. Especially with the package DFN1x1-5, BL8593 make itself the smallest package available in the world.

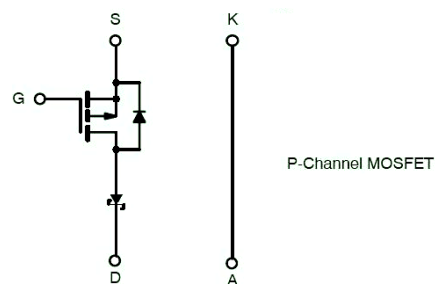
### FEATURES

- PMOSFET with SBD for reverse current blocking
- 0.12V Schottky diode forward voltage
- Range of operation input voltage: Max 12V
- Charging current up to 650mA
- Environment Temperature: -20°C~85°C

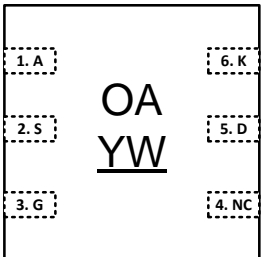
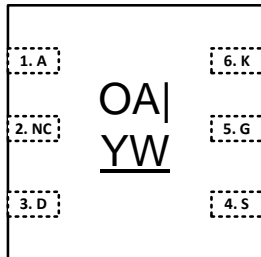
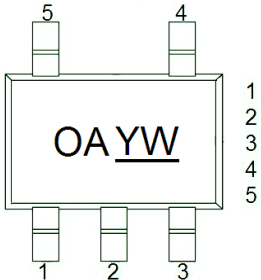
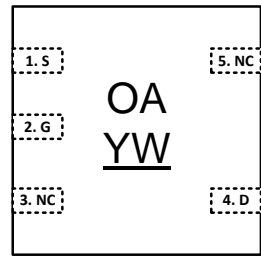
### APPLICATIONS

- Cell phone and other portable device

### FUNCTION DIAGRAM



### ORDERING INFORMATION / PIN CONFIGURATION / MARKING

<b>BL8593CKCTR</b> DFN2x2-6L (compatible to DFN2x3 pin out)	<b>BL8593CBKCTR</b> DFN2x2-6L (compatible to DFN2x2 pin out)	<b>BL8593CA5TR</b> SC70-5	<b>BL8593CKDTR</b> DFN1x1-5L
			

Notice: YW means the year and week parts being manufactured, subjected to change. OA is the code of the product, it will not be changed on any part.

## ABSOLUTE MAXIMUM RATING

Parameter	Symbol	5 sec	Steady State	Unit
Forward Voltage(Source-Drain)	$V_{SD}$	12		V
Gate-Source Voltage (MOSFET)	$V_{GS}$	-8~+0.3	-8~+0.3	
Continuous Drain Current	$I_D$	0.8	0.5	mA
Pulsed Drain Current (MOSFET)	$I_{DM}$	1		A
Maximum Power Dissipation	$P_D$	1	0.5	W
Operating Junction Temperature Range	$T_J$	-20 to 125		°C
Storage Temperature Range	$T_{stg}$	-40 to 150		
Soldering Recommendations (Peak Temperature)		260°C, 10s		

## THERMAL RESISTANCE RATING

Parameter		Device	Symbol	Typical	Maximum	Unit
junction-to-Ambient	t ≤ 5 sec	DFN2x2	$R_{thJA}$	50	60	°C /W
		DFN1x1		77	95	
		SC70-5		250	280	
	Steady State	DFN2x2		105	120	
		DFN1x1		160	200	
		SC70-5		330	400	
Junction to Case	Steady State	DFN2x2	$R_{thJC}$	20	30	
		DFN1x1		33	40	
		SC70-5		150	175	

## ELECTRICAL CHARACTERISTICS

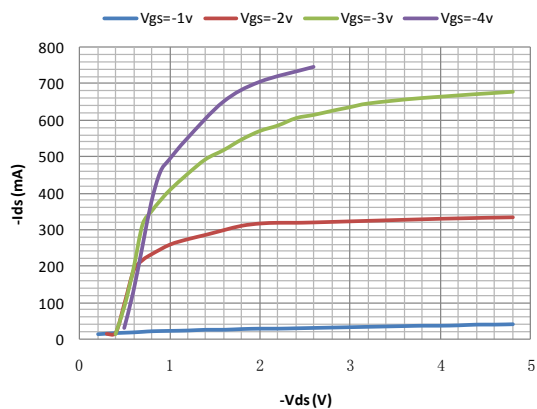
$T_J=25^{\circ}\text{C}$

Symbol	Parameter	Conditions	Min	Typ	Max	Unit
$V_{th}$	Threshold Voltage	$I_{ds}=-10\mu\text{A}$ , $V_{ds}=V_{gs}$	-1.0	-0.7	-0.4	V
$I_{gs}$	Gate-Source Leakage current	$V_{gs}=8\text{V}$	0	12	20	uA
$I_{Dss1}$	PMOS off-state leakage	$V_{gs}=0$ , $V_s=9\text{V}$ , $V_d=0\text{V}$		0.5	5	uA
$I_{Dss2}$	PMOS reverse block leakage	$V_g=0$ , $V_s=0\text{V}$ , $V_d=4.5\text{V}$		2	10	uA
$I_{dson}$	On -state drain current	$V_s=5\text{V}$ , $V_g=1\text{V}$ , $V_d=4\text{V}$	-800	-650	-500	mA
$R_{dson}$	$V_{ds}/I_{dson}$	$V_s=5\text{V}$ , $V_g=1\text{V}$ , $V_d=4\text{V}$	1.25	1.5	2	ohm
$V_{fsbd}$	Forward voltage of schottky	$V_s=4\text{V}$ , $V_g=0\text{V}$ , $I_{ds}=0$ ,	0.08	0.12	0.16	V

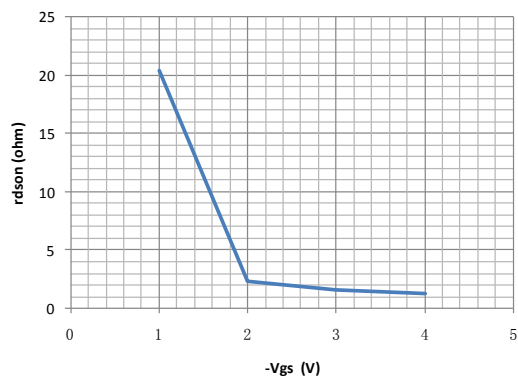
## TYPICAL PERFORMANCE CHARACTERISTICS

$T=25^{\circ}\text{C}$  unless specified.

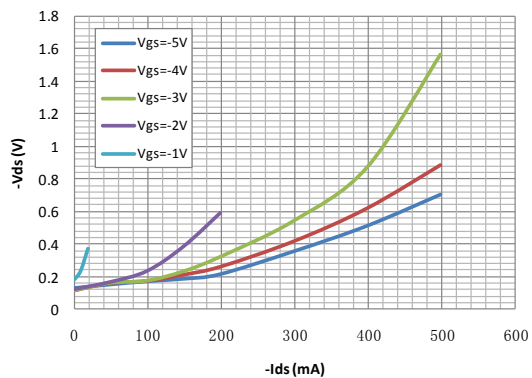
### Output Characteristics



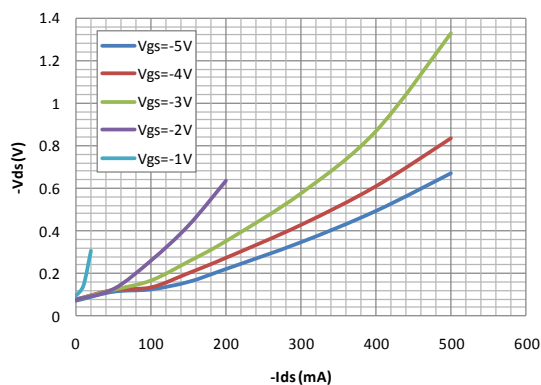
### On Resistance Vs Vgs



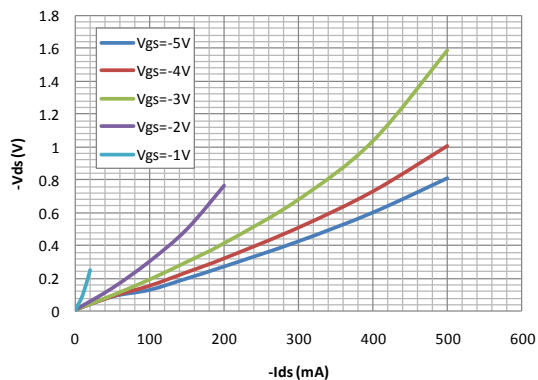
### Dropout Voltage (Vds) Vs. Charge current (Ids), $T = 25^{\circ}\text{C}$



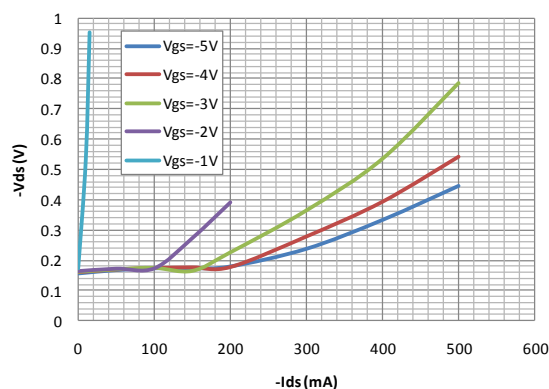
### Dropout Voltage (Vds) Vs. Charge current (Ids), $T = 80^{\circ}\text{C}$



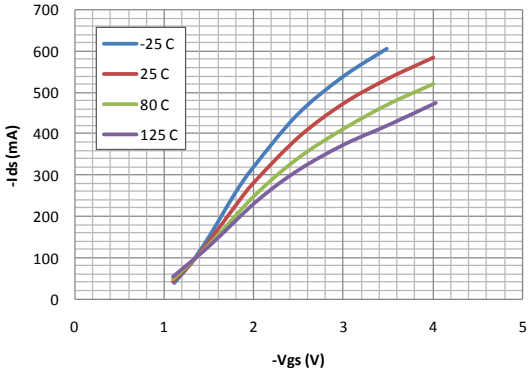
### Dropout Voltage (Vds) Vs. Charge current (Ids), $T = 125^{\circ}\text{C}$



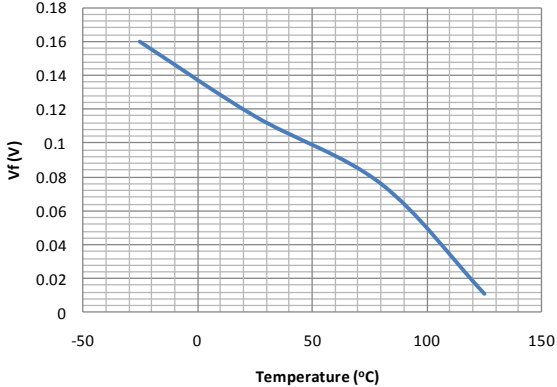
### Dropout Voltage (Vds) Vs. Charge current (Ids), $T = -25^{\circ}\text{C}$



Charge Current (Ids) Vs. Gate Voltage

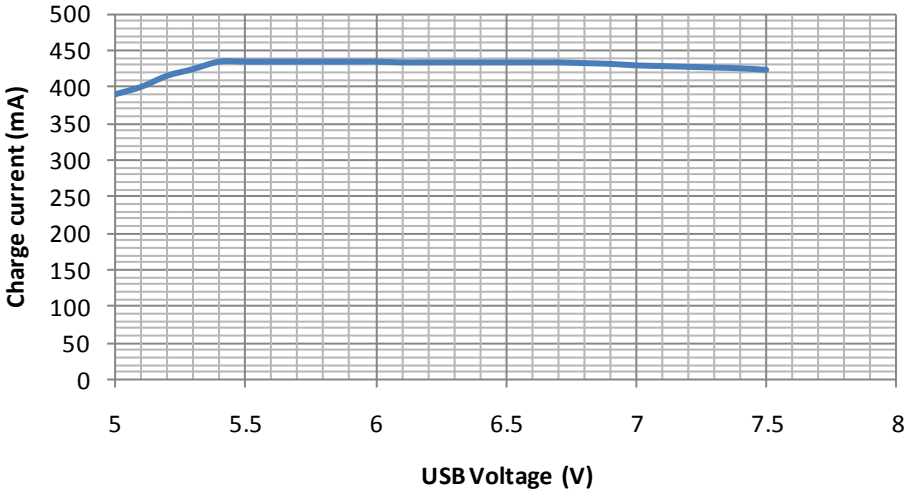


Schottky Diode Forward Voltage

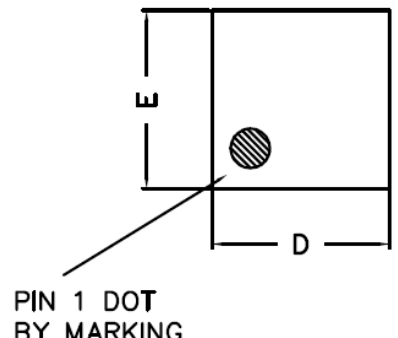
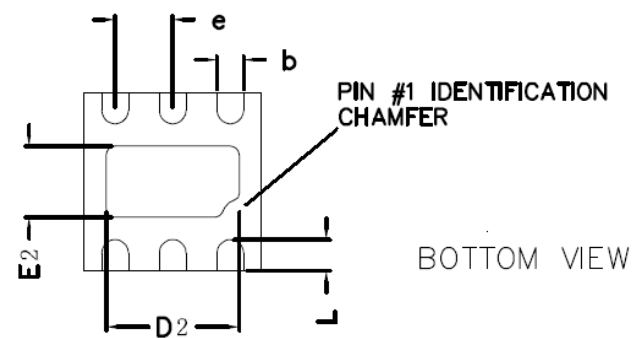
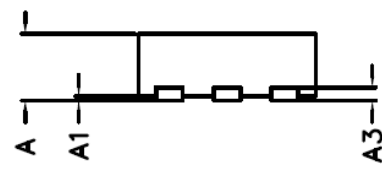


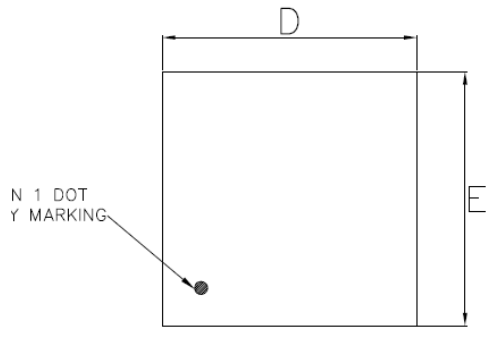
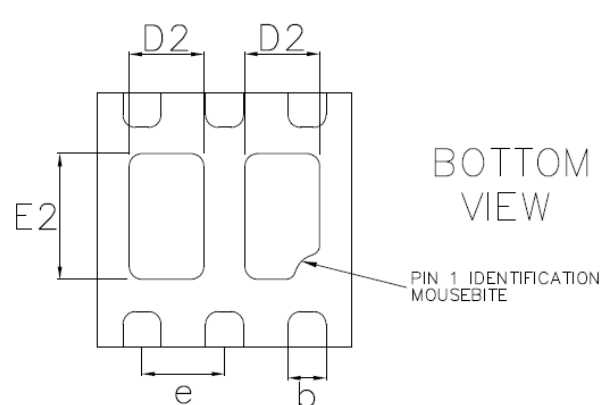
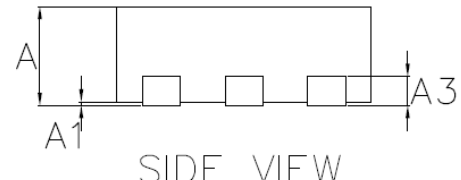
Charge current Vs USB voltage tested on actual cell phone powered by MTK chipset

Icharge



## PACKAGE OUTLINE

Package	DFN2x2-6 single pad	Devices per reel	3000	Unit	mm																																																			
Package specification:																																																								
 <p>PIN 1 DOT BY MARKING</p> <p>TOP VIEW</p>		 <p>PIN #1 IDENTIFICATION CHAMFER</p> <p>BOTTOM VIEW</p>																																																						
 <p>SIDE VIEW</p>		<table border="1"> <thead> <tr> <th colspan="4">COMMON DIMENSIONS(MM)</th> </tr> <tr> <th rowspan="2">PKG. REF.</th> <th colspan="3">W: VERY VERY THIN</th> </tr> <tr> <th>MIN.</th> <th>NOM.</th> <th>MAX</th> </tr> </thead> <tbody> <tr> <td>A</td> <td>0.70</td> <td>0.75</td> <td>0.80</td> </tr> <tr> <td>A1</td> <td>0.00</td> <td>-</td> <td>0.05</td> </tr> <tr> <td>A3</td> <td colspan="3">0.2 REF.</td> </tr> <tr> <td>D</td> <td>1.95</td> <td>2.00</td> <td>2.05</td> </tr> <tr> <td>E</td> <td>1.95</td> <td>2.00</td> <td>2.05</td> </tr> <tr> <td>b</td> <td>0.25</td> <td>0.30</td> <td>0.35</td> </tr> <tr> <td>L</td> <td>0.25</td> <td>0.35</td> <td>0.45</td> </tr> <tr> <td>D2</td> <td>1.35</td> <td>1.50</td> <td>1.60</td> </tr> <tr> <td>E2</td> <td>0.65</td> <td>0.80</td> <td>0.90</td> </tr> <tr> <td>e</td> <td colspan="3">0.65 BSC</td> </tr> </tbody> </table>				COMMON DIMENSIONS(MM)				PKG. REF.	W: VERY VERY THIN			MIN.	NOM.	MAX	A	0.70	0.75	0.80	A1	0.00	-	0.05	A3	0.2 REF.			D	1.95	2.00	2.05	E	1.95	2.00	2.05	b	0.25	0.30	0.35	L	0.25	0.35	0.45	D2	1.35	1.50	1.60	E2	0.65	0.80	0.90	e	0.65 BSC		
COMMON DIMENSIONS(MM)																																																								
PKG. REF.	W: VERY VERY THIN																																																							
	MIN.	NOM.	MAX																																																					
A	0.70	0.75	0.80																																																					
A1	0.00	-	0.05																																																					
A3	0.2 REF.																																																							
D	1.95	2.00	2.05																																																					
E	1.95	2.00	2.05																																																					
b	0.25	0.30	0.35																																																					
L	0.25	0.35	0.45																																																					
D2	1.35	1.50	1.60																																																					
E2	0.65	0.80	0.90																																																					
e	0.65 BSC																																																							

Package	DFN2x2-6 dual pad	Devices per reel	3000	Unit	mm																																																			
Package specification:																																																								
 <p>N 1 DOT Y MARKING</p> <p>TOP VIEW</p>		 <p>PIN 1 IDENTIFICATION MOUSEBITE</p> <p>BOTTOM VIEW</p>																																																						
 <p>SIDE VIEW</p>		<table border="1"> <thead> <tr> <th colspan="4">COMMON DIMENSIONS(MM)</th> </tr> <tr> <th rowspan="2">PKG. REF.</th> <th colspan="3">W: VERY VERY THIN</th> </tr> <tr> <th>MIN.</th> <th>NOM.</th> <th>MAX</th> </tr> </thead> <tbody> <tr> <td>A</td> <td>0.70</td> <td>0.75</td> <td>0.80</td> </tr> <tr> <td>A1</td> <td>0.00</td> <td>-</td> <td>0.05</td> </tr> <tr> <td>A3</td> <td colspan="3">0.20 REF.</td> </tr> <tr> <td>D</td> <td>1.95</td> <td>2.00</td> <td>2.05</td> </tr> <tr> <td>E</td> <td>1.95</td> <td>2.00</td> <td>2.05</td> </tr> <tr> <td>D2</td> <td>0.44</td> <td>0.59</td> <td>0.69</td> </tr> <tr> <td>E2</td> <td>0.84</td> <td>0.99</td> <td>1.09</td> </tr> <tr> <td>b</td> <td>0.25</td> <td>0.30</td> <td>0.35</td> </tr> <tr> <td>L</td> <td>0.175</td> <td>0.275</td> <td>0.375</td> </tr> <tr> <td>e</td> <td colspan="3">0.65 BSC</td> </tr> </tbody> </table>				COMMON DIMENSIONS(MM)				PKG. REF.	W: VERY VERY THIN			MIN.	NOM.	MAX	A	0.70	0.75	0.80	A1	0.00	-	0.05	A3	0.20 REF.			D	1.95	2.00	2.05	E	1.95	2.00	2.05	D2	0.44	0.59	0.69	E2	0.84	0.99	1.09	b	0.25	0.30	0.35	L	0.175	0.275	0.375	e	0.65 BSC		
COMMON DIMENSIONS(MM)																																																								
PKG. REF.	W: VERY VERY THIN																																																							
	MIN.	NOM.	MAX																																																					
A	0.70	0.75	0.80																																																					
A1	0.00	-	0.05																																																					
A3	0.20 REF.																																																							
D	1.95	2.00	2.05																																																					
E	1.95	2.00	2.05																																																					
D2	0.44	0.59	0.69																																																					
E2	0.84	0.99	1.09																																																					
b	0.25	0.30	0.35																																																					
L	0.175	0.275	0.375																																																					
e	0.65 BSC																																																							

Package	DFN1x1-5	Devices per reel	3000	Unit	mm																																																
Package specification:																																																					
<table border="1"> <thead> <tr> <th colspan="4">COMMON DIMENSIONS(MM)</th> </tr> <tr> <th>PKG. REF.</th> <th>MIN.</th> <th>NUM.</th> <th>MAX</th> </tr> </thead> <tbody> <tr> <td>A</td> <td>&gt;0.40</td> <td>-</td> <td>0.50</td> </tr> <tr> <td>A1</td> <td>0.00</td> <td>-</td> <td>0.05</td> </tr> <tr> <td>A3</td> <td colspan="3">0.125RFE</td> </tr> <tr> <td>b</td> <td>0.95</td> <td>1.00</td> <td>1.05</td> </tr> <tr> <td>E</td> <td>0.95</td> <td>1.00</td> <td>1.05</td> </tr> <tr> <td>D2</td> <td>0.45</td> <td>0.50</td> <td>0.55</td> </tr> <tr> <td>E2</td> <td>0.17</td> <td>0.22</td> <td>0.27</td> </tr> <tr> <td>L</td> <td>0.15</td> <td>0.20</td> <td>0.25</td> </tr> <tr> <td>b</td> <td>0.12</td> <td>0.15</td> <td>0.18</td> </tr> <tr> <td>e</td> <td colspan="3">0.35Bsc</td> </tr> </tbody> </table>						COMMON DIMENSIONS(MM)				PKG. REF.	MIN.	NUM.	MAX	A	>0.40	-	0.50	A1	0.00	-	0.05	A3	0.125RFE			b	0.95	1.00	1.05	E	0.95	1.00	1.05	D2	0.45	0.50	0.55	E2	0.17	0.22	0.27	L	0.15	0.20	0.25	b	0.12	0.15	0.18	e	0.35Bsc		
COMMON DIMENSIONS(MM)																																																					
PKG. REF.	MIN.	NUM.	MAX																																																		
A	>0.40	-	0.50																																																		
A1	0.00	-	0.05																																																		
A3	0.125RFE																																																				
b	0.95	1.00	1.05																																																		
E	0.95	1.00	1.05																																																		
D2	0.45	0.50	0.55																																																		
E2	0.17	0.22	0.27																																																		
L	0.15	0.20	0.25																																																		
b	0.12	0.15	0.18																																																		
e	0.35Bsc																																																				

Package	SC70-5	Devices per reel	3000	Unit	mm
Package specification:					