

**92**mm sq.

# San Ace 92

25mm thick (GA type), 25mm thick (S type)  
 25mm thick, 25mm thick (San Cooler)  
 32mm thick (G type), 38mm thick (GA type)  
**38mm thick (GV type), 38mm thick (G type)**



## General Specifications

- Material ..... Frame: Plastics (Flammability: UL94V-0),  
 Impeller: Plastics (Flammability: UL94V-1)
- Expected Life ..... Refer to specifications (L10:Survival rate:90% at 60°C ,  
 rated voltage, and continuously run in a free air state)
- Lead Wire ..... ⊕red ⊖black (Sensor) yellow (Control) brown
- Storage Temperature ..... -30°C to +70°C (Non-condensing)

**92×92×38mm** (Mass : 250g) **GV type**

## Specifications

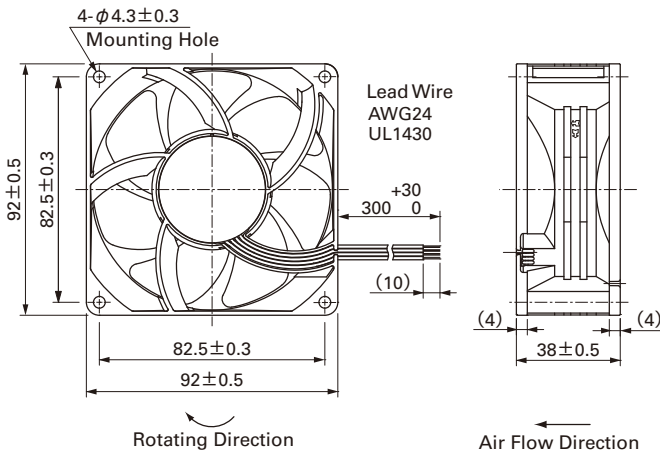
The following nos. **have PWM controls, pulse sensors, and ribs.** For ribless, append "1" to the model no.

Model No.	Rated Voltage [V]	Operating Voltage Range [V]	PWM duty cycle※ [%]	Rated Current [A]	Rated Input [W]	Rated Speed [min <sup>-1</sup> ]	Max. Air Flow [m <sup>3</sup> /min] [CFM]	Max. Static Pressure [Pa] [inchH <sub>2</sub> O]	SPL [dB(A)]	Operating Temperature [°C]	Expected Life [h]
9GV0912P1G03	12	10.8 to 13.2	100	4.10	49.2	9,000	5.35 189.0	430.0 1.73	68	-20 to +70	40,000
			0	0.33	4.0	2,900	1.72 60.8	44.6 0.18	37		
9GV0912P1H03	12	10.2 to 13.8	100	3.50	42.0	8,500	5.05 178.0	385.0 1.55	64		
			0	0.29	3.5	2,700	1.60 56.5	38.8 0.16	34		
9GV0948P1H03	48	40.8 to 55.2	100	0.82	39.4	8,500	5.05 178.0	385.0 1.55	64		
			0	0.14	6.7	4,000	2.37 83.7	85.2 0.34	45		

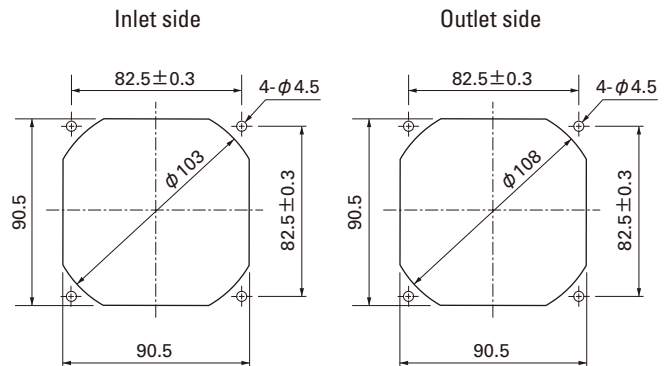
※PWM Frequency : 25kHz

Available options: ⇒ **Without Sensor** **Pulse Sensor**

## Dimensions (Unit : mm) (With ribs)



## Reference dimension of mounting holes and vent opening (Unit : mm)

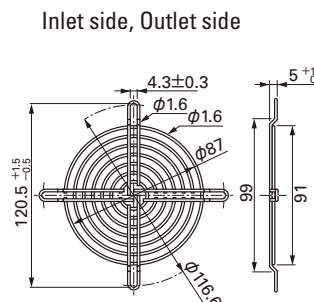
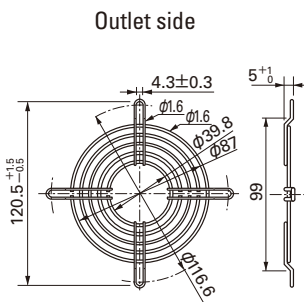


## Options (Unit : mm)

### Finger guards

Model : 109-099C Surface treatment : Nickel-chrome plating (silver) Color

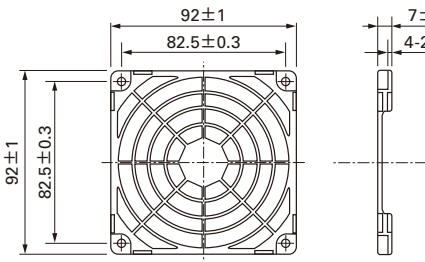
Model : 109-099E Surface treatment : Nickel-chrome plating (silver) Color  
 : 109-099H : Cation electropainting (black)



**Options (Unit : mm)**

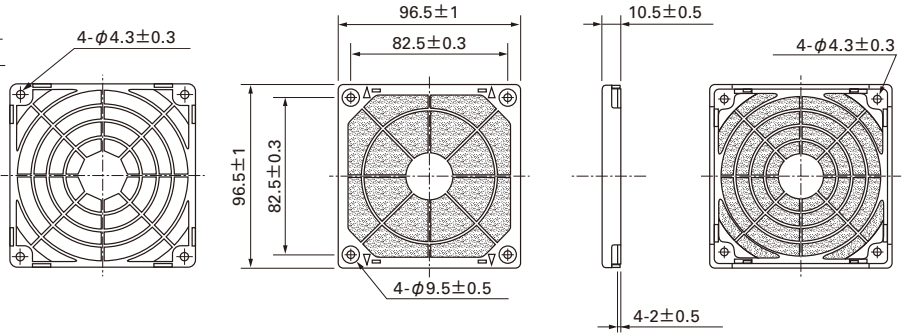
**Resin finger guards**

Model : 109-1001G



**Resin filter kits**

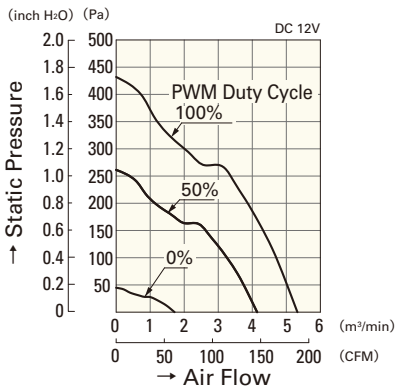
Model : 109-1001F13 (13PPI), 109-1001F20 (20PPI)  
: 109-1001F30 (30PPI), 109-1001F40 (40PPI)



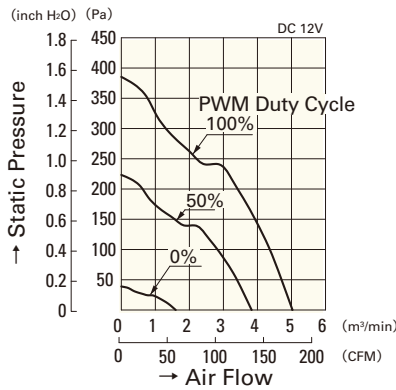
DC Fan 92mm

**Air Flow - Static Pressure Characteristics**

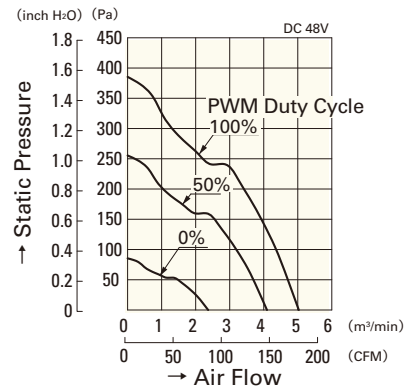
**PWM Duty Cycle**



**9GV0912P1G03**

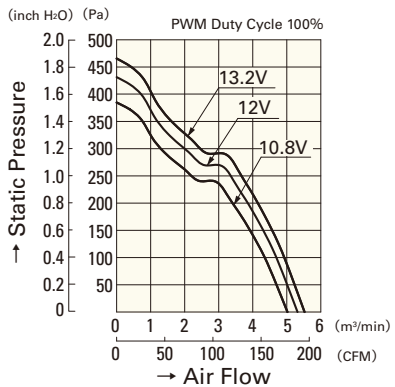


**9GV0912P1H03**

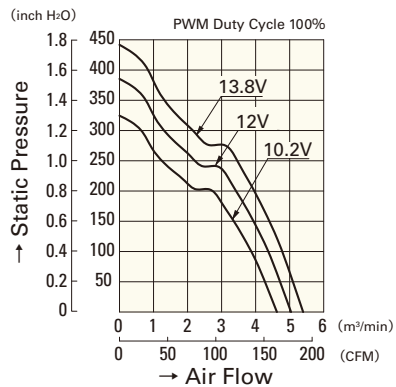


**9GV0948P1H03**

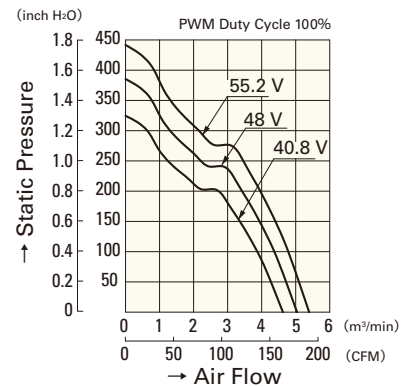
**Operating Voltage Range**



**9GV0912P1G03**

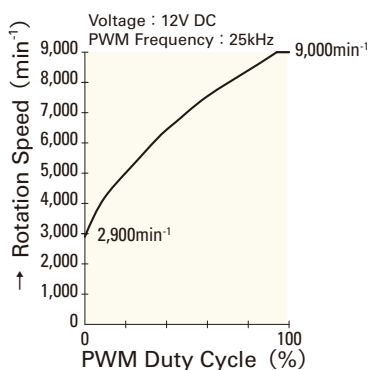


**9GV0912P1H03**

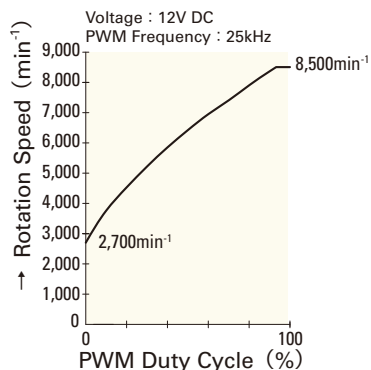


**9GV0948P1H03**

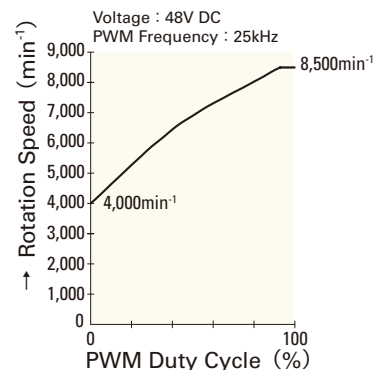
**PWM Duty - Speed Characteristics Example**



**9GV0912P1G03**



**9GV0912P1H03**



**9GV0948P1H03**