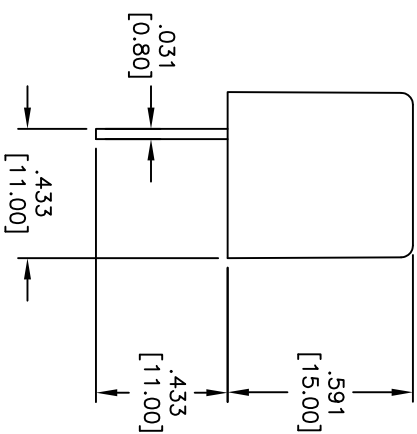
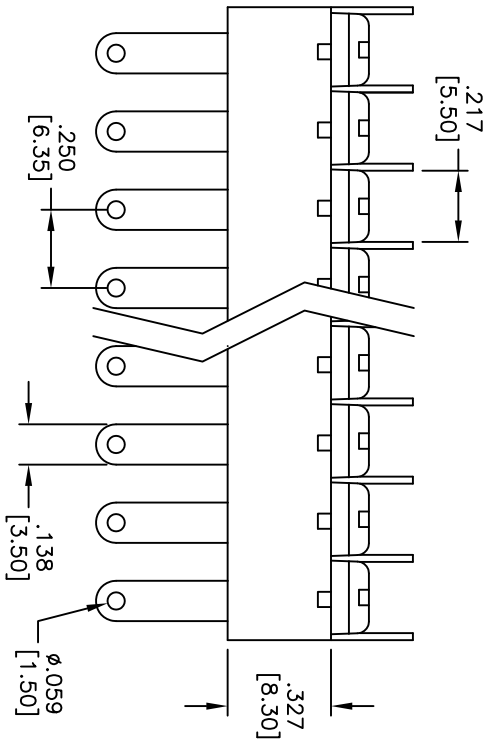
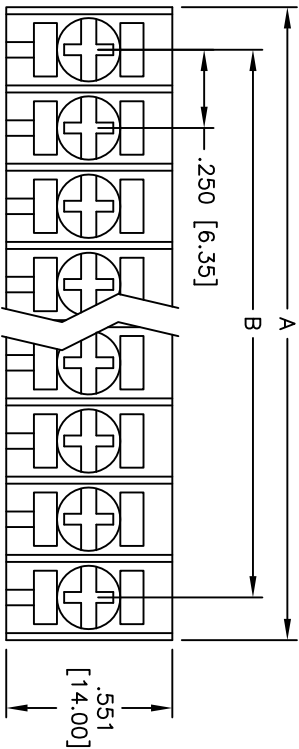


APPROVED: _____
 DATE: _____ TITLE: _____

Rev	AWO #	Description	Date	Appr
-		RELEASED	6/7/05	
A		REDRAWN	9/23/10	



SPECIFICATIONS:
 Material: Nylon 66, rated UL 94V-0
 Insulator color: Black
 Contact: Brass, Tin plated
 Screw: Brass, M3, Nickel plated

Electrical:
 Operating voltage: 300 VAC max.
 Current rating: 10 Amps max.
 Insulation resistance: 1000 Mohms min @ DC500V
 Insulation withstands voltage: AC 2000V/min

Mechanical:
 Wire range: 18 - 22 AWG
 Temperature Rating: Operating temperature: -40°C to +120°C
 Environmental: Lead free, RoHS compliant
 Recommended soldering temp: 235°C for 5 seconds

Positions: 2 thru 32
 A = .250 [6.35] x No. of Positions + .049 [1.25]
 B = .250 [6.35] x No. of Spaces

ADAM TECH

909 Rahway Avenue, Union, NJ 07083
 Phone: 908-687-5000 Fax: 908-687-5710

TITLE: .250 [6.35] CENTERLINE BARRIER BLOCK
 CLIP TITE TERMINALS, BARRIER ENDS

UNLESS OTHERWISE SPECIFIED ALL DIMENSIONS ARE IN INCHES [MM]	
TOLERANCES: EXCEPT AS NOTED	
INCHES	HOLES
.X ± .10	ØX ± .10
.XX ± .020	ØXXX ± .015
.XXX ± .015	ØXXXX ± .010
APPROVALS	DATE
DRAWN SS	6/7/05
CHECKED	
APPROVED	

SIZE	PART NO.	REV.
X	TBA-XX-04-B	A
REF:	S00031T	
SCALE:	NTS	
SHEET	1 OF 1	

