



Select site:

Search

[Advanced search / Selection guides](#)

Products Logic **Multiplexers**

Applications Looking for

CBTL06141

[Preview](#)

[Product information](#)

[Selection guide](#)

Datasheet

CBTL06141

Datasheet confidential

[Request datasheet](#)

CBTL06141 - Gen1 Hex Display Multiplexer with 4:1 DDC/AUX Multiplexer

[General description](#)
[Features](#)
[Products/packages](#)
[Chemical content](#)

[Pricing/ordering/availability](#)
[Samples](#)
[Applications](#)
[Block diagrams/pinning](#)

[Design support](#)
[Parameters/similar products](#)
[Print/email](#)

See also

See the answers to FAQ's on certain fields of interest
 Find NXP's equivalent of a competitor's part number
 View case studies on general applications or technologies
 Request contact with a technical expert
 Find more information on NXP's Vision
 Find out more about our ordering process
 Receive e-news on specific interest areas

General description

[Hide](#)

To support the new, high-speed motherboard graphics chipsets from Intel, AMD/ATI, and nVidia, these devices provide configurable routing of high-speed differential signals to DisplayPort and PCIe connectors, and use a high-bandwidth, 2:1 multiplexing or 1:2 demultiplexing topology to preserve signal integrity.

[Back to top](#)

Features

[Hide](#)

High-bandwidth analog pass-gate technology
 Extremely low power operation and shutdown power consumption
 6 channels of switching/muxing supporting DisplayPort Gen1 and PCIe Gen2 signals
 1:4 / 4:1 switching/muxing supporting AUX and DDC channels

[Back to top](#)

Products/packages

[Hide](#)

Type number	Orderable part number	Ordering code (12NC)	Product status	Package	Packing	Marking	Chemical content	Leadfree conversion date
CBTL06141EE/G	CBTL06141EE/G,118	9352 857 44118	Volume production	SOT918-1 (TFBGA48)	Reel Pack, SMD, 13"	Standard Marking	CBTL06141EE/G	Always Pb-free

[Back to top](#)

Pricing/ordering/availability

[Hide](#)

Type number	Ordering code (12NC)	Orderable part number	Indicative price/unit(\$)	Region	Distributor	In stock	Order quantity	Inventory date	Buy online	Samples
CBTL06141EE/G	9352 857 44118	CBTL06141EE/G,118		ASIA	SAC - Taiwan	yes	3000	07/21/2009	Buy online	not available
				NA	MOUSER ELECTRONICS	50		7/18/2009	Buy online	

[Back to top](#)

Applications

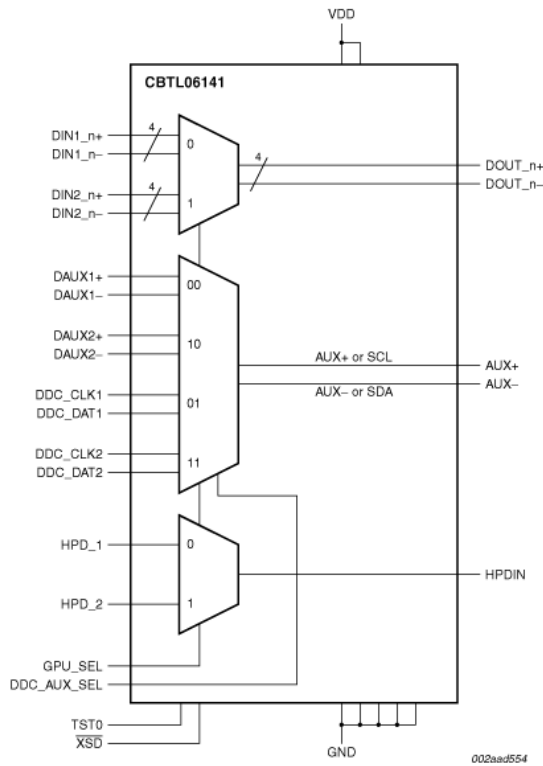
[Hide](#)

Desktop and notebook PC motherboards and docking stations with DisplayPort and PCIe connectivity

[Back to top](#)

Block diagrams/pinning

[Hide](#)



[Back to top](#)

Design support

[Hide](#)

Application Notes

AN10798_1:DisplayPort PCB layout guidelines (2009-03-05)

Support Documents

75016137; NXP six-channel display 2:1 multiplexers / 1:2 demultiplexers CBTL06121/122/141 (2007-12-01)

[Back to top](#)

Parametrics/similar products

[Hide](#)

Type number	Package	Supply voltage(V)	Standby current(uA)	Operating temp.(Cel)	Bandwidth	Number of channels	Supply current(mA)
CBTL06141EE/G	SOT918-1 (TFBGA48)	3.0-3.6	10	-10-+85	2.7 Gbps	6	1

Similar products

CBTL06141 links to the similar products page containing an overview of products that are similar in function or related to the type number(s) as listed on this page. The similar products page includes products from the same catalog tree(s), relevant selection guides and products from the same functional category.

[Back to top](#)

Print/email

[Hide](#)

[Email this product information](#)
[Print this product information](#)

[Back to top](#)

Disclaimer

[Hide](#)

The information published on product information pages of the www.nxp.com or www.semiconductors.com websites is an extract from product data sheets and is for information purposes only. For detailed information please check the most recent version of the relevant product data sheet as published on these websites. In the event of any conflict between product information pages and data sheets or deviations from information provided in the product data sheets on these product information pages, the information provided in the product data sheets shall prevail.

The product status of the product(s) described in the product data sheet may have changed since publication of the data sheet and therefore information in datasheets on product status may be outdated. The latest information on product status is published on the product information pages of the above-mentioned websites.

As from October 1st, 2006 Philips Semiconductors has a new trade name - NXP Semiconductors, which will be used in future data sheets together with new contact details. In data sheets where the previous Philips references remain, please use the new links as shown below.

<http://www.philips.semiconductors.com> use <http://www.nxp.com>
<http://www.semiconductors.philips.com> use <http://www.nxp.com> (Internet)
sales.addresses@www.semiconductors.philips.com use salesaddresses@semiconductors.com (e-mail)

The copyright notice at the bottom of each page (or elsewhere in the document, depending on the version)
 - © Koninklijke Philips Electronics N.V. (year). All rights reserved -
 is replaced with:
 - © NXP B.V. (year). All rights reserved.-

If you have any questions related to the data sheet, please contact our nearest sales office via e-mail or phone (details via salesaddresses@semiconductors.com). Thank you for your cooperation and understanding.

