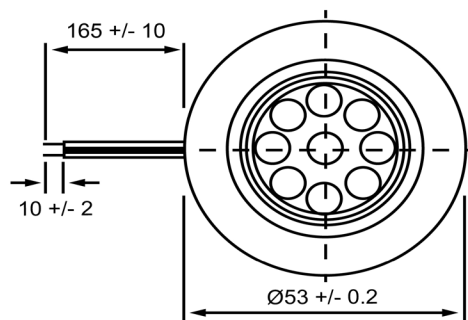
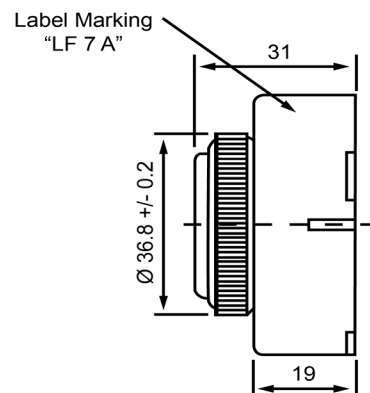


TOP VIEW



SIDE VIEW



Specifications

Description	Value	Unit
Technology	Piezo	
Resonant Frequency	2,800	(Hz)
Rated Voltage	6	(V)
SPL @ 10cm	103	(dBA)
Tone	Single	
Mount Type	Panel	
Voltage Range	3 ~ 12	(V)
Max Rated Current	20	(mA)
Housing Material	NORYL	
Operating Temperature	-30 ~ +70	°C
Storage Temperature	-30 ~ +70	°C
Weight	38	(g)

Notes

- 1) All dimensions are in mm unless otherwise noted
- 2) All parts meet RoHS



DB UNLIMITED

Piezo Indicator

Revision History

Version	Description			Date	Approved
1	Released from Engineering			10/21/2013	J.S

IP532806-1