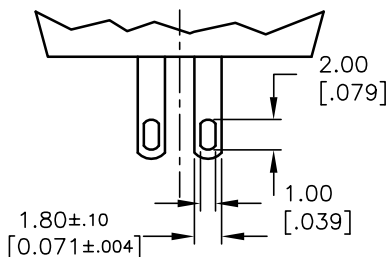
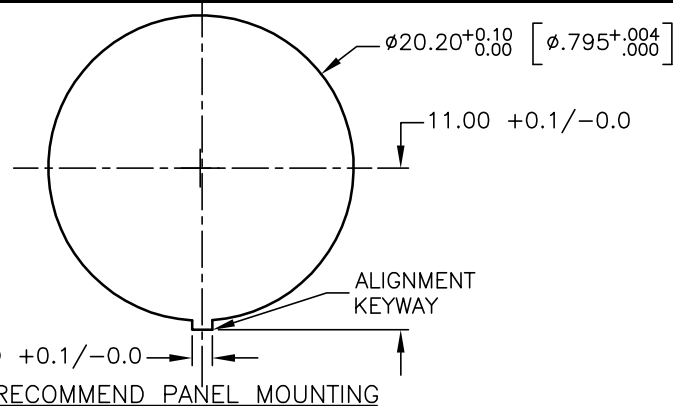
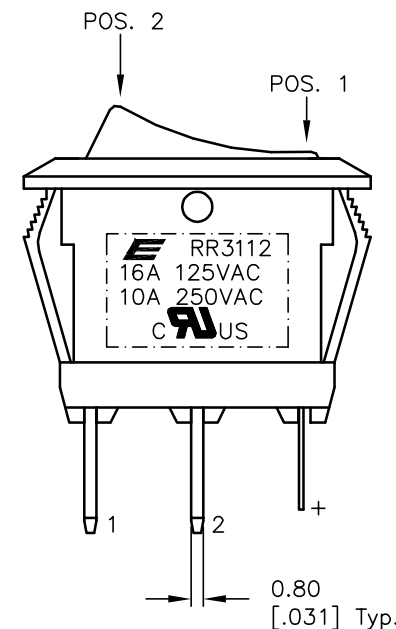
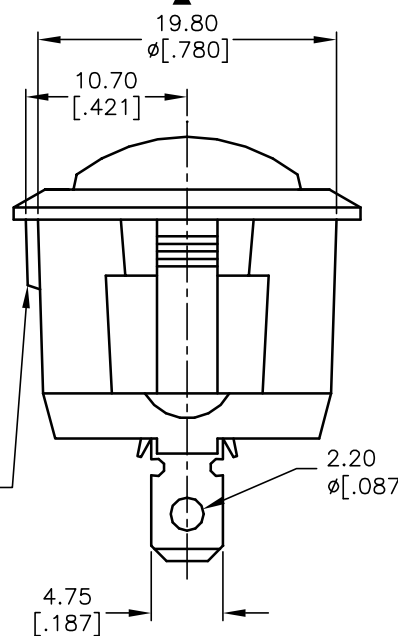
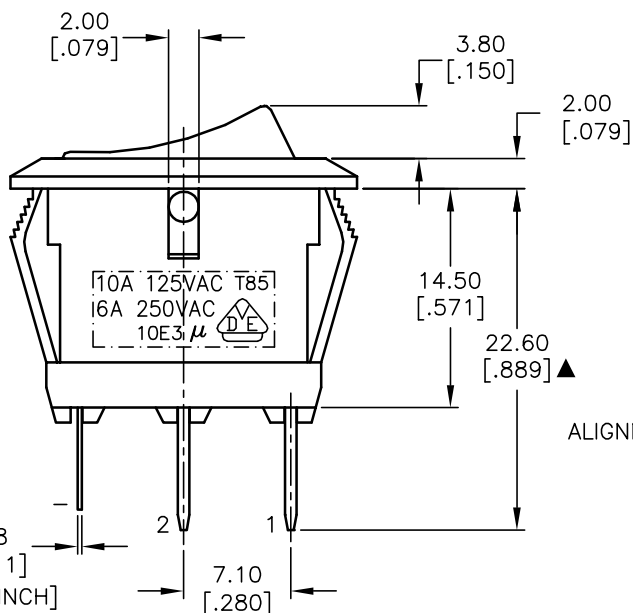


CIRCUIT: 2P; SPST  
CONTACT CONFIGURATION  
ON-OFF (ILLUMINATED)



LED LEAD DETAIL



SWITCH FUNCTION	
POS. 1	POS. 2
ON	OFF
2-1	OPEN

NOTES:

- ALL DIMENSIONS IN MM [INCH]
- GENERAL TOLERANCE: 0.0=±0.4  
0.00=±0.25
- TERM. NOS. FOR REF. ONLY
- RATING: 16A, 125VAC, 10A, 250VAC UL&CUL APPROVED  
10A 125VAC, 6A 250V AC VDE APPROVED
- CONTACT RESISTANCE: 50m ohm max.
- INSULATION RESISTANCE: DC 500V 100M ohm min.
- DIELECTRIC STRENGTHS: AC 1500V 1 minute
- OPERATING TEMP.: 0°C to 85°C
- 12V RED LED
- ▲ DENOTES CRITICAL PARAMETER.

**E-SWITCH®**

TITLE				
RR3112LBLKREDREDEF4				
SCALE	DATE	DR	DWG	REV
2:1	4/26/04	AR	F130454	A

A	13949	RELEASED FOR PRODUCTION	4/26/04	AR
REV.	ECN No.	DESCRIPTION	DATE	CHKD

THE INFORMATION CONTAINED IN THIS DOCUMENT IS PROPRIETARY TO E-SWITCH AND IS NOT TO BE COPIED OR TRANSFERRED