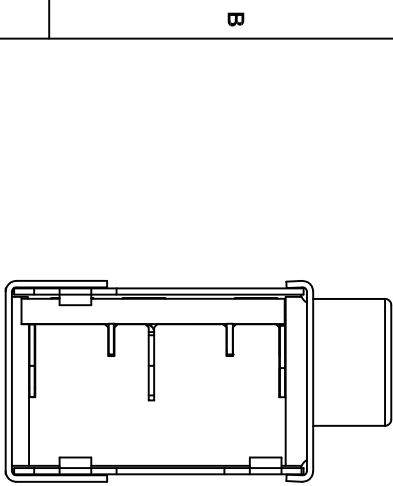
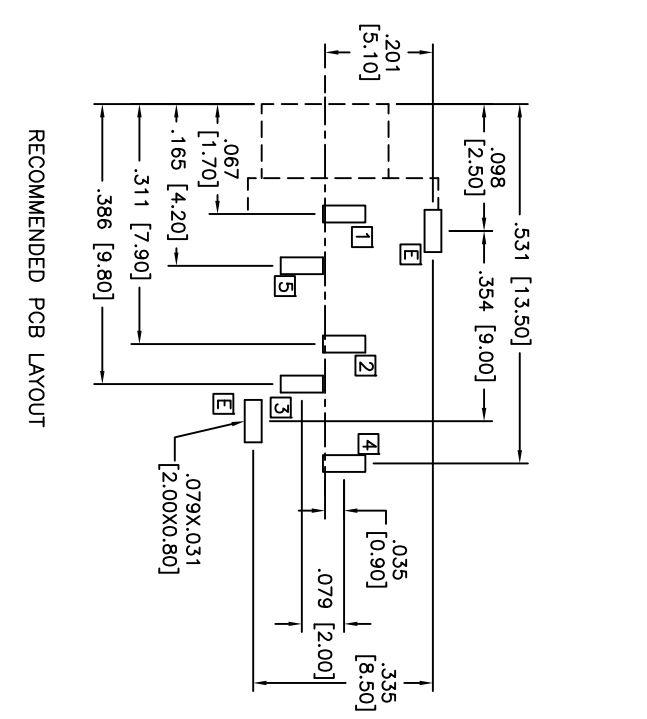
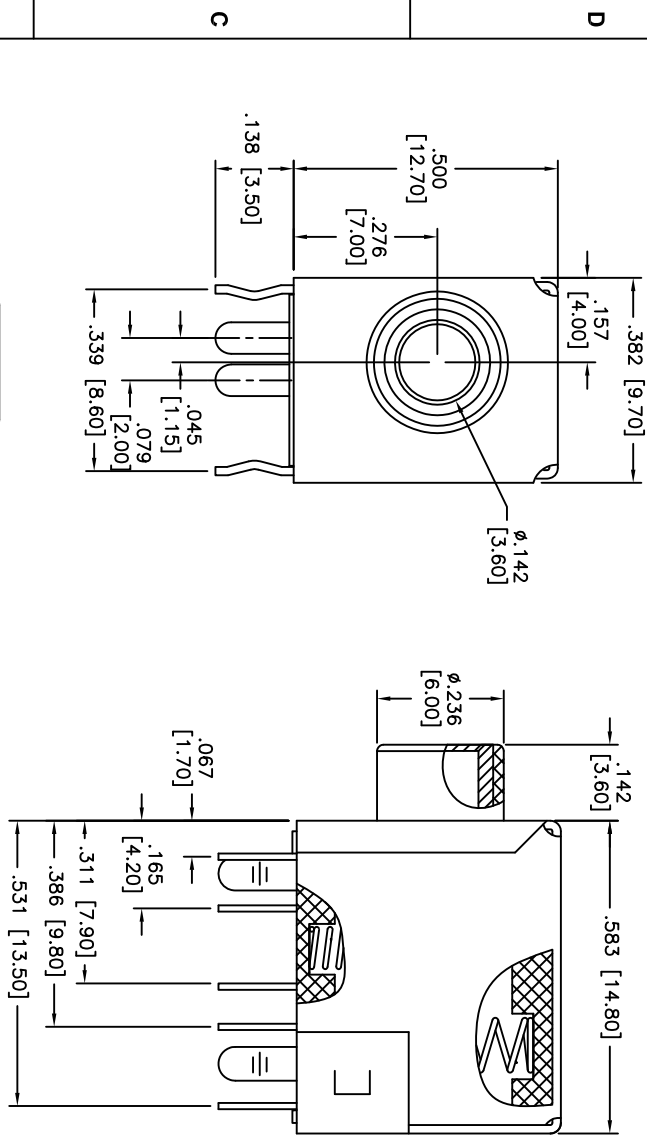


Rev	AWO #	Description	Date	Appr
-		RELEASED	3/27/09	

APPROVED: _____
 DATE: _____ TITLE: _____



CONTACT FORM	ASJ-100-3-PBM	ASJ-100-3A-PBM	ASJ-100-4B-PBM	ASJ-100-5-PBM
SCHMATIC				

SPECIFICATIONS:

Material: Housing: Nylon 9T, Rated UL94V-0
 Contacts: Copper Alloy
 Shell: Steel, Nickel plated
 Plating: Tin over Copper underplate
 Electrical: Rating: DC 30V, 0.5A max.
 Contact Resistance: 30 mOhm Max
 Insulation Resistance: 100 Mohm Min @ DC 250V
 Dielectric Withstanding Voltage: 500V AC For 1 Minute.
 Environmental: Lead free, RoHS compliant.
 Recommended soldering temp: 260°C for 5 sec.



ADAM TECH

909 Rahway Avenue, Union, NJ 07083
 Phone: 908-687-5000 Fax: 908-687-5710

3.5MM STEREO PHONE JACK

UNLESS OTHERWISE SPECIFIED ALL DIMENSIONS ARE INCHES [MM] TOLERANCES: EXCEPT AS NOTED INCHES HOLE SIZES		DATE	
.X ± .10	ØXX ± .10	ØXX ± .10	DATE
.XX ± .020	ØXXX ± .015	ØXXX ± .015	
.XXX ± .015	ØXXXX ± .010	ØXXXX ± .010	
APPROVALS	DATE		
DRAWN	DY	3/27/09	
CHECKED			
APPROVED			
REF: S00002C	SCALE: NTS	SHEET 1 OF 1	REV.