

# 3,000V Surface Mount Multiplier

Original Release: 05-17-10

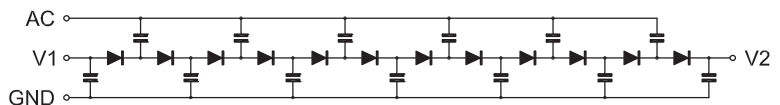
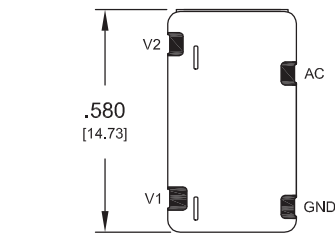
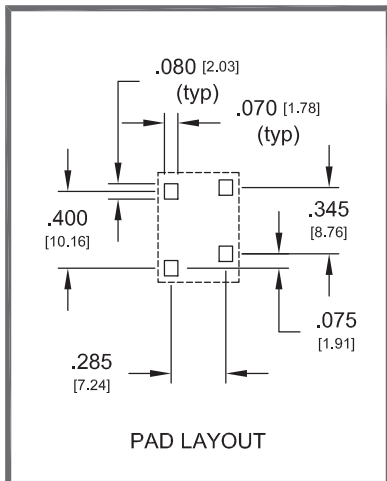
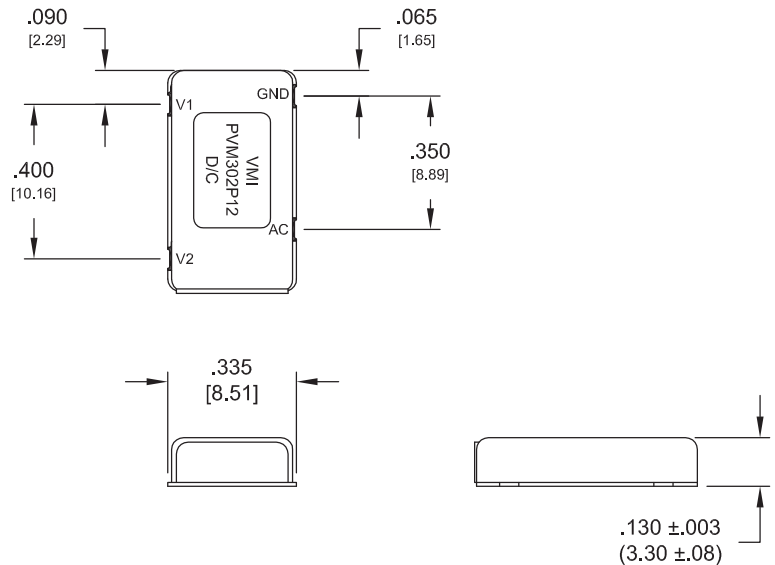
1.0 $\mu$ A - 50.0 $\mu$ A • 12 Stages

ELECTRICAL CHARACTERISTICS AND MAXIMUM RATINGS						
Part Number	Maximum A.C. Input Voltage	Maximum D.C. Output Voltage (One Multiplier)	Maximum D.C. Output Voltage (Two Multipliers in Series or Floating)	Typical Output Current Range (1)	Typical Frequency	Number of Stages
	V <sub>PP</sub>	V <sub>DC</sub>	V <sub>DC</sub>	$\mu$ A	kHz	
PVM302P12	600	3000	6000	1.0 - 50.0	10 - 100	12
Operating Temp: -55°C to +150°C			Storage Temp: -65°C to +150°C			

(1) Refer to load lines on next page.

Plating:  
Electroless Nickel / Immersion Gold  
Sn100CL Solder Finish, Hot air leveling  
per IPC-4552.

Tolerance:  
.XXX  $\pm$ .010



Dimensions: In. (mm) • All temperatures are ambient unless otherwise noted. • Data subject to change without notice.



Voltage Multipliers Inc.

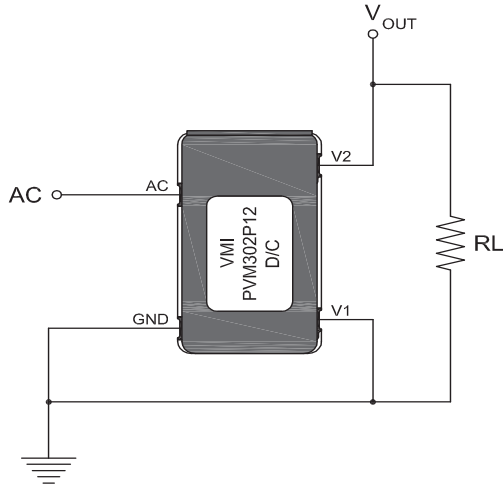
8711 W. Roosevelt Ave.  
Visalia, CA 93291 USA

Tel: 559.651.1402  
Fax: 559.651.0740

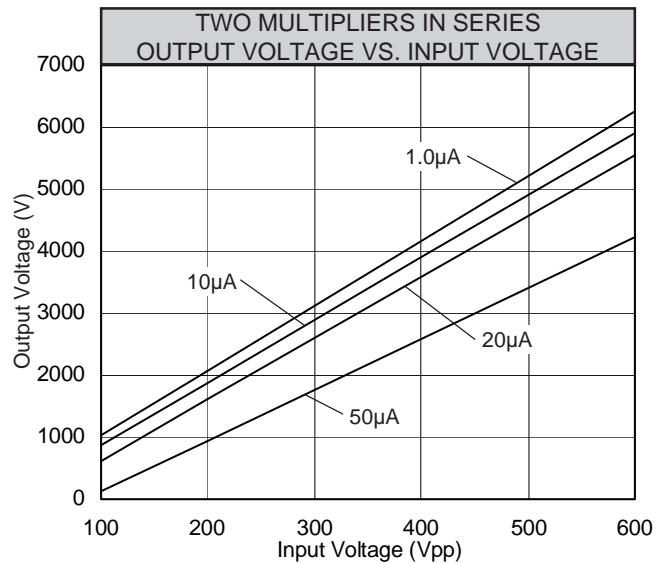
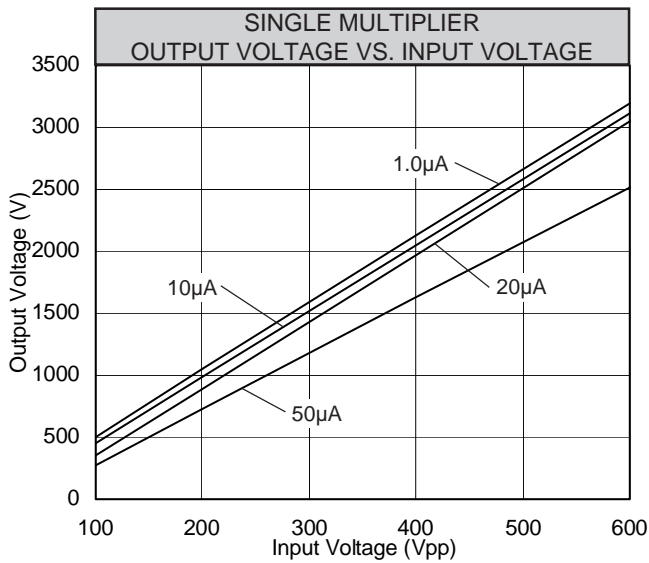
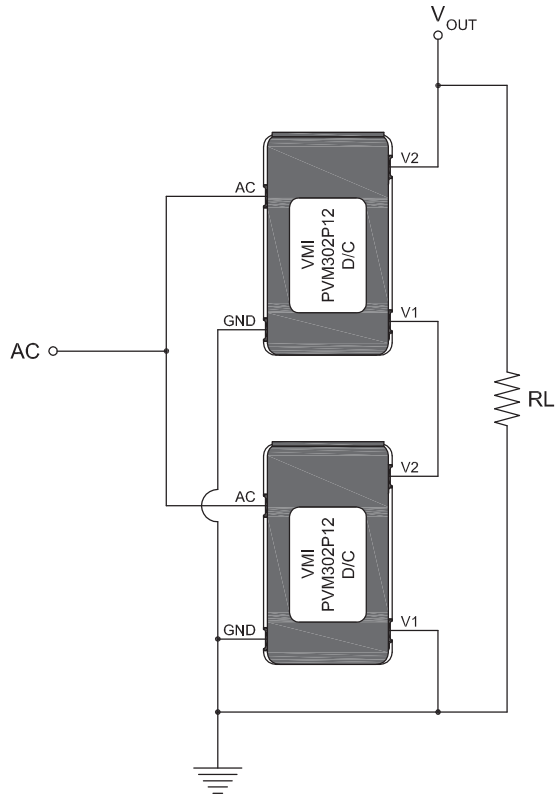
www.voltagemultipliers.com  
www.highvoltagepowersupplies.com

# PVM302P12

Typical Single Multiplier Circuit



Typical Circuit Showing Two Multipliers in Series



Dimensions: In. (mm) • All temperatures are ambient unless otherwise noted. • Data subject to change without notice.



Voltage Multipliers Inc.

8711 W. Roosevelt Ave.  
Visalia, CA 93291 USA

Tel: 559.651.1402  
Fax: 559.651.0740

www.voltagemultipliers.com  
www.highvoltagepowersupplies.com