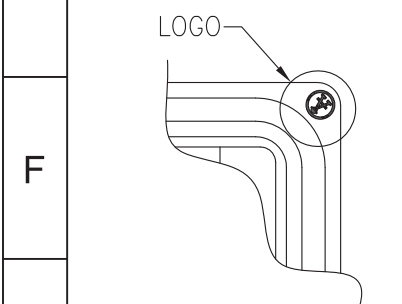
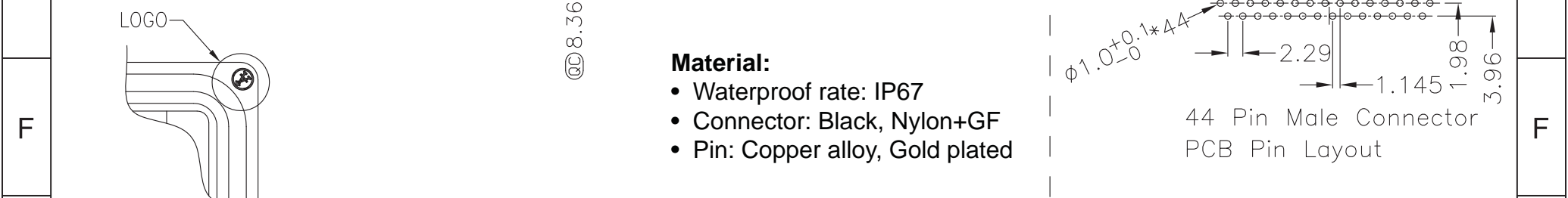
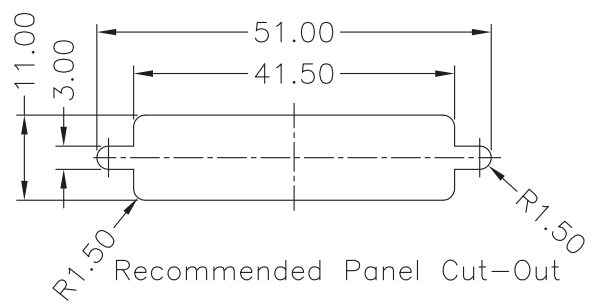
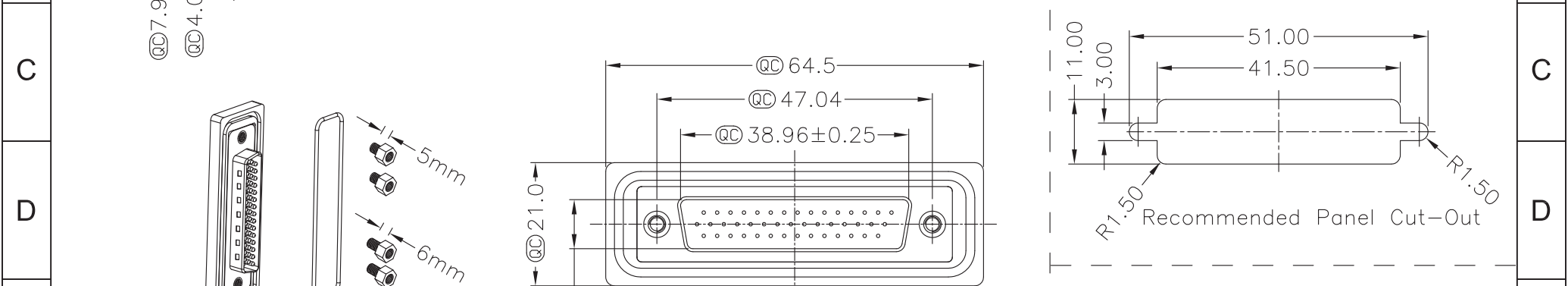


Panel Thickness

Screw L=5.0 For Panel Thickness Under 1.2mm

Screw L=6.0 For Panel Thickness Between 1.2~2.0mm



- Material:**
- Waterproof rate: IP67
 - Connector: Black, Nylon+GF
 - Pin: Copper alloy, Gold plated

Unit: mm



Scale	Free					Date	Name	Title
TOLERANCE						Drawn	30.11.11	Chappell
X.X	±0.25					Approved		
X.XX	±0.10							ASSMANN WSW-No.
X.XXX	±0.05							A-HDS44PP-WP-R
DIM	TOL							Drawing-No.
X.°	±1°							rev00
X.X°	±X°							Replace
Angle	TOL	Id.	Modification	Date	Name			Sheet
								1/1