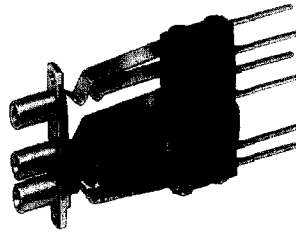


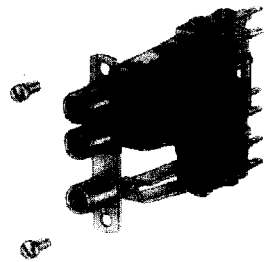
## TT-JAX® (.173") TELEPHONE TRIPLE JACKS BANTAM TYPE®

### FEATURES

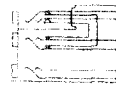
- Steel or die-cast frames.
- TT95 Tri-Jax® jacks: three, 3-conductor jacks on one frame. Twin jacks, (on .312 inch centers, LINE & EQUIPMENT functions), have strapped shunts installed. The third jack (MONITOR) is unwired. See TT95 schematic.
- TT96 Tri-Jax jacks: Same as TT95 jacks, except third jack (MONITOR) has tip and ring springs, respectively, jumpered to tip and ring springs of top (LINE) jack.
- Selection of solder lugs or wire-wrapping terminals.
- Palladium welded crossbar contact are standard in switching circuits.
- TT95, TT95DC, WTT95 and WTT95DC jacks mount in Series B1700 jack panels.
- TT95FM, TT95FMDC, TT96FM, TT96FMDC and wire-wrapping versions mount in Series TT53, TT54, TT57 and TT58 jack panels.



WTT95DC  
DIE-CAST FRAME (Special order only)



TT95FM  
STEEL FRAME



TT95 SCHEMATIC



TT96 SCHEMATIC

Solder Lugs		Wire-Wrapping Terminals		Conductors	Schematic	Typical Mating Plug <sup>1</sup>
Steel	Die Cast	Steel	Die Cast			
TT95	◊TT95DC	WTT95	◊WTT95DC	3 Plus Twin-3	TT95	TT253
TT95FM	◊TT95FMDC	WTT95FM	◊WTT95FMDC		TT95	and
TT96FM	◊TT96FMDC	WTT96FM	◊WTT96FMDC		TT96	TT263

◊ Special order only

### SPECIFICATIONS

**Frame:** Plated (steel or diecast)

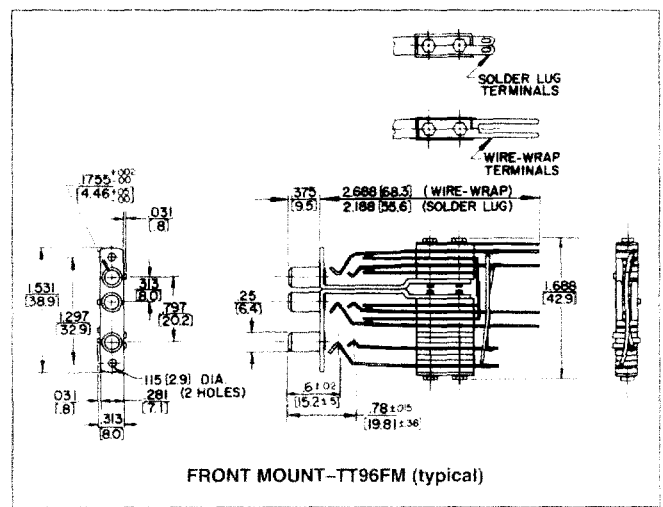
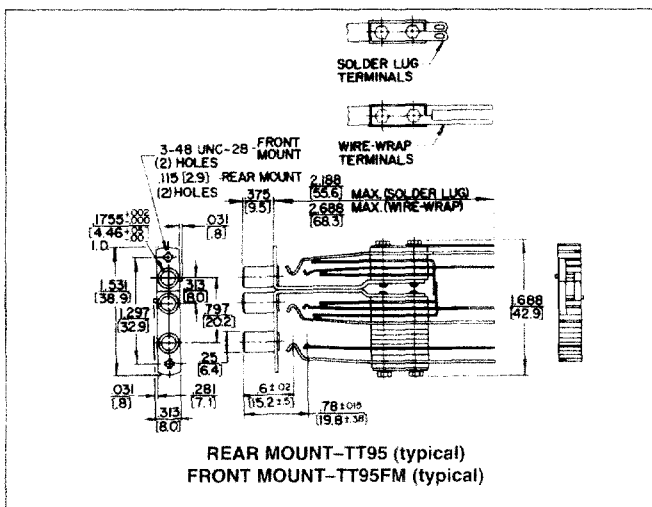
**Stack Screws:** Stainless steel.

**Bushings:** Plated (steel or copper alloy).

**Contact Springs:** Copper alloy.

**Contacts:** Welded crossbar palladium. Other precious metal alloys in various sizes available on special order.

**Mounting Hardware:** #3-48 x 1/4 inch mounting screws, **P10834**, can be ordered separately for rear mount jacks. Two mounting screws, **P25424**, are supplied with front mount jacks.



DIMENSIONS ARE FOR REFERENCE ONLY  $\frac{\text{Inch}}{\text{(mm)}}$

NOTE: Contact your Switchcraft Representative for price and delivery.