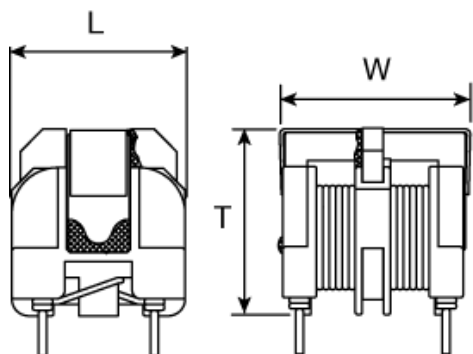


Leaded Common Mode Choke Coils for AC lines

TLH10UA8720R7



■ Features

- Item Summary
0.7A, Leaded
- Lifecycle Stage
Mass Production
- Standard packaging quantity (minimum)
Bulk 500pcs

■ Products characteristics table

External Dimensions	16(max) × 18(max)mm
Inductance	8.7mH(0% to -)
Inductance Measuring Frequency	1kHz
DC Resistance (max)	0.878Ω
Rated Current	0.7A
Resistance	100MΩ min.
RoHS Compliance	Yes
Soldering Method	Wave

■ External Dimensions

L	16mm max
W	18mm max
T	17.5mm max

2015.06.01

The data is reference only. Electrical characteristics vary depending on environment or measurement condition.
 TAIYO YUDEN reserves the right to make change to the Date at any time without notice.
 Before making final selection, please check product specification.