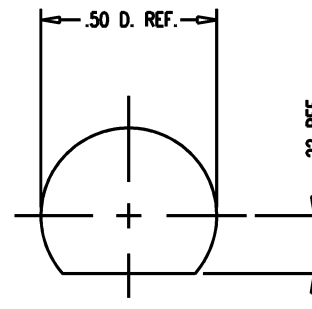
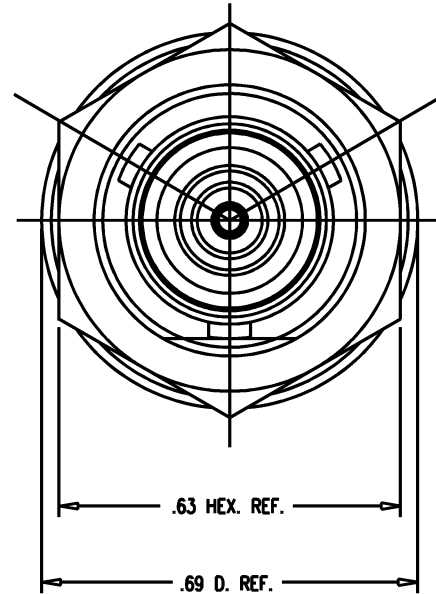
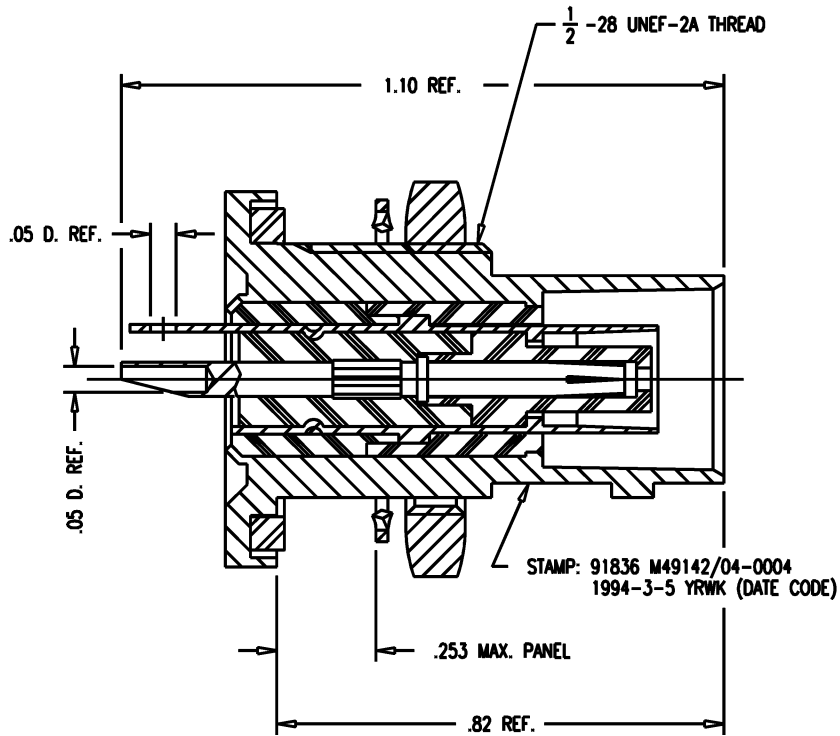


GSD



MOUNTING HOLE

GSD

M49142/04-0004

REVISIONS

ISSUE	CHANGES
2	CN 31433 C KH 05/14/90
3	CN 32735 A WJM 12/06/90
4	CN 36666 C KH 11/14/95
5	CN 37318 D KH 04/21/97
6	CN 37953 C JPK 12/06/99

199435S

- NOTES:
- INTERFACE, PER MIL-STD-348, FIG. 201-2.
 - MATERIALS:
 INSULATORS: TEFLON, ASTM-D-4894
 CENTER CONTACT: BER. COPPER, ASTM-B-196
 LOCKWASHER: PHOSPHOR BRONZE, ASTM-B-103
 GASKET: SILICONE RUBBER, ZZ-R-765
 ALL OTHER METAL PARTS: BRASS, ASTM-B16
 - FINISHES:
 CENTER CONTACT: HARD GOLD PLATE, PER MIL-G-45204
 ALL OTHER METAL PARTS: SILVER PLATE, QQ-S-365
 - ELECTRICAL CHARACTERISTICS:
 WORKING VOLTAGE: 400 VRMS
 FREQUENCY RANGE: DC TO 500 MHz.

SCALE	4:1	
APPROX SURFACE AREA	1994-3-5	
USED ON		
REF:	RECEPTACLE, BULKHEAD, (3 STUD) TRB	
DRAWN	WJM	DATE 10/03/90
DESIGN	CT	DATE 10/04/90
APPR.	JT	DATE 10/04/90

KINGS
 ELECTRONICS CO., INC.
 ROCK HILL, SOUTH CAROLINA 29730

M49142/04-0004