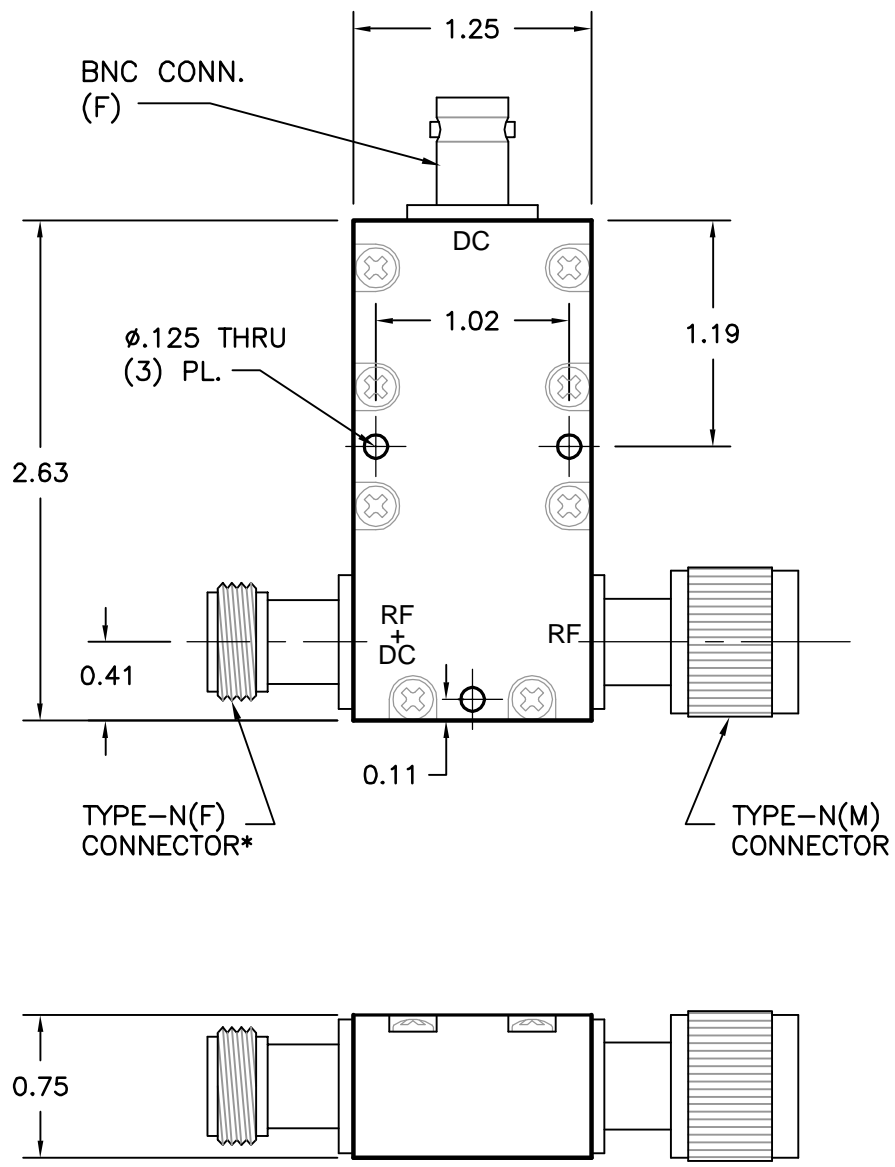

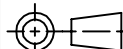


REV. A	DATE 07/18/01	INITIAL RELEASE
REV. B	DATE 08/26/05	DETAILS ADDED.



\*THIS DWG. SHOWS TYPE-N CONNECTORS, SMA CONNECTORS ARE SELECTED BY MODEL NUMBER. SEE TABLE ON WEB.

MATERIAL -	TREATMENT -	DRAWN R. LYNCH	DATE 7/18/01
FINISH ATM STD. GREY	MOD NO. DI17X / DI27X	CHECKED	DATE
<b>OUTLINE DC INJECTOR, (LRG. HSG.)</b>		APPROVED	DATE
		<small>ADVANCED TECHNICAL MATERIALS, INC. 49 RIDER AVE., PATCHOGUE N.Y. 11772 TEL: (631) 289-0386 FAX: (631) 289-0358 http://www.atmmicrowave.com</small>	
<small>UNLESS OTHERWISE NOTED DIMENSIONS ARE IN INCHES TOLERANCES ARE:</small>		<small>FRACTIONS ±1/64</small>	<small>DECIMALS ±.01</small>
<small>PROPRIETARY NOTICE: THE INFORMATION IN THIS DRAWING IS PROPRIETARY AND SHALL NOT BE USED OR DISCLOSED WITHOUT THE PRIOR WRITTEN CONSENT OF ATM, INC.</small>		<small>ANGLES ±1/2°</small>	<small>SHEET. 1/1</small>
		<small>SCALE 1 : 1</small>	<small>DWG. NO. 4448W</small>
			<small>REV. B</small>