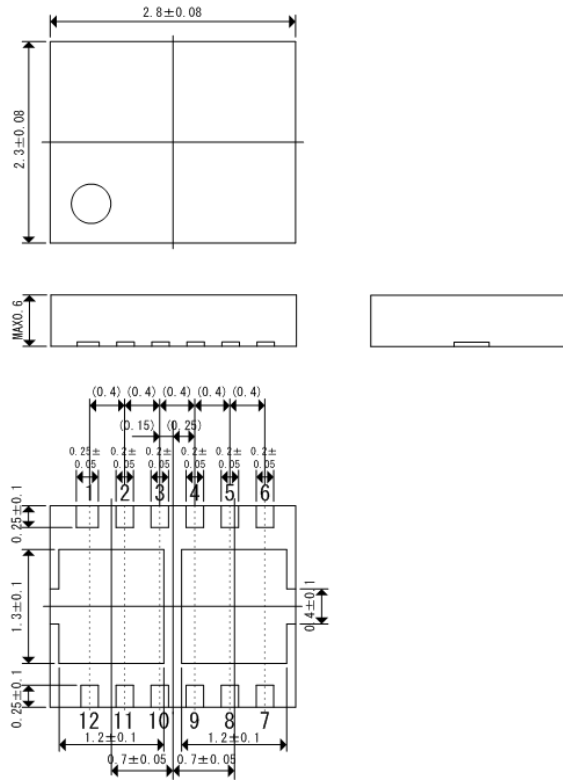


Packaging Information / Reference Pattern Layout Dimensions

● USP-12B01

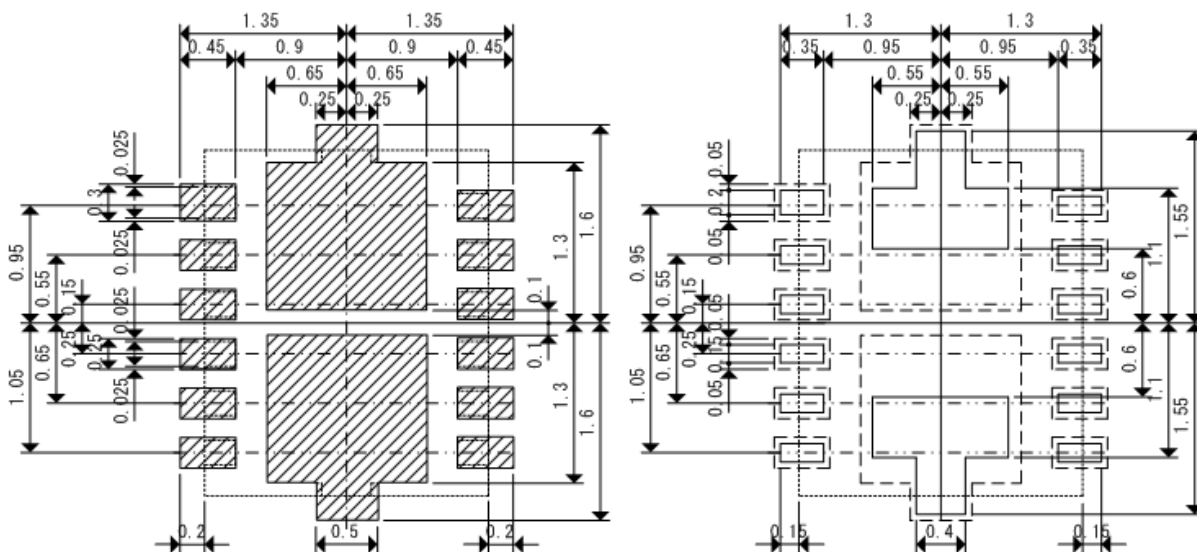
Unit: mm

■ Packaging Information



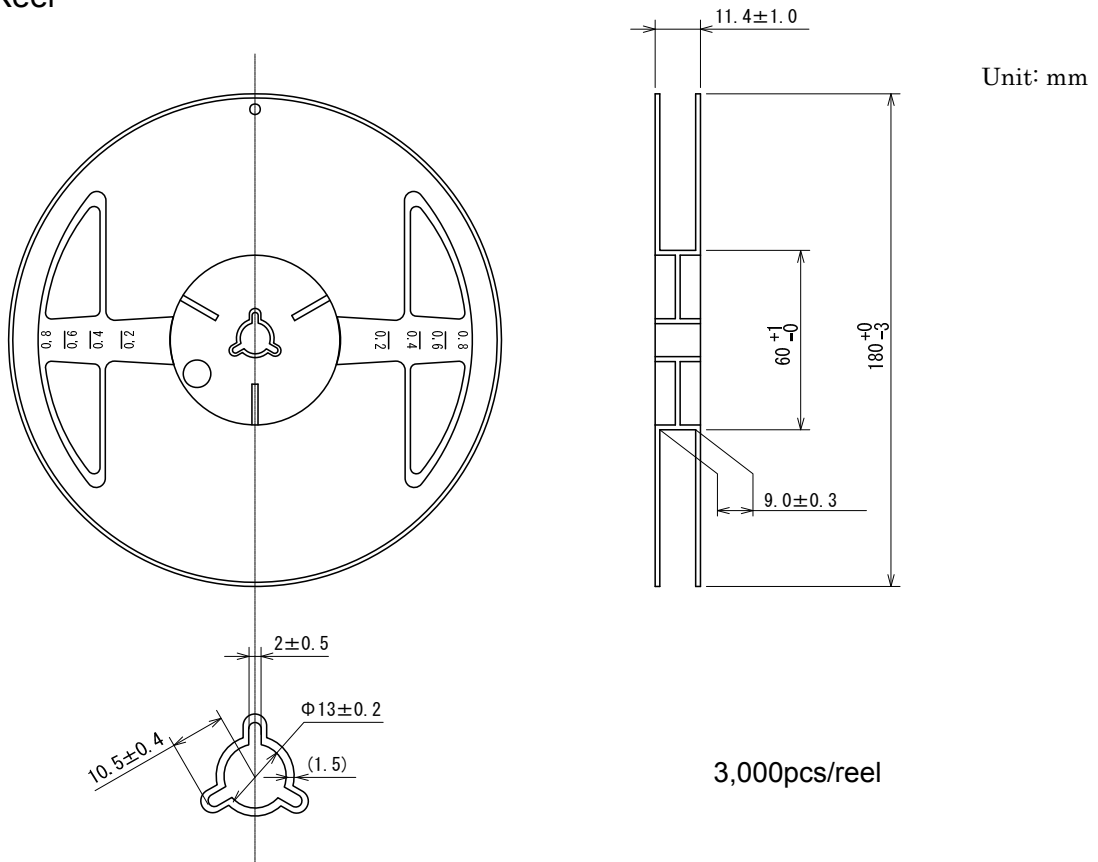
■ Reference Pattern Layout Dimension

Note : reference metal mask design

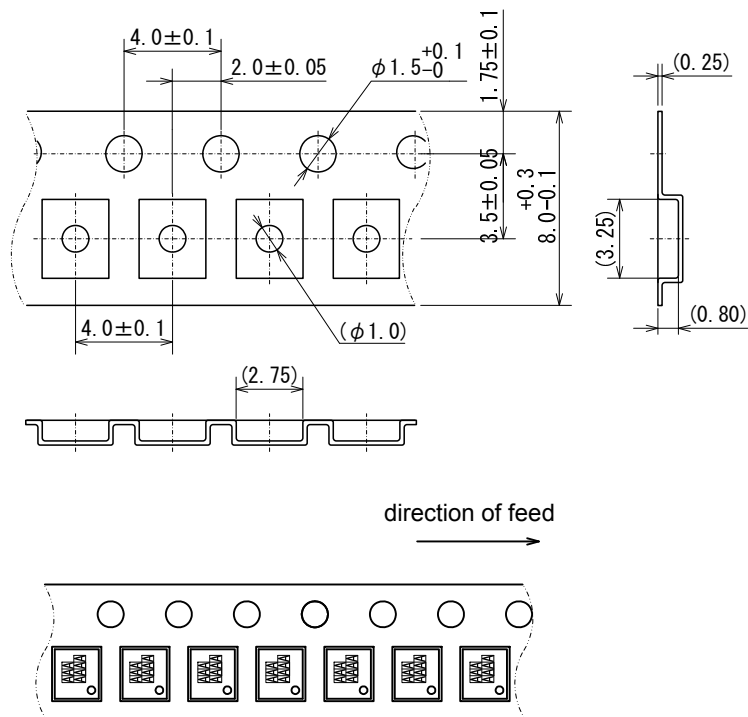


Taping Specifications

●USP-12B01 Reel



●Taping Specifications



R Type :[Device orientation : Right]

Standard feed

● **USP-12B01 Power Dissipation**

Power dissipation data for the USP-12B01 is shown in this page.

The value of power dissipation varies with the mount board conditions.

Please use this data as one of reference data taken in the described condition.

1. Test Condition (Reference data)

Condition: Mount on a board

Ambient: Natural convection

Soldering: Lead (Pb) free

Board Dimensions: 40 x 40 mm (1600 mm² in one side)

Board Structure: Inner two metal layers, no large metal area in the front and back.

Copper Area 1st Inner Metal Layer about 50%

2nd Inner Metal Layer about 50%

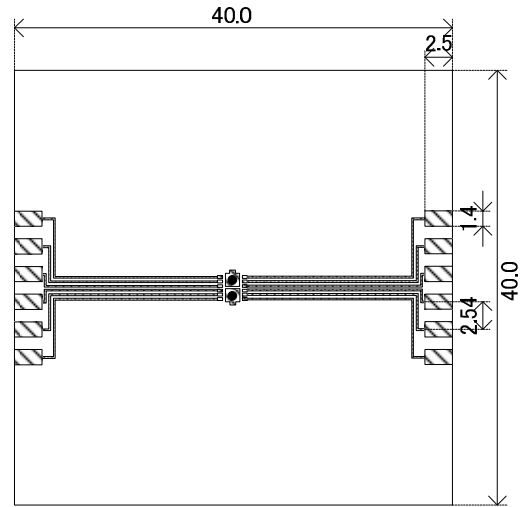
Each Heatsink back metal is connected to the inner layers respectively.

Material: Glass Epoxy (FR-4)

Thickness: 1.6 mm

Through-hole: 2 x 0.8 Diameter

(One through-hole connection per one heatsink back metal)



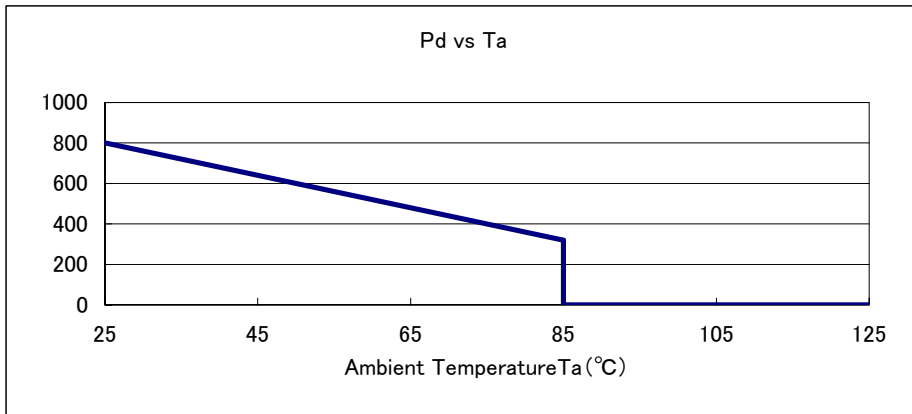
Evaluation Board (Unit: mm)

2. Power Dissipation vs. Ambient Temperature

1) 1ch Operation

Board Mount (T_j max = 125°C)

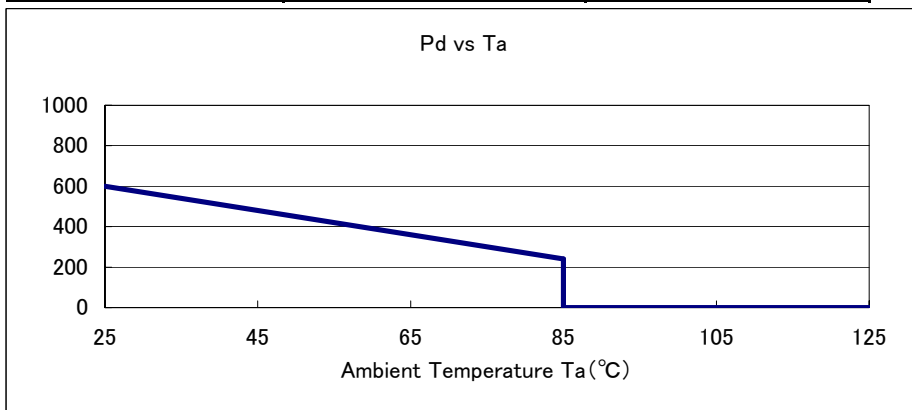
Ambient Temperature (°C)	Power Dissipation Pd (mW)	Thermal Resistance(°C/W)
25	800	125.00
85	320	



2) 2ch Operation

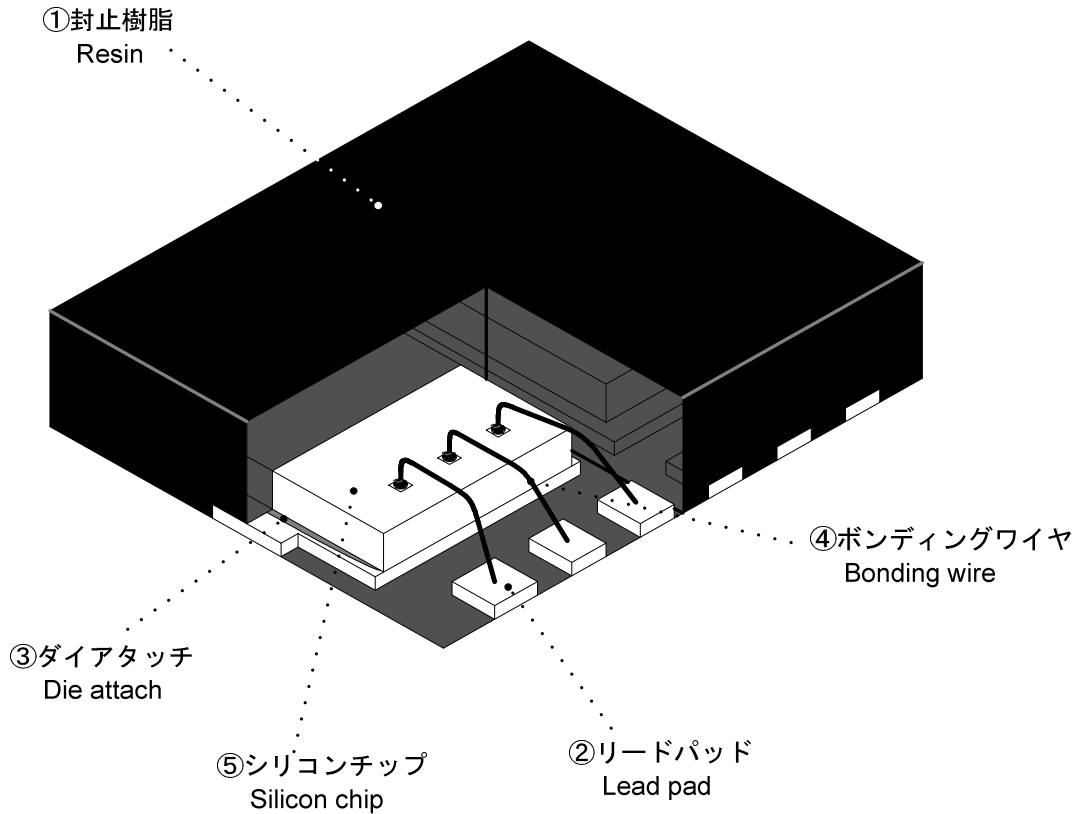
Board Mount (T_j max = 125°C)

Ambient Temperature (°C)	Power Dissipation Pd (mW)	Thermal Resistance(°C/W)
25	600	166.67
85	240	



USP-12B01 構造図
USP-12B01 Perspective

RoHS対応品
RoHS Compliance



項目 Item	材料 Material	備考 Note
① 封止樹脂 Resin	エポキシ樹脂 Epoxy resin	難燃グレード/Flammability rating UL94V-0
② リードパッド Lead pad	ニッケル Nickel	
端子処理 Outer pad plating	Auメッキ Gold plating	端子側面は除く Except the side of the terminals.
③ ダイアタッチ Die attach	エポキシ Epoxy	
④ ボンディングワイヤ Bonding wire	Au	
⑤ シリコンチップ Silicon chip	Si	

捺印表示 Marking	レーザー Laser marking
-----------------	-----------------------