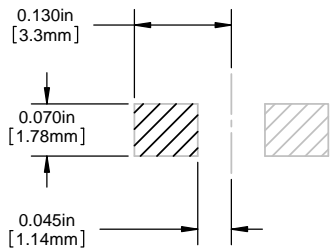


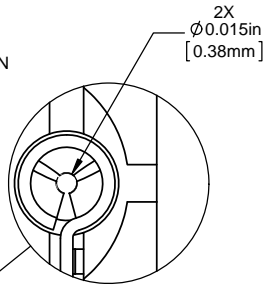
NOTES:

1. ROHS COMPLIANT
2. MATERIAL: HOUSING - NYLON 6/6, U.L. 94-V0 RATING, BLACK (UNLESS OTHERWISE SPECIFIED)
CONTACTS - PHOSPHOR BRONZE, TIN PLATED
3. MOUNTING: SOCKET MOUNTS ON .250" [6.35mm] CENTERS. INSERT COMPONENT LEADS THRU THE MOUNTING PAD END OF SOCKET
4. OPTO: STANDARD VISIBLE, IR LED, OR PHOTO DETECTOR WITH LEADS ON .100" [.25mm] CENTERS
5. LED LEAD DIMENSIONS: MINIMUM .017" [.43mm] ROUND OR SQUARE SHAPE. MAXIMUM .030" [.76mm] THICKNESS - .040" [1.02mm] WIDTH
6. U.S. & FOREIGN PATENTS ISSUED

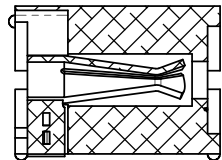
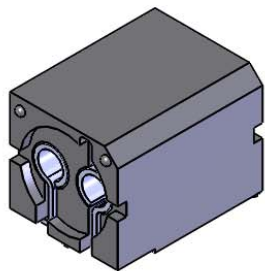
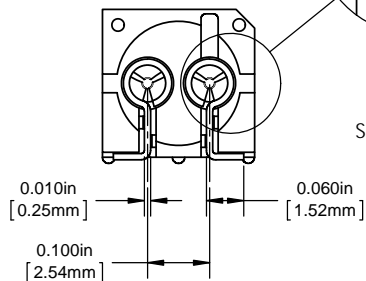
REVISIONS					
ECN #	REV.	DESCRIPTION	DATE	INITIALS	CHK'D
	001	REVISED PER ECR 111009AZ01	6/20/10	SMU	DZ
426	002	REVISED PER ECR 041212KH02	4/13/12	KH	ED



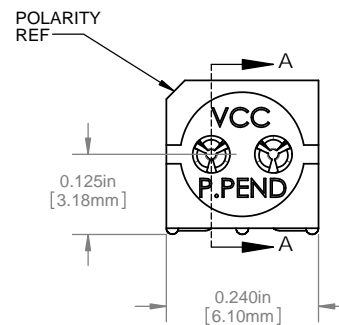
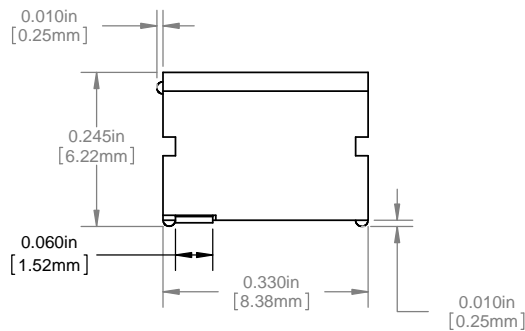
SMD PAD PATTERN



DETAIL B
SCALE 10 : 1



SECTION A-A



ORDERING CODE : SMD 330

<small>DIMENSION STYLE: INCHES (MM) GENERAL TOLERANCES UNLESS OTHERWISE SPECIFIED</small> <table border="1"> <tr> <th>INCHES</th> <th>MM</th> </tr> <tr> <td>X</td> <td>±.020 ±.508</td> </tr> <tr> <td>XX</td> <td>±.010 ±.254</td> </tr> <tr> <td>XXX</td> <td>±.005 ±.127</td> </tr> </table>	INCHES	MM	X	±.020 ±.508	XX	±.010 ±.254	XXX	±.005 ±.127	<small>APPROVAL</small> DRAWN SMU 6/20/10 CHECKED DZ 6/20/10	<small>DATE</small> 6/20/10	12780 DANIELSON CT, SUITE A, POWAY, CA 92064 U.S.A PHONE: (800) 522-5546 EMAIL: vccsales@vcc-lite.com
	INCHES	MM									
X	±.020 ±.508										
XX	±.010 ±.254										
XXX	±.005 ±.127										
<small>THIRD ANGLE PROJECTION</small> 	<small>MATERIAL</small> SEE NOTES	<small>FINISH</small> SEE NOTES	<small>TITLE</small> P-C-LITE® HORIZONTAL MOUNT								
<small>PROPRIETARY AND CONFIDENTIAL</small> THE INFORMATION CONTAINED IN THIS DRAWING IS THE SOLE PROPERTY OF VISUAL COMMUNICATIONS COMPANY, INC. ANY REPRODUCTION IN PART OR AS A WHOLE WITHOUT THE WRITTEN PERMISSION OF VISUAL COMMUNICATIONS COMPANY, INC IS PROHIBITED.	<small>DO NOT SCALE DRAWING</small>	<small>SCALE: 5:1</small>	<small>SIZE</small> DWG. NO. B SMD 330 <small>REV</small> 002 <small>SHEET 1 OF 1</small>								