

MINI MECHANICAL VARIABLE OPTICAL ATTENUATOR THROUGH TYPE (MVOA-T)

MVOA-T Series

Product Description

Oplink's Mini Manual Variable Optical Attenuator (MVOA-T) uses a neutral density filter to attenuate light. It features high resolution, a wide dynamic range, and convenient manual adjustment. It has low insertion loss, low wavelength dependent loss, and low polarization dependent loss. It is designed for pre-emphasis attenuation, detector saturation control, in-line power equalization and amplifier power control.

Oplink can provide customized designs to meet specialized feature applications. Also, Oplink offers modular assemblies that integrate other components to form a full function module or subsystem.



Performance Specification

Parameter		Single Window	Dual Window	Unit
Operating Wavelength Range		1310±20 or 1550±50	1310±20 and 1550±50	nm
Excess Insertion Loss	P3	≤ 0.6	≤ 1.0	dB
	P4	≤ 0.8	≤ 1.2	
Attenuation Range		> 30		dB
Wavelength Dependent Loss		≤ 0.20	≤ 0.30	dB
Temperature Dependent Loss		≤ 0.20		dB
Polarization Dependent Loss		≤ 0.15		dB
Resolution		≤ 0.10		dB
Return Loss		≥ 45		dB
Operating Power		≤ 150		mW
Operating Temperature Range		0 to +70		°C
Storage Temperature Range		-40 to +85		°C
Fiber Type		Corning SMF-28		
Package Dimensions	P3	60.0 (L) × 16.0 (W) × 8.0 (H)		mm
	P4	20.0 (L) × 16.0 (W) × 8.0 (H)		

Notes:

¹⁾ All spec excluding connectors

²⁾ The maximum IL is under all states of polarization and within the full operating temperature and wavelength ranges specified.

Features

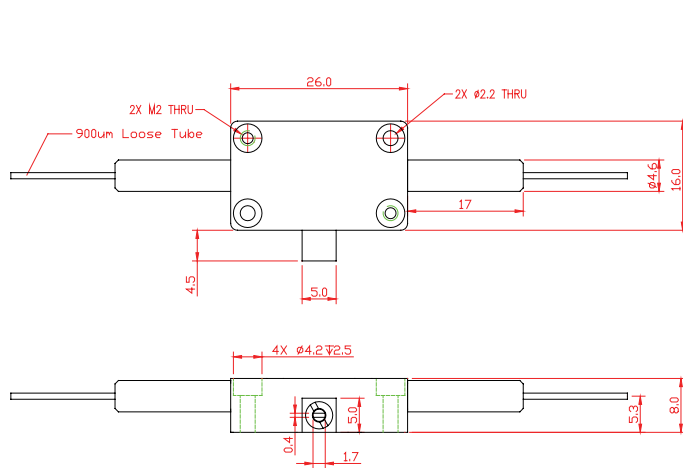
- ◆ Low Insertion Loss
- ◆ Wide Attenuation Range
- ◆ Low Back Reflection
- ◆ Dual Windows
- ◆ Low Wavelength and Polarization Dependent Loss (WDL / PDL)

Applications

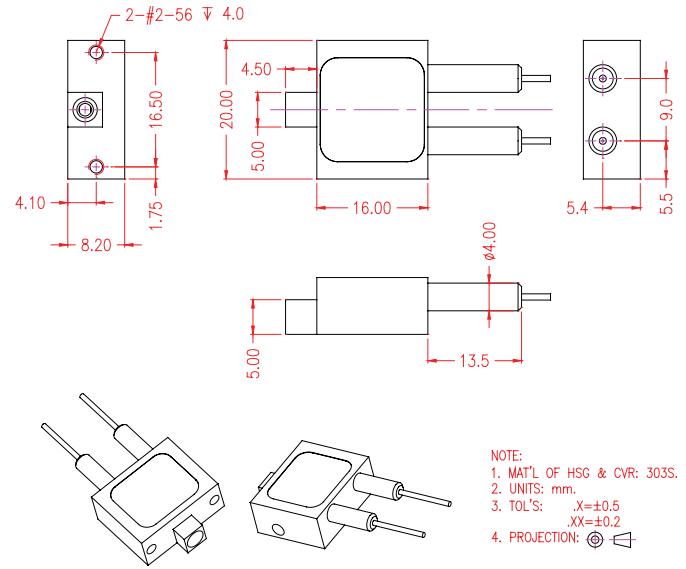
- ◆ In-line Power Control in Multi-channel Optically Amplified System
- ◆ Transmitter Power Equalization
- ◆ Laboratory R&D

Mechanical Drawing / Package Dimensions (dimension in mm)

P3 Package:

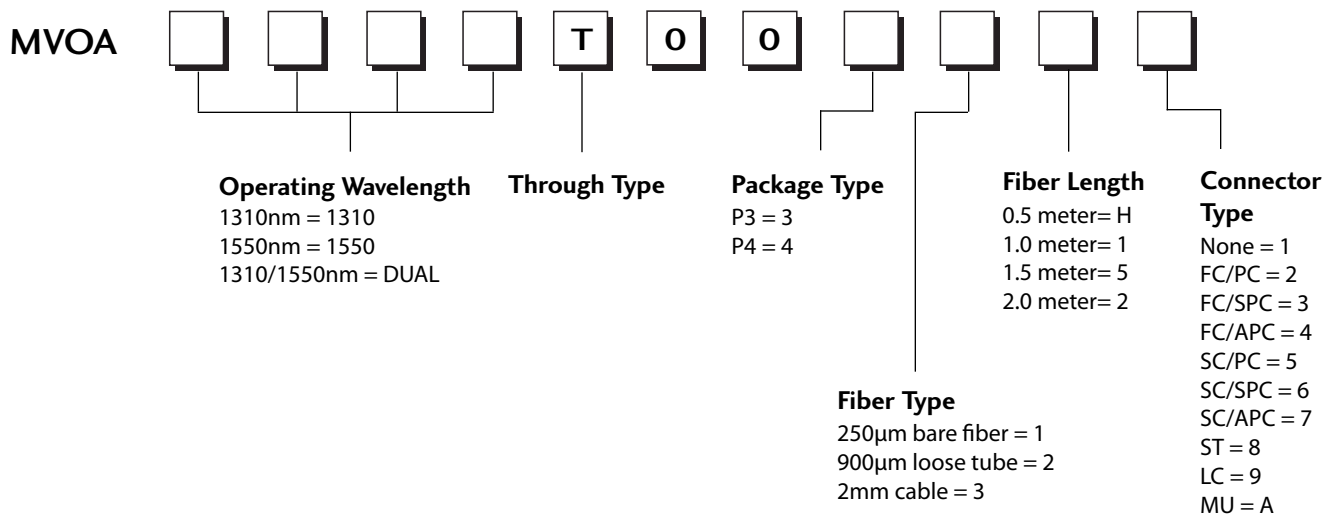


P4 Package:



Ordering Information

Oplink can provide a remarkable range of customized optical solutions. For detail, please contact Oplink's OEM design team or account manager for your requirements and ordering information (510) 933-7200.



*The tolerance of fiber length is +/-0.1m.