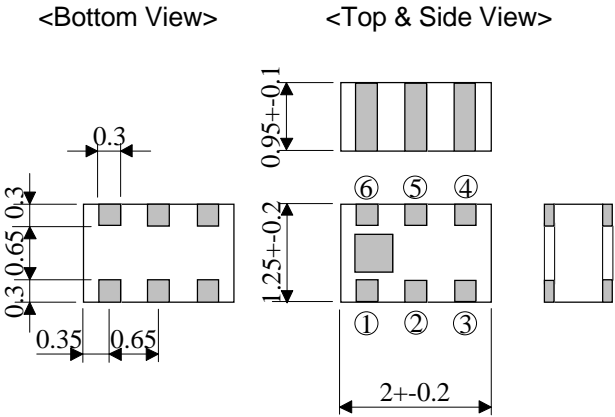


# EHF FD1774G, H, J, K Directional Coupler

[Dimensions] unit : mm

[Pin Assignment]

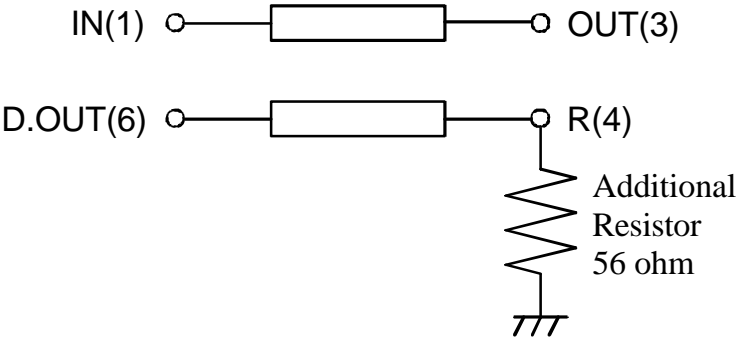


No.	
1	IN
2	GND
3	OUT
4	R
5	GND
6	D. OUT

[Characteristics] Ta=25°C

No.	Item	Specification			
		FD1774G	FD1774H	FD1774J	FD1774K
1	Frequency (MHz)	1750- 1950	1750- 1950	1750- 1950	1750- 1950
2	Insertion Loss (OUT) dB	3.5 max	2 max	0.95 max	0.4 max
3	Coupling (D. OUT) dB	4.5 max	6+-1	10+-1	14+-1
4	Isolation (dB)	17 min	14 min	17 min	25 min
5	V.S.W.R.	1.3 max	1.3 max	1.3 max	1.3 max

[Equivalent Circuit]



[Recommended Land Size]

