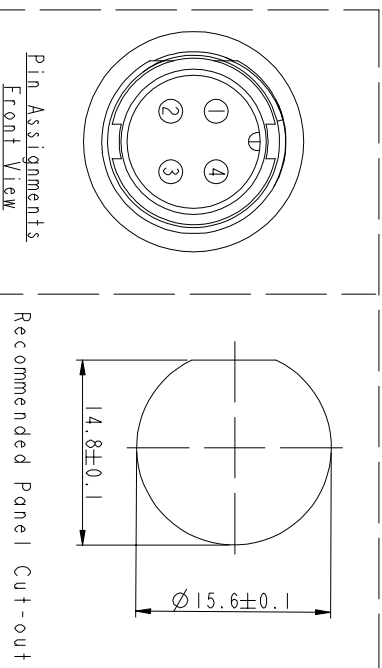
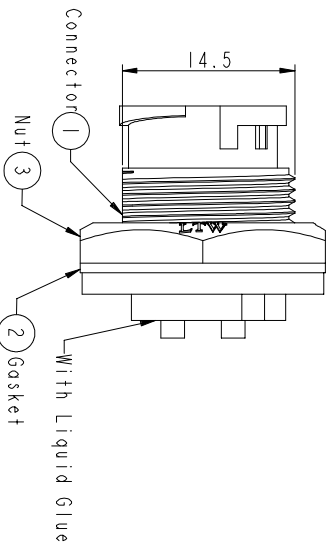


- Note:
- * Important Dimension To Check.
 - * Waterproof Rate: IP67
 - * Housing: Black, Nylon+GF
 - * Pin: Copper Alloy, Gold Plated
 - * Nut: Black, Nylon+GF
 - * Gasket: Black, EPDM
 - * Use With Waterproof Cap Or Dust Cap
 - Panel Thickness Max: 3.0mm
 - * Use Without Waterproof Cap Or Dust Cap
 - Panel Thickness Max: 4.5mm



RoHS compliant

Scale	Free					
TOLERANCE						
.X	±0.25					
.XX	±0.10					
.XXX	±0.05					
Angle	±1°					
		ⓐ	Drawn		11.03.2014	Winnie
			Modification			
			Id.			

Date	Name	Date	Name
11.03.2014	Winnie	11.03.2014	Winnie

Customer-No.	ASSMANN WSW-No.	Drawing-No.	Replace
	A-CR-04PIMS-LC-WP	ASS 6239 CO	
		rev00	Sheet



1

2

3

4

5

6

7

1

2

3

4

5

6

7

A

B

C

D

E

F

G

H