

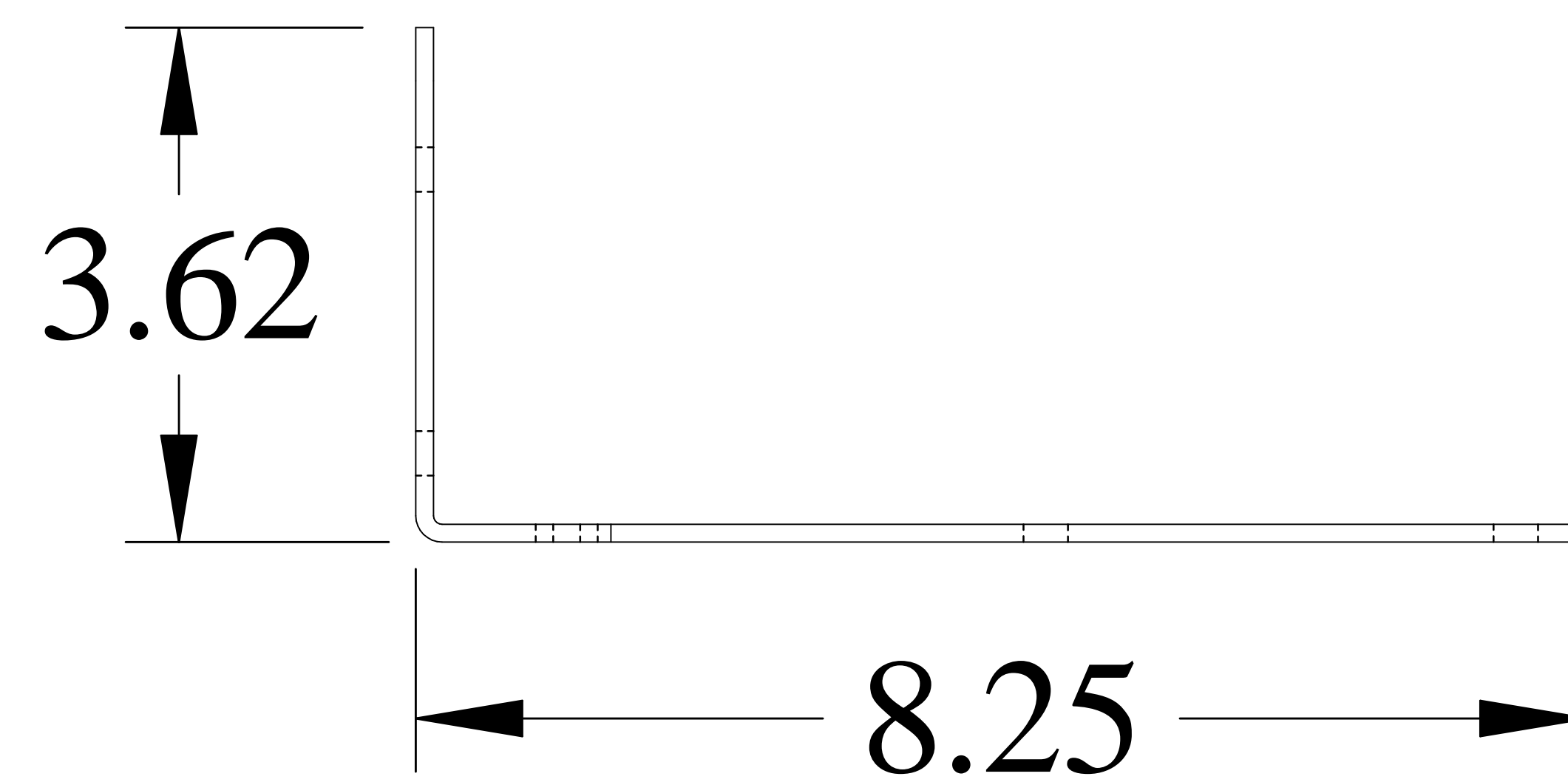
PART No. 1487DL2SS

for more information visit

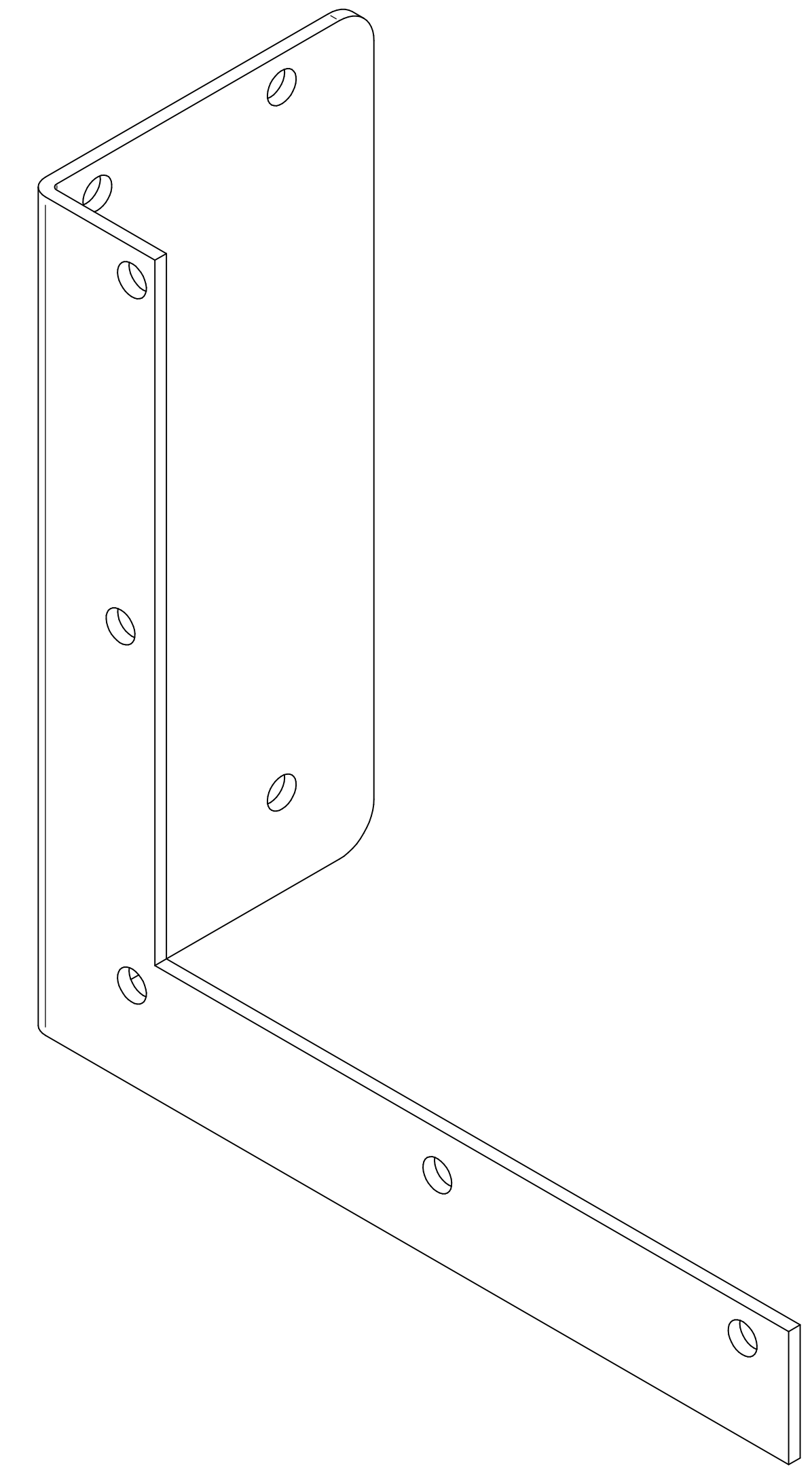
www.hammondmfg.com

Data subject to change without notice

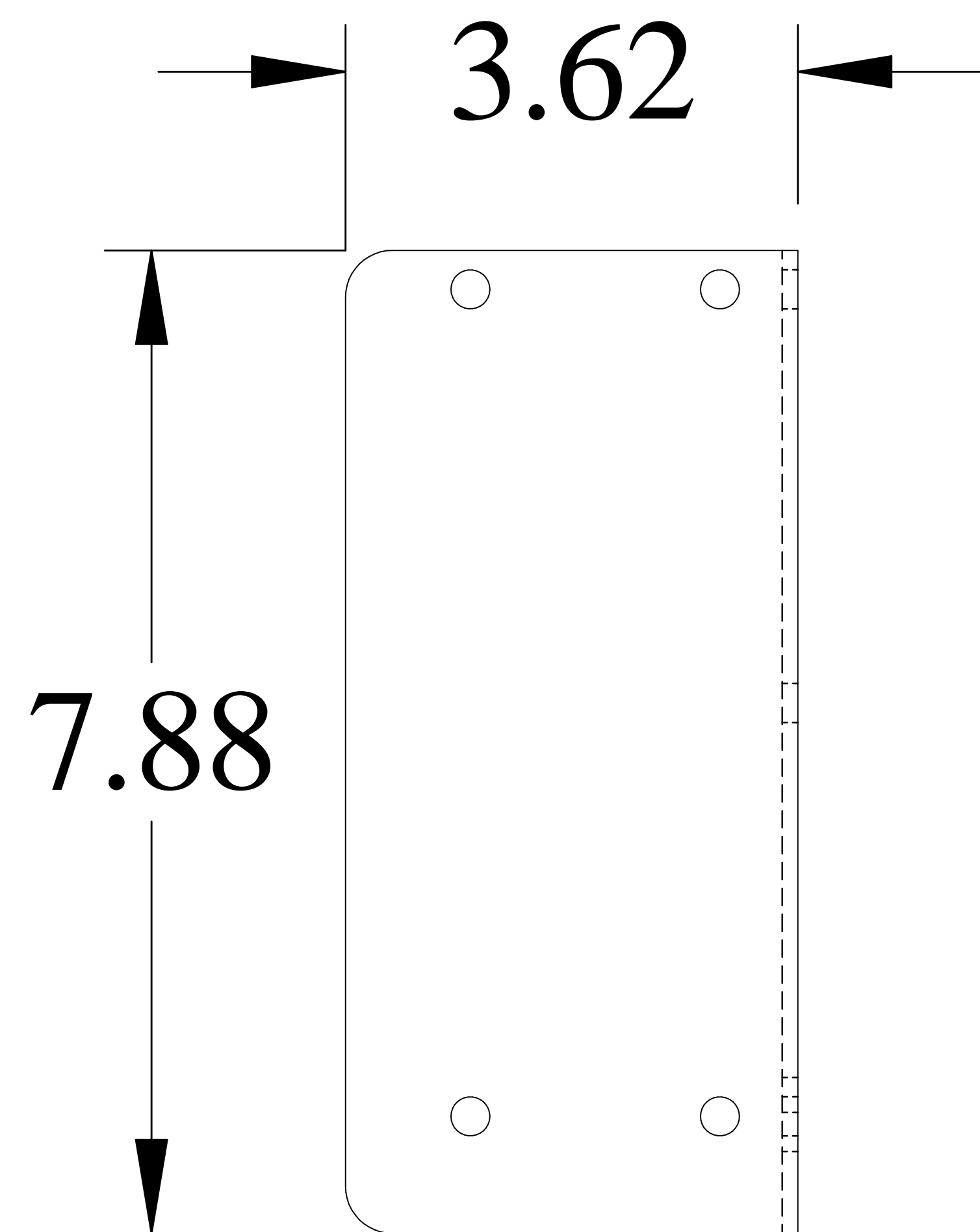
Isometric drawing Not to Scale



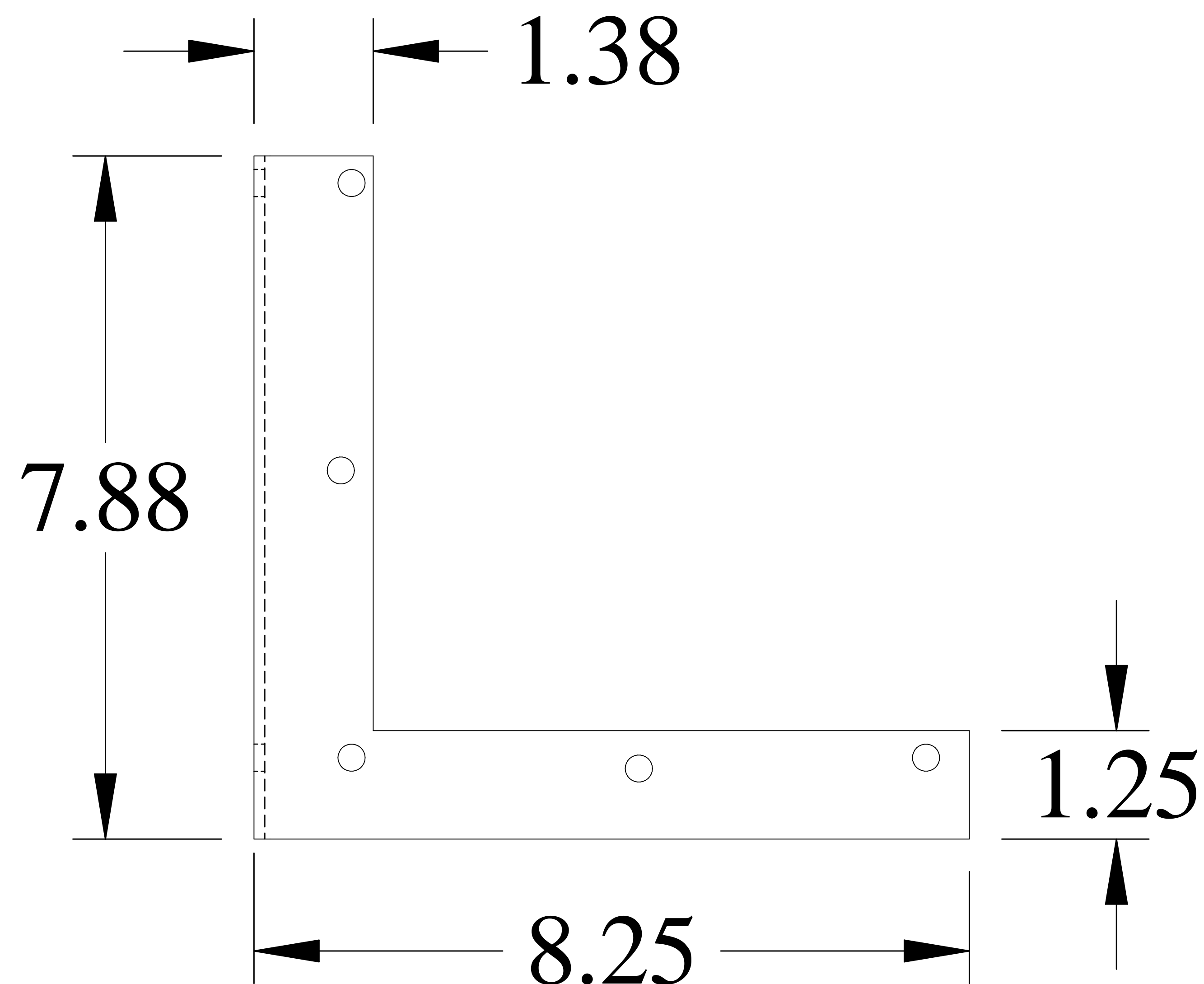
TOP VIEW



ISOMETRIC VIEW



SIDE VIEW



FRONT VIEW