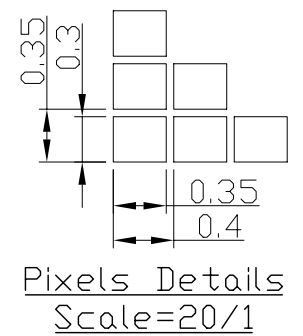
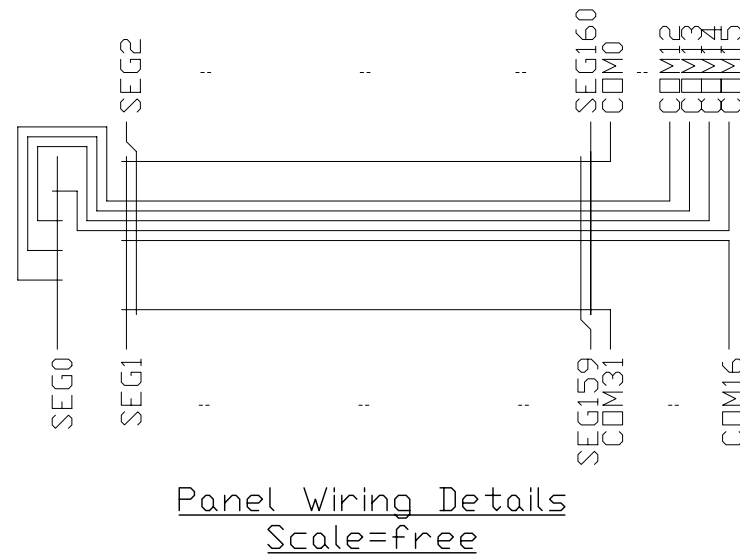
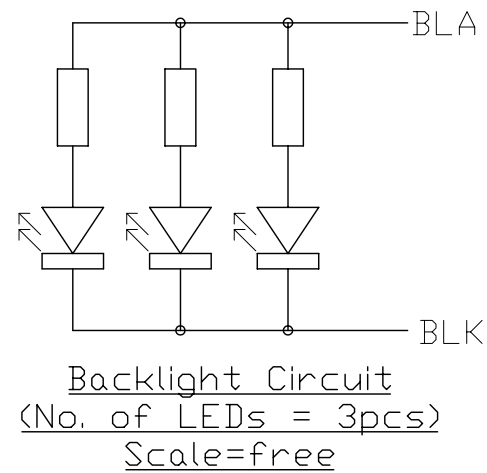


Terminal No.	Pin Name
1	VSS
2	VDD
3	V0
4	VOUT
5	/RES
6	DB7
7	DB6
8	DB5
9	DB4
10	DB3
11	DB2
12	DB1
13	DB0
14	R/W
15	A0
16	E1
17	E2
18	E3
19	BLA
20	BLK



Note:

- *1. LCD Display Type : STN-YG, Positive, Transflective
- *2. Viewing Direction : 6H
- *3. Duty : 1/32 ,Bais : 1/5
- *4. Operating Voltatge : 5.0V
- *5. Backlight Color : Green
- *6. Operating Temperature : 0°C ~ 50°C
- *7. Storage Temperature : -10°C ~ 60°C
- *8. An external VR(25k to 50k) must be connected for Contrast Control

C		
B		
A	-Revise Backlight Color	Li Shuai 2005-09-10
Rev	Note	Date
Dwg	Title	
	LM3123-1 Outline Dwg	
Dwg No.	MK-001019a-1-1	Date 2005-08-03
Scale	Tol.	Unit
2/1	±0.5	mm
Approved	Checked	Paper Size A3
		Drawn Li Shuai

TOPWAY