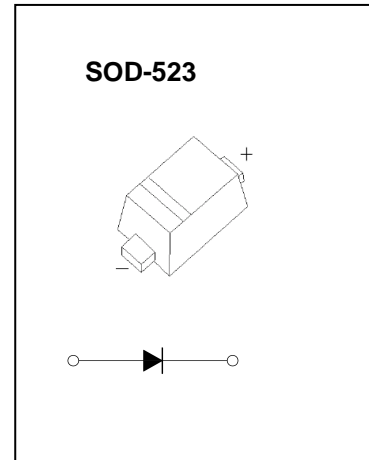


## SOD-523 Plastic-Encapsulate Diodes

### RB751S-40 Schottky barrier Diode

#### FEATURES

- Small surface mounting type
- Low reverse current and low forward voltage
- High reliability



MARKING: 5

#### Maximum Ratings and Electrical Characteristics, Single Diode @Ta=25°C

Parameter	Symbol	Limit	Unit
Peak reverse voltage	$V_{RM}$	40	V
DC reverse voltage	$V_R$	30	V
Mean rectifying current	$I_O$	30	mA
Peak forward surge current	$I_{FSM}$	200	mA
Power dissipation	$D_8$	150	mW
Thermal Resistance Junction to Ambient	$\theta_{JA}$	667	°C/W
Junction temperature	$T_j$	125	°C
Storage temperature	$T_{stg}$	-55~+150	°C

#### Electrical Ratings @Ta=25°C

Parameter	Symbol	Min	Typ	Max	Unit	Conditions
Forward voltage	$V_F$			0.37	V	$I_F=1mA$
Reverse current	$I_R$			0.5	$\mu A$	$V_R=30V$
Capacitance between terminals	$C_T$		2		pF	$V_R=1V, f=1MHz$



# RB751S-40

