

TOSHIBA Field-Effect Transistor Silicon N-Channel MOS Type

SSM3K128TU

- High-Speed Switching Applications
- Power Management Switch Applications

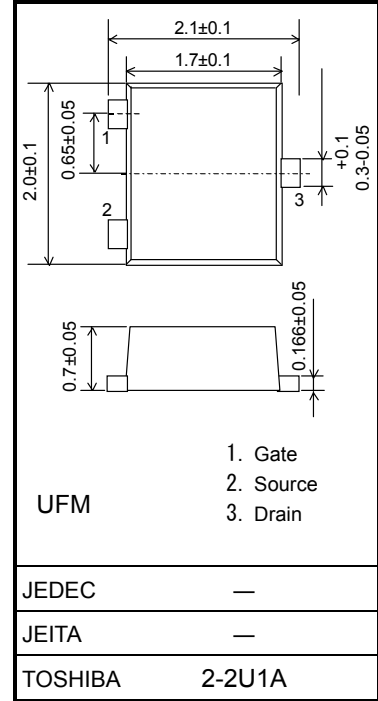
- 4.0V drive
- Low ON-resistance : $R_{on} = 360m\Omega$ (max) (@ $V_{GS} = 4.0V$)
: $R_{on} = 217m\Omega$ (max) (@ $V_{GS} = 10V$)

UNIT: mm

Absolute Maximum Ratings (Ta = 25°C)

Characteristic	Symbol	Rating	Unit
Drain-source voltage	V_{DSS}	30	V
Gate-source voltage	V_{GSS}	± 20	V
Drain current	DC	I_D	A
	Pulse	I_{DP}	
Drain power dissipation	P_D (Note1)	500	mW
Channel temperature	T_{ch}	150	°C
Storage temperature	T_{stg}	-55~150	°C

Note 1: Mounted on an FR4 board
(25.4 mm × 25.4 mm × 1.6 t, Cu Pad: 645 mm²)



Weight: 6.6mg (typ.)

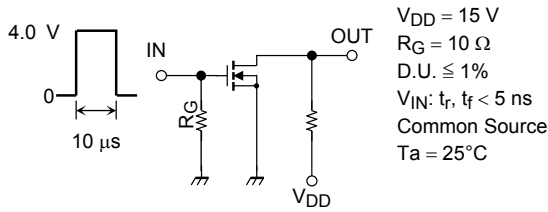
Electrical Characteristics (Ta = 25°C)

Characteristic	Symbol	Test Condition	Min	Typ.	Max	Unit
Drain-source breakdown voltage	$V_{(BR)DSS}$	$I_D = 1\text{ mA}, V_{GS} = 0\text{ V}$	30	—	—	V
Drain cutoff current	I_{DSS}	$V_{DS} = 30\text{ V}, V_{GS} = 0\text{ V}$	—	—	1	μA
Gate leakage current	I_{GSS}	$V_{GS} = \pm 16\text{ V}, V_{DS} = 0\text{ V}$	—	—	± 1	μA
Gate threshold voltage	V_{th}	$V_{DS} = 5\text{ V}, I_D = 1\text{ mA}$	1.1	—	2.6	V
Forward transfer admittance	$ Y_{fs} $	$V_{DS} = 5\text{ V}, I_D = 0.6\text{ A}$ (Note2)	0.73	1.45	—	S
Drain-source ON-resistance	$R_{DS(ON)}$	$I_D = 0.6\text{ A}, V_{GS} = 10\text{ V}$ (Note2)	—	160	217	$m\Omega$
		$I_D = 0.6\text{ A}, V_{GS} = 4.0\text{ V}$ (Note2)	—	260	360	
Input capacitance	C_{iss}	$V_{DS} = 15\text{ V}, V_{GS} = 0\text{ V}, f = 1\text{ MHz}$	—	57	—	pF
Output capacitance	C_{oss}		—	33	—	
Reverse transfer capacitance	C_{rss}		—	12	—	
Total Gate Charge	Q_g	$V_{DS} = 15\text{ V}, I_D = 1.5\text{ A}$ $V_{GS} = 10\text{ V}$	—	2.8	—	nC
Gate-Source Charge	Q_{gs}		—	1.6	—	
Gate-Drain Charge	Q_{gd}		—	1.2	—	
Switching time	Turn-on time	t_{on}	$V_{DD} = 15\text{ V}, I_D = 0.6\text{ A},$ $V_{GS} = 0\sim 4.0\text{ V}, R_G = 10\ \Omega$	—	12.0	ns
	Turn-off time	t_{off}		—	6.9	
Drain-source forward voltage	V_{DSF}	$I_D = -1.5\text{ A}, V_{GS} = 0\text{ V}$ (Note2)	—	-0.85	-1.2	V

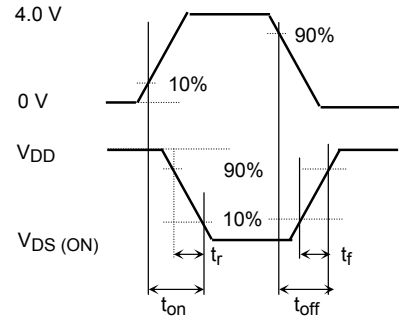
Note 2: Pulse test

Switching Time Test Circuit

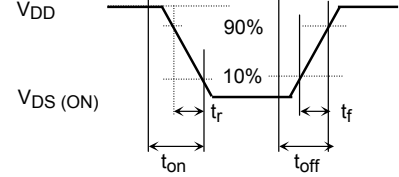
(a) Test Circuit



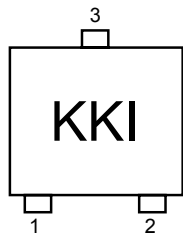
(b) VIN



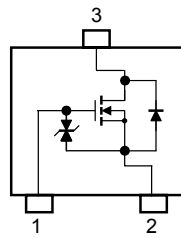
(c) VOUT



Marking



Equivalent Circuit (top view)



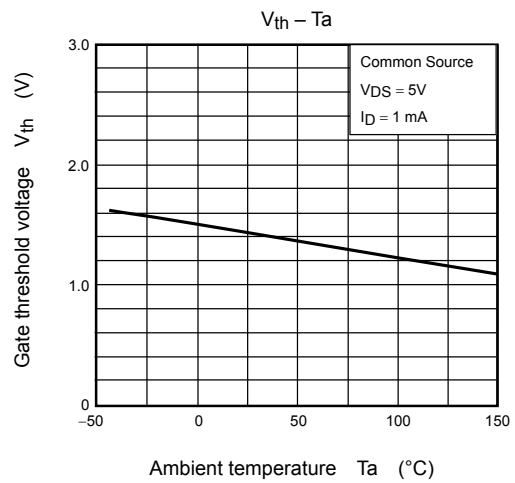
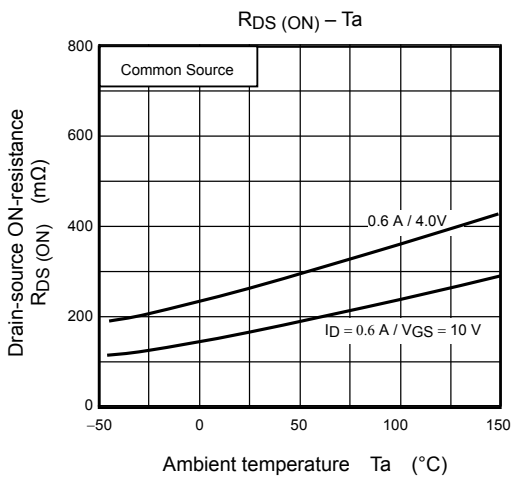
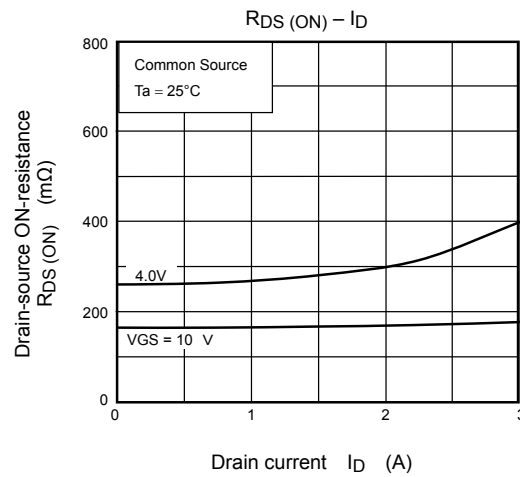
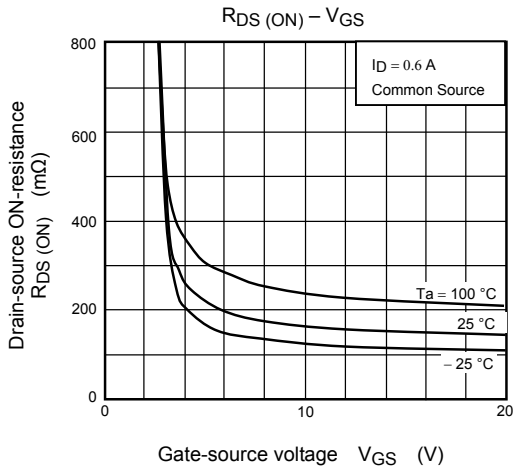
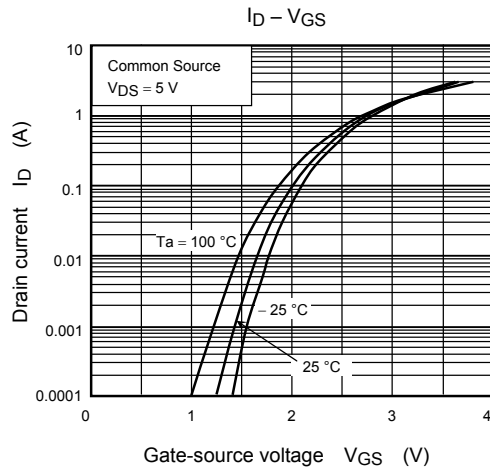
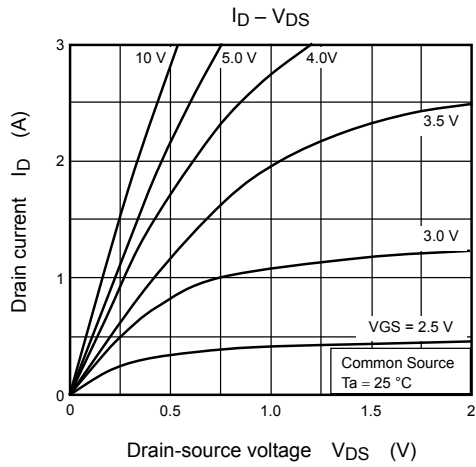
Notice on Usage

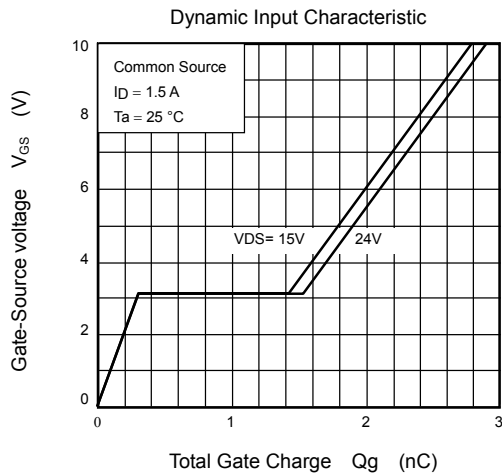
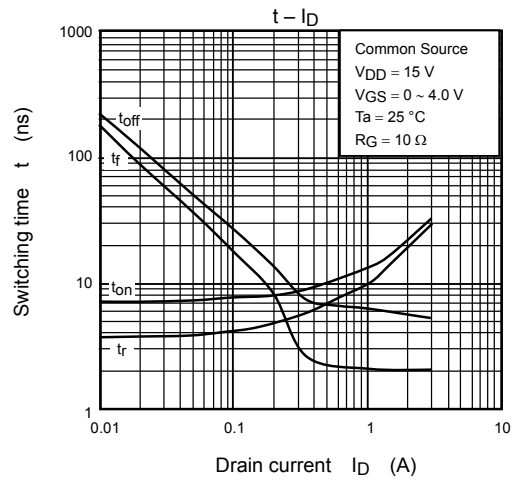
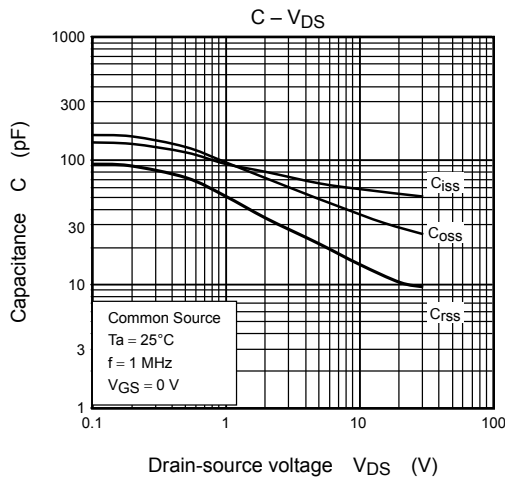
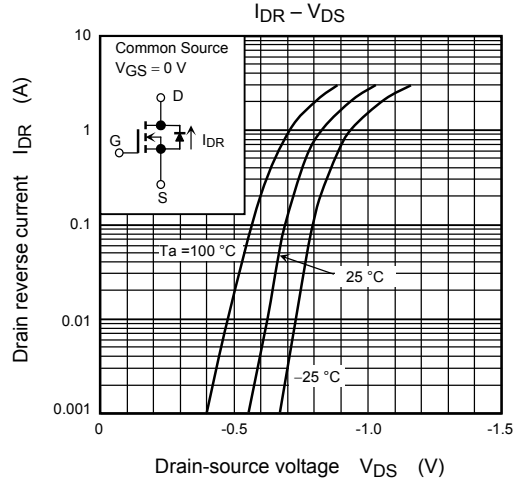
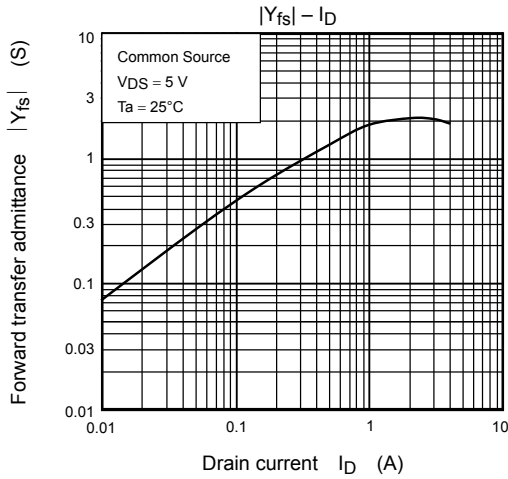
V_{th} can be expressed as the voltage between gate and source when the low operating current value is $I_D = 1 \text{ mA}$ for this product. For normal switching operation, $V_{GS(ON)}$ requires a higher voltage than V_{th} and $V_{GS(OFF)}$ requires a lower voltage than V_{th} . (The relationship can be established as follows: $V_{GS(OFF)} < V_{th} < V_{GS(ON)}$.)

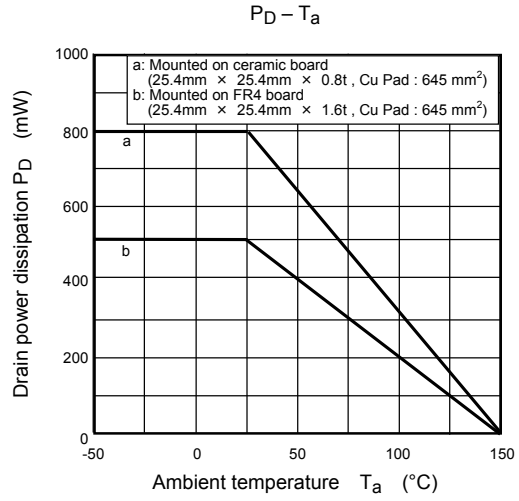
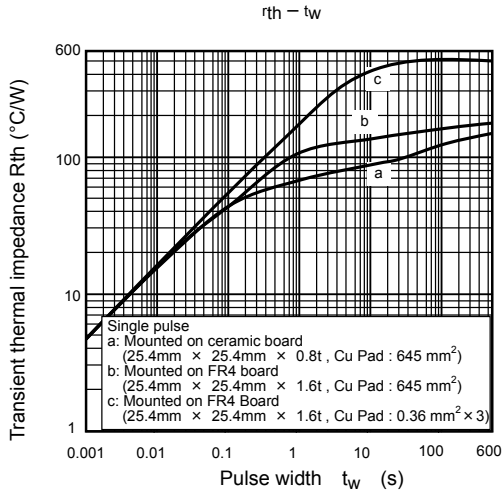
Take this into consideration when using the device.

Handling Precaution

When handling individual devices that are not yet mounted on a circuit board, make sure that the environment is protected against electrostatic discharge. Operators should wear antistatic clothing, and containers and other objects that come into direct contact with devices should be made of antistatic materials.







RESTRICTIONS ON PRODUCT USE

20070701-EN

- The information contained herein is subject to change without notice.
- TOSHIBA is continually working to improve the quality and reliability of its products. Nevertheless, semiconductor devices in general can malfunction or fail due to their inherent electrical sensitivity and vulnerability to physical stress. It is the responsibility of the buyer, when utilizing TOSHIBA products, to comply with the standards of safety in making a safe design for the entire system, and to avoid situations in which a malfunction or failure of such TOSHIBA products could cause loss of human life, bodily injury or damage to property.
In developing your designs, please ensure that TOSHIBA products are used within specified operating ranges as set forth in the most recent TOSHIBA products specifications. Also, please keep in mind the precautions and conditions set forth in the "Handling Guide for Semiconductor Devices," or "TOSHIBA Semiconductor Reliability Handbook" etc.
- The TOSHIBA products listed in this document are intended for usage in general electronics applications (computer, personal equipment, office equipment, measuring equipment, industrial robotics, domestic appliances, etc.). These TOSHIBA products are neither intended nor warranted for usage in equipment that requires extraordinarily high quality and/or reliability or a malfunction or failure of which may cause loss of human life or bodily injury ("Unintended Usage"). Unintended Usage include atomic energy control instruments, airplane or spaceship instruments, transportation instruments, traffic signal instruments, combustion control instruments, medical instruments, all types of safety devices, etc.. Unintended Usage of TOSHIBA products listed in his document shall be made at the customer's own risk.
- The products described in this document shall not be used or embedded to any downstream products of which manufacture, use and/or sale are prohibited under any applicable laws and regulations.
- Please contact your sales representative for product-by-product details in this document regarding RoHS compatibility. Please use these products in this document in compliance with all applicable laws and regulations that regulate the inclusion or use of controlled substances. Toshiba assumes no liability for damage or losses occurring as a result of noncompliance with applicable laws and regulations.