



SF2025B

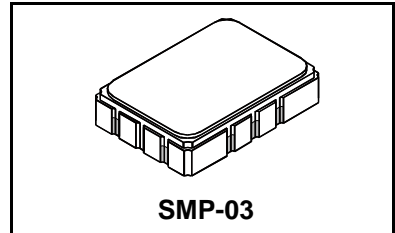
**259.861 MHz
SAW Filter**

- **Designed for SDARS Receiver IF Application**
- **Low Insertion Loss**
- **5.0 X 7.0 mm Surface-Mount Case**
- **Differential Input and Output**
- **Complies with Directive 2002/95/EC (RoHS)**



Absolute Maximum Ratings

Rating	Value	Units
Maximum Incident Power in Passband	+10	dBm
Max. DC voltage between any 2 terminals	30	VDC
Storage Temperature Range	-40 to +105	°C
Suitable for lead-free soldering - Max Soldering Temperature	260°C for 30 s	



Electrical Characteristics

Characteristic	Sym	Notes	Min	Typ	Max	Units		
Nominal Center Frequency	f _C	1	259.861			MHz		
Passband Minimum Insertion Loss	IL	1, 2		13.3	15.5	dB		
	1.5 dB Passband		BW _{1.5}		13.8			
	3 dB Passband		BW ₃		14.5			
Amplitude Ripple from fc-6.354 MHz to fc-4.2885 MHz (-20 to 85°C)		1, 2			1	dB _{P-P}		
Amplitude Ripple from fc-6.354 MHz to fc-4.2885 MHz (-40 to -20°C)					1.5			
Amplitude Ripple from fc-4.4965 MHz to fc-2.431 MHz					1			
Amplitude Ripple from fc-2.639 MHz to fc+0.079 MHz					1			
Amplitude Ripple from fc-0.079 MHz to fc+2.639 MHz					1			
Amplitude Ripple from fc+2.431 MHz to fc+4.4965 MHz					1			
Amplitude Ripple from fc+4.2885 MHz to fc+6.354 MHz (-40 to 60°C)					1			
Amplitude Ripple from fc+4.2885 MHz to fc+6.354 MHz (60 to 85°C)					1.15			
Group Delay Variation over fc-6.354 MHz to fc-2.431 MHz and from fc+2.431 MHz to fc+6.354 MHz	GDV1				40		60	ns _{P-P}
	GDV2				40		120	
Rejection fc-28 to fc-12 MHz and fc+12 to fc+33 MHz		1, 2, 3	36	43		dB		
			30	40				
			18	36				
Operating Temperature Range	T _A	1	-40		+85	°C		
Frequency Temperature Coefficient				-18		ppm/°C		
Differential Input and Output Impedance	L & C Match to 150 ohms							
Case Style		6	SMP-03 7 x 5 mm Nominal Footprint					
Lid Symbolization (YY=year, WW=week, S=shift) See note 4			RFM SF2025B YYWWS					

Electrical Connections

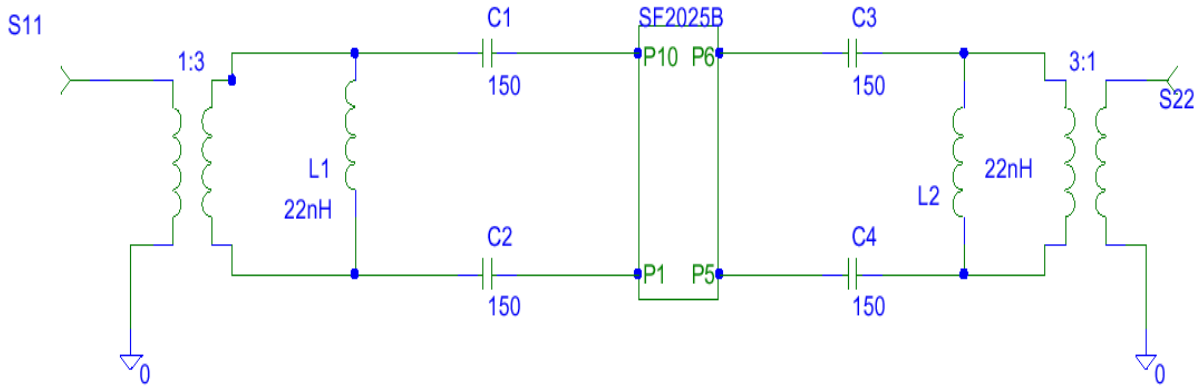
Connection	Terminals
Port 1 Hot	10
Port 1 Ground Return	1
Port 2 Hot	5
Port 2 Ground Return	6
Case Ground	All Others

Notes:

1. Unless noted otherwise, all specifications apply over the operating temperature range with filter soldered to the specified demonstration board with impedance matching to 50 Ω and measured with 50 Ω network analyzer.
2. Unless noted otherwise, all frequency specifications are referenced to the nominal center frequency, f_C.
3. Rejection is measured as attenuation below the minimum IL point in the passband. Rejection in final user application is dependent on PCB layout and external impedance matching design. See Application Note No. 42 for details.
4. "LRIP" or "L" after the part number indicates "low rate initial production" and "ENG" or "E" indicates "engineering prototypes."
5. The design, manufacturing process, and specifications of this filter are subject to change.
6. Tape and Reel Standard Per ANSI / EIA 481.
7. Either Port 1 or Port 2 may be used for either input or output in the design. However, impedances and impedance matching may vary between Port 1 and Port 2, so that the filter must always be installed in one direction per the circuit design.
8. US and international patents may apply.
9. RFM, stylized RFM logo, and RF Monolithics, Inc. are registered trademarks of RF Monolithics, Inc.
10. ©Copyright 1999, RF Monolithics Inc.



Matching Circuits



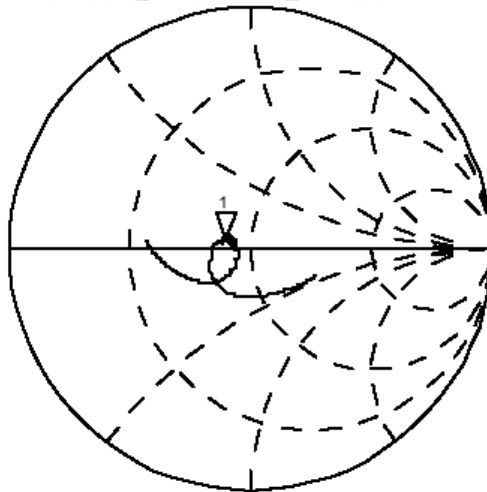
CH1 S11 1 UFS 1: 40.799 3.3672 2.0623 nH 259.861000 MHz

hp

Cor

PRm

HLd



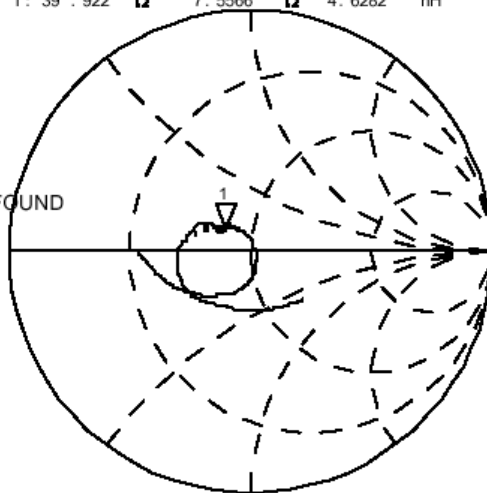
CH2 S22 1 UFS 1: 39.922 7.5566 4.6282 nH 259.861000 MHz

Cor

CH2 TARGET VALUE NOT FOUND

PRm

HLd



CH2 Markers

BW: 0.000000 MHz

cent: 0.000000 MHz

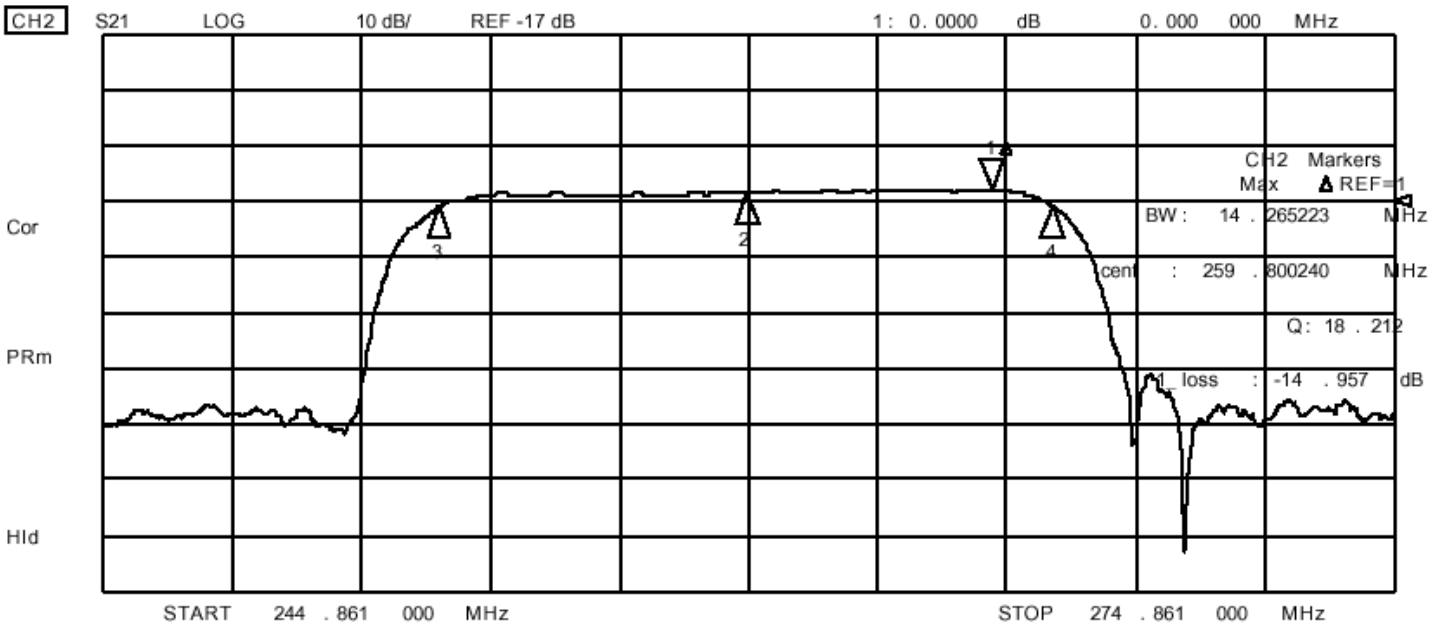
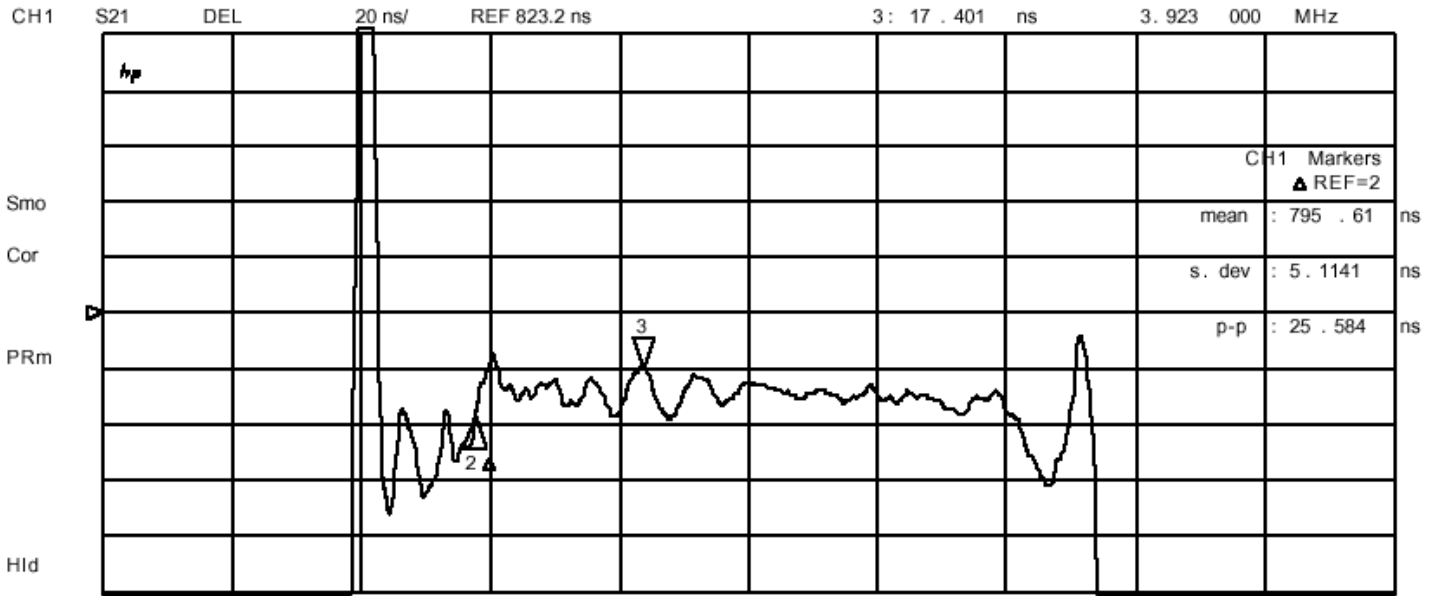
Q: 0.0000

1_loss: 39.922

START 244.861000 MHz

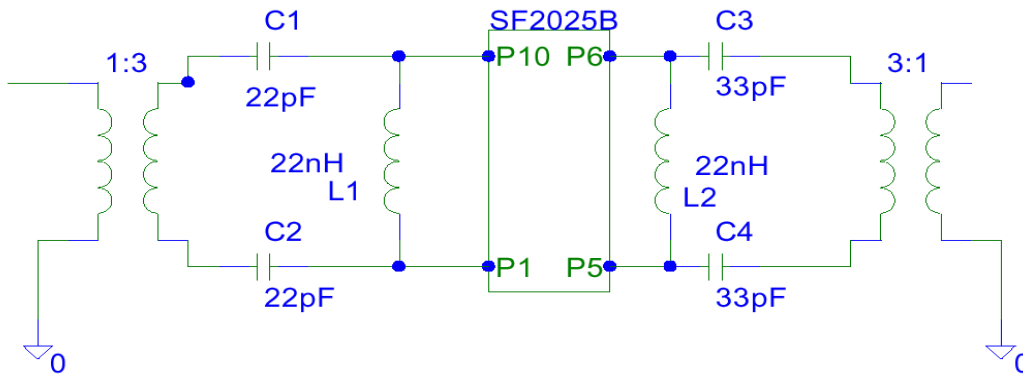
STOP 274.861000 MHz

SF2025B
50 Ohm System



Matching Circuits

better rejection tuning



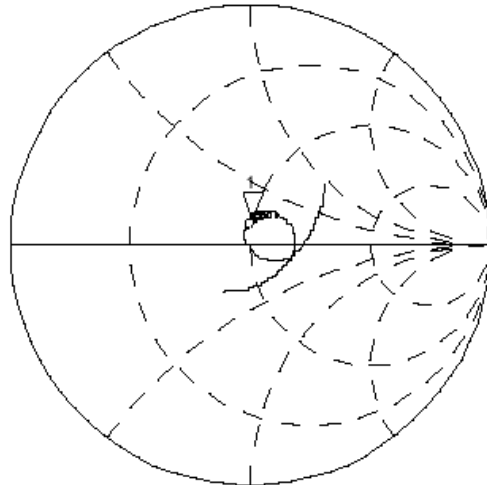
CH1 S11 1 UFS 1: 50 . 018 11 . 121 6. 8112 nH 259 . 861 000 MHz

z_p

Cor

PRm

Hid



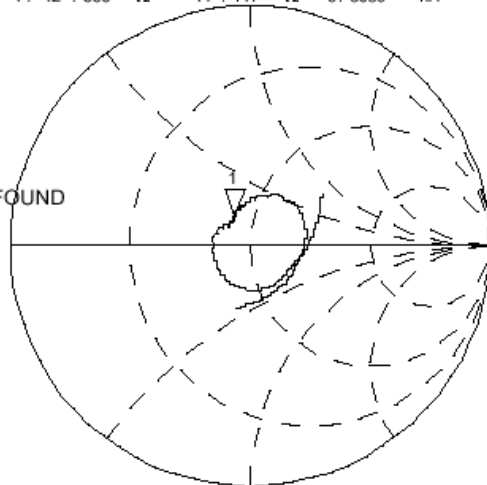
CH2 S22 1 UFS 1: 42 . 555 11 . 117 6. 8089 nH 259 . 861 000 MHz

Cor

PRm

Hid

CH2 TARGET VALUE NOT FOUND



CH2 Markers

BW: 0. 000000 MHz

cent : 0. 000000 MHz

Q: 0. 0000

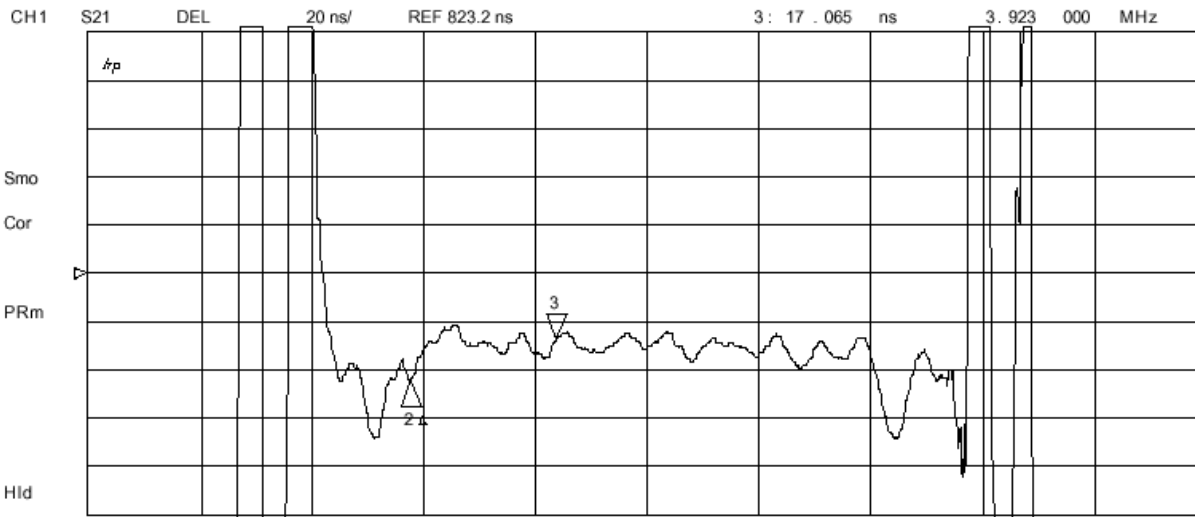
1_loss : 42 . 555 Ω

START 244 . 861 000 MHz

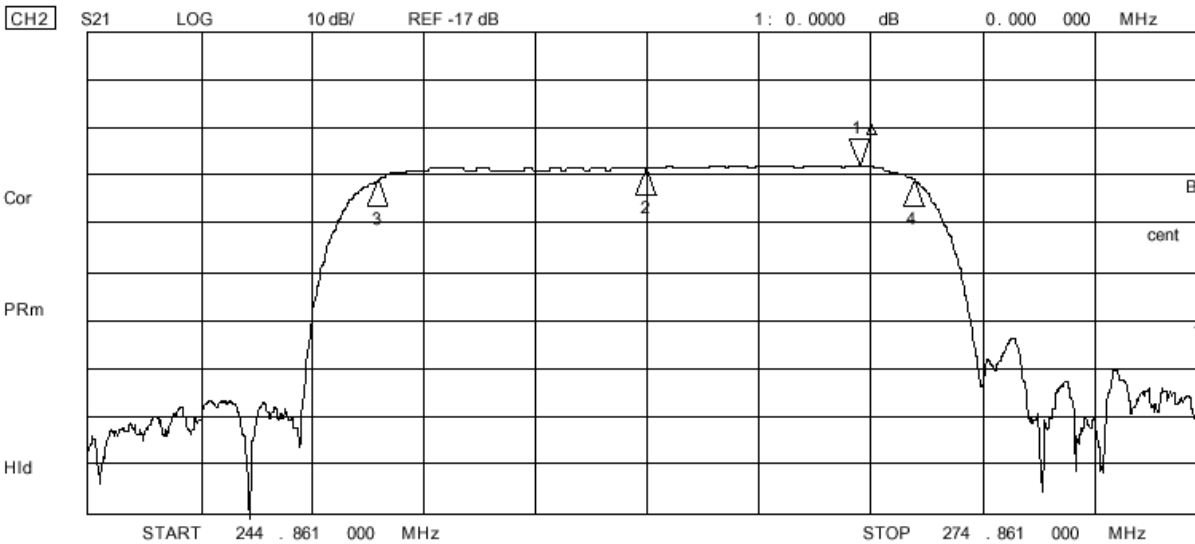
STOP 274 . 861 000 MHz

SF2025B
50 Ohm System

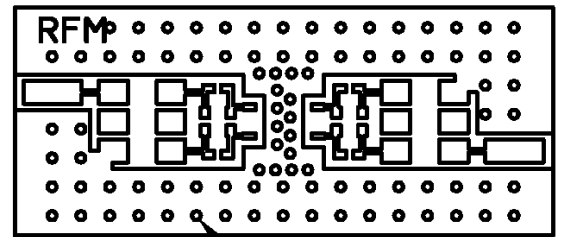
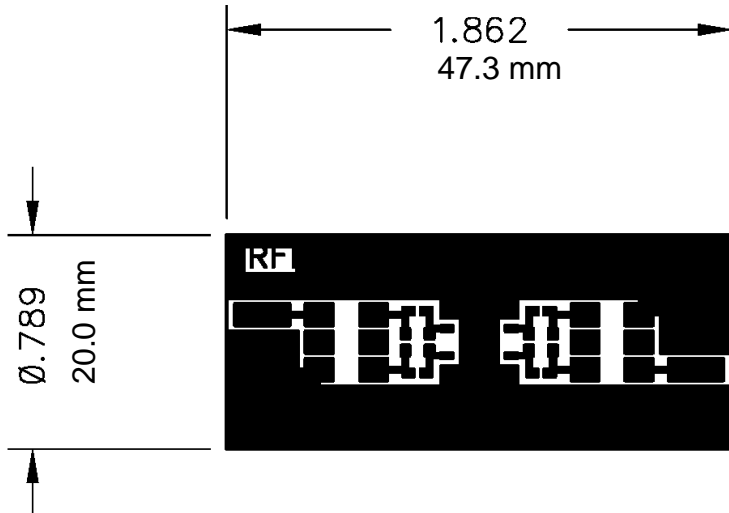
22 Dec 2003 16:58:01



CH1 Markers
Δ REF=2
mean : 793 . 54 ns
s. dev : 4 . 4506 ns
p-p : 23 . 142 ns



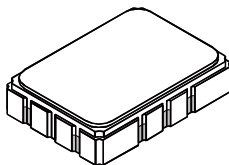
CH2 Markers
Max Δ REF=1
BW: 14 . 376387 MHz
cent : 259 . 844175 MHz
Q: 18 . 074
1. loss : -14 . 984 dB



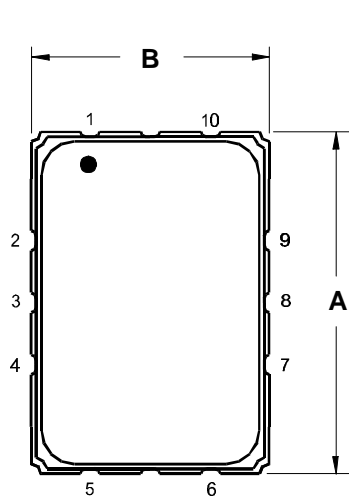
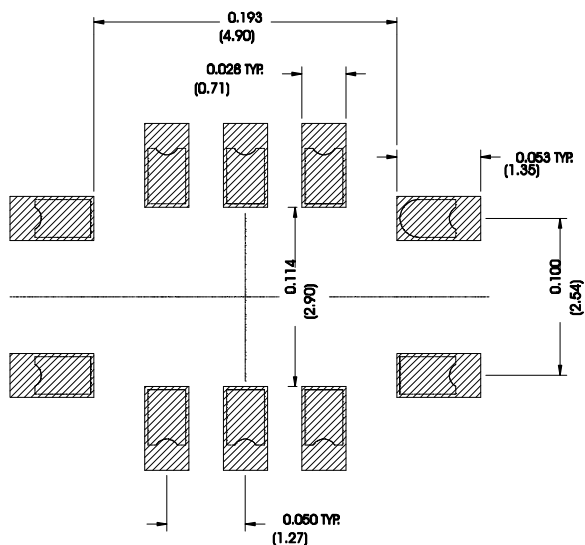
ALL HOLES PLATED THRU - ϕ 1/32 DRILL

SMP-03 Case

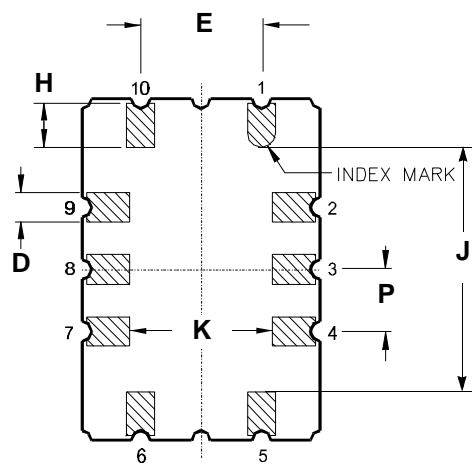
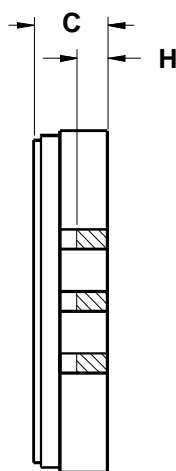
10-Terminal Ceramic Surface-Mount Case 7 x 5 mm Nominal Footprint



Recommended PCB Footprint



TOP VIEW



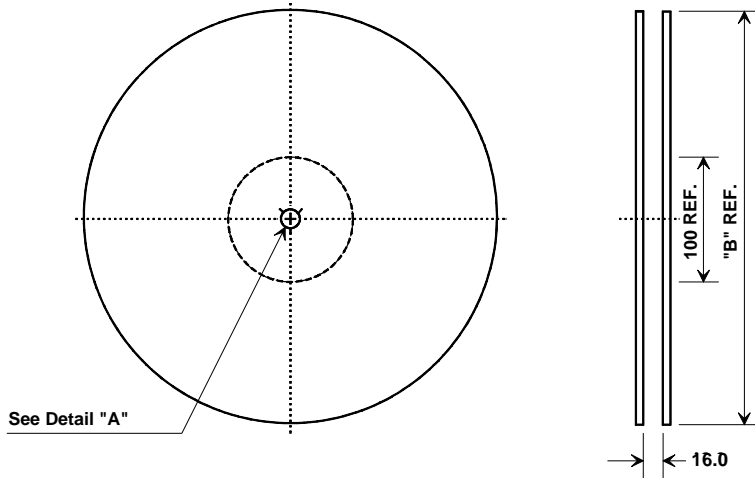
BOTTOM VIEW

Case Dimensions						
Dimension	mm			Inches		
	Min	Nom	Max	Min	Nom	Max
A	6.80	7.00	7.20	0.268	0.276	0.283
B	4.80	5.00	5.20	0.189	0.197	0.205
C		1.65	2.00		0.065	0.079
D	.47	0.60	.73	0.019	0.024	0.029
E	2.41	2.54	2.67	0.095	0.100	0.105
H	0.87	1.0	1.13	0.034	0.039	0.044
J	4.87	5.00	5.13	0.192	0.197	0.202
K	2.87	3.00	3.13	0.113	0.118	0.123
P	1.14	1.27	1.40	0.045	0.050	0.055

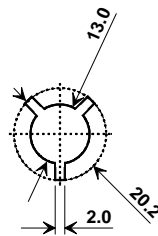
Materials	
Solder Pad Termination	Au plating 30 - 60 μinches (76.2-152 μm) over 80-200 μinches (203-508 μm) Ni.
Lid	Fe-Ni-Co Alloy Electroless Nickel Plate (8-11% Phosphorus) 100-200 μinches Thick
Body	Al ₂ O ₃ Ceramic
Pb Free	

Electrical Connections		
Connection		Terminals
Port 1	Input or Return	10
	Return or Input	1
Port 2	Output or Return	5
	Return or Output	6
Ground		All others
Single Ended Operation		Return is ground
Differential Operation		Return is hot

Tape and Reel Specifications



"B "		Quantity Per Reel
Nominal Size		
Inches	millimeters	
7	178	500
13	330	2000



COMPONENT ORIENTATION and DIMENSIONS

Carrier Tape Dimensions	
Ao	5.5 mm
Bo	7.5 mm
Ko	2.0 mm
Pitch	8.0 mm
W	16.0 mm

