



# 微波炉电容器事业部

## CAPACITORS FOR MICROWAVE OVENS (STANDARD CLASS SERIES)

专注于CBB85型微波炉倍压整流电路用电容器的制造。采用干式金属化聚丙烯薄膜结构、无漏液隐患；内置放电电阻、防错式快接端子、一体化安装耳，安装、连接便利高效。

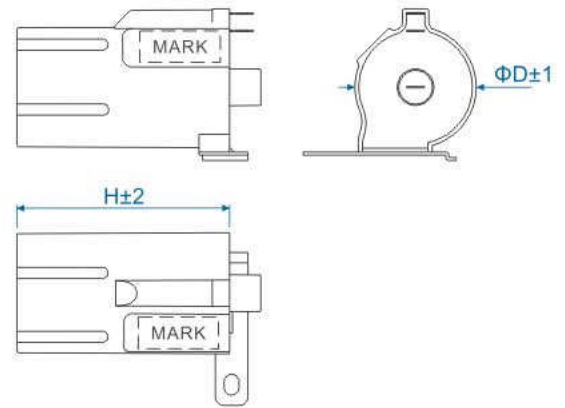
We are absorbed in research and produce CBB85 type microwave ovens capacitors which for the voltage doublers rectifier circuit. The products are made of dry metalized polypropylene film, sealing safe without the leaking trouble, and placing the resistance, defend quick-connect terminals, integrative mounting ears. They are convenient and efficient in installation and connection.

### 微波炉倍压整流 电路用电容器

# CBB85



引用标准 Reference standard	GB/T 18939.1、IEC 61270-1 VDE0560 PART2、JIS C 4908
气候类别 Climatic category	10 / 85 / 21
额定电压 Rated voltage	2100VAC ( 50 / 60Hz)
容量范围 Capacitance range	0.5 $\mu$ F ~ 1.2 $\mu$ F
容量偏差 Capacitance tolerance	$\pm$ 3%、 $\pm$ 4%
试验电压 Testing voltage	
极间 between terminals	4.3*U <sub>M</sub> (VDC) / 10s
极壳 between terminals and case	2.4*U <sub>M</sub> +1200(VAC) / 1s
损耗角正切 Tangent of loss angle(20°C)	$\leq$ 0.001 (1KHz)
使用等级 Application class	标准级 (S级) standard class( S class )



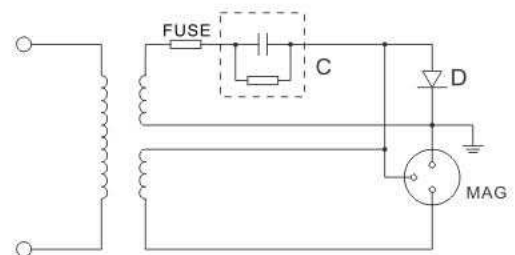
### 常用规格 Dimension

Unit : mm

Rated cap.	ΦD	H	Rated cap.	ΦD	H
0.50 $\mu$ F	38	62	0.92 $\mu$ F	41	72
0.60 $\mu$ F	38	62	0.95 $\mu$ F	41	72
0.65 $\mu$ F	38	62	1.00 $\mu$ F	41	72
0.70 $\mu$ F	38	72	1.05 $\mu$ F	41	72
0.75 $\mu$ F	38	72	1.07 $\mu$ F	41	72
0.80 $\mu$ F	38	72	1.10 $\mu$ F	43	72
0.85 $\mu$ F	38	72	1.15 $\mu$ F	43	72
0.90 $\mu$ F	41	72	1.20 $\mu$ F	43	72

更多规格详情请登录：<http://www.bm-cap.com>

### 典型线路图 Typical circuit



C:高压电容  
High voltage capacitor