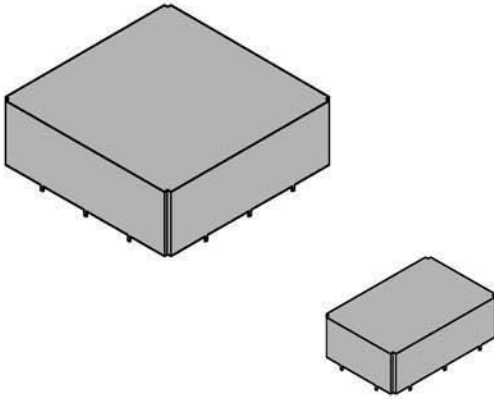


PCMC Series: PCB Mounting Cans



Specification

Material/Finish:	Tinplate to BS EN 1202
Thickness:	0.54mm
Surface resistivity:	$20 \times 10^{-6} \Omega$ per square
Conductivity:	$5 \times 10^4 S$ (mho)
Tolerance:	± 0.25 mm (general) ± 0.10 mm (PCB pin pitch)
Pin Size:	1mm x 2.25mm

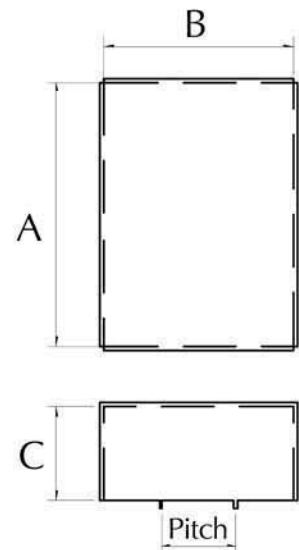
A low cost range of single piece PCB mounting cans giving good attenuation for applications where board level RFI/EMI screening is required, available in standard or custom options.

- ◆ **PCB Mounting Pins**
tinplate finish for solderability
- ◆ **Locking Pins (optional)**
for positive placement & retention (see next page)
ideal for reflow soldering applications
- ◆ **Butt Jointed Corners**
tinplate finish allows corners to be easily soldered for increased screening
- ◆ **Custom Sizes**
can be manufactured without tooling charges
making prototypes and low volumes viable
- ◆ **Additional Features**
holes, cut outs, etc., can be incorporated during manufacture (see back page)
- ◆ **Alternative Materials**
copper, brass, steel, nickel
- ◆ **Alternative Finishes**
bright acid tin, nickel plate

STOCK SIZES - Internal & overall dimensions (mm)

Part No.	Dim. A	Dim. B	Dim. C	Nominal overall size	Number of Pins	Pin Pitch
PCMC1	20	20	15	21 x 21 x 16	4	C/L
PCMC2	25	25	15	26 x 26 x 16	8	10.5
PCMC3	30	25	20	31 x 26 x 21	8	10.5
PCMC4	30	30	15	31 x 31 x 16	8	10.5
PCMC5	40	30	15	41 x 31 x 16	10	10.5
PCMC6	40	35	20	41 x 36 x 21	12	10.5
PCMC7	40	40	15	41 x 41 x 16	8	20
PCMC8	50	50	15	51 x 51 x 16	8	20
PCMC9	60	40	20	61 x 41 x 21	10	20
PCMC10	70	50	25	71 x 51 x 26	10	20
PCMC11	75	75	25	76 x 76 x 26	12	20
PCMC12	100	50	25	101 x 51 x 26	12	20

NOTE: A4 dimensioned drawings for each part are available on request.



Telephone: 020-8365 2520

Fax: 020-8365 3727

PERANCEA LTD

Page 6

Email: sales@perancea.com

Website: www.perancea.com

In line with our policy of continuous improvement we reserve the right to make design or product alterations without prior notice.