

## Features

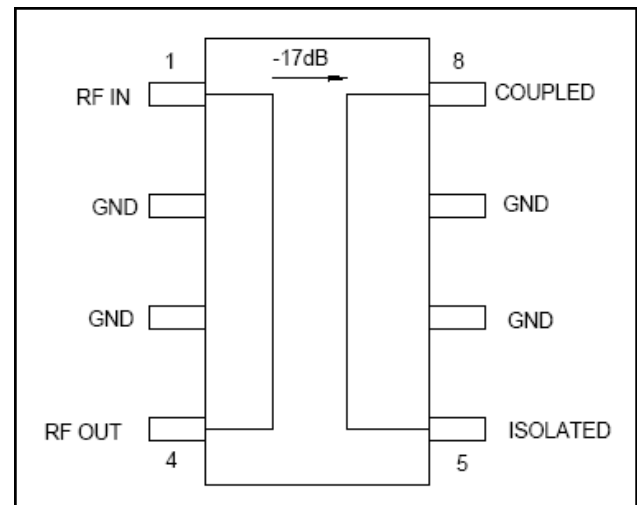
- Device is Bi-Directional
- Small Size and Low Profile
- Superior Repeatability
- Typical Insertion Loss 0.3 dB
- Typical Directivity 15 dB
- 2 Watt Power Handling
- Lead-Free SO-8 Package
- 100% Matte Tin Plating over Copper
- Halogen-Free “Green” Mold Compound
- 260°C Reflow Compatible
- RoHS\* Compliant Version of CH20-0032-17G

## Description

M/A-COM's MACPCC0002 is an IC based monolithic bi-directional coupler in a low cost SO-8 plastic package. This 17 dB coupler is ideally suited for applications where power monitoring, small size, low insertion loss, superior repeatability, and low cost are required. Typical applications include base station switching networks, power monitoring in hand-helds and other communication applications where size and PCB real estate is a premium. Available in tape and reel.

The MACPCC0002 is fabricated using a passive-integrated circuit process. The process features full chip passivation for increased performance and reliability.

## Functional Block Diagram



1. Pins 2, 3, 6, and 7 must be RF and DC grounded.

## Ordering Information

Part Number	Package
MACPCC0002	Bulk Packaging
MACPCC0002-TR	1000 piece reel
MACPCC0002-TB	Sample Test Board

Note: Reference Application Note M513 for reel size information.

## Pin Configuration

Pin No.	Function	Pin No.	Function
1	RF IN	5	ISOLATED
2	GND	6	GND
3	GND	7	GND
4	RF OUT	8	COUPLED

\* Restrictions on Hazardous Substances, European Union Directive 2002/95/EC.

## Electrical Specifications: $T_A = 25^\circ\text{C}$ , $Z_0 = 50\Omega$ <sup>1</sup>

Parameter	Units	Min	Typ	Max
Insertion Loss	dB	—	0.3	0.5
VSWR	—	—	1.3:1	1.6:1
Coupling	dB	—	17±2	—
Coupling Flatness	dB	—	1.2	1.5
Directivity	dB	10	15	—

## Absolute Maximum Ratings<sup>2,3</sup>

Parameter	Absolute Maximum
Input Power	2W CW
Operating Temperature	-40°C to +85°C
Storage Temperature	-65°C to +150°C

- Exceeding any one or combination of these limits may cause permanent damage to this device.
- M/A-COM does not recommend sustained operation near these survivability limits.

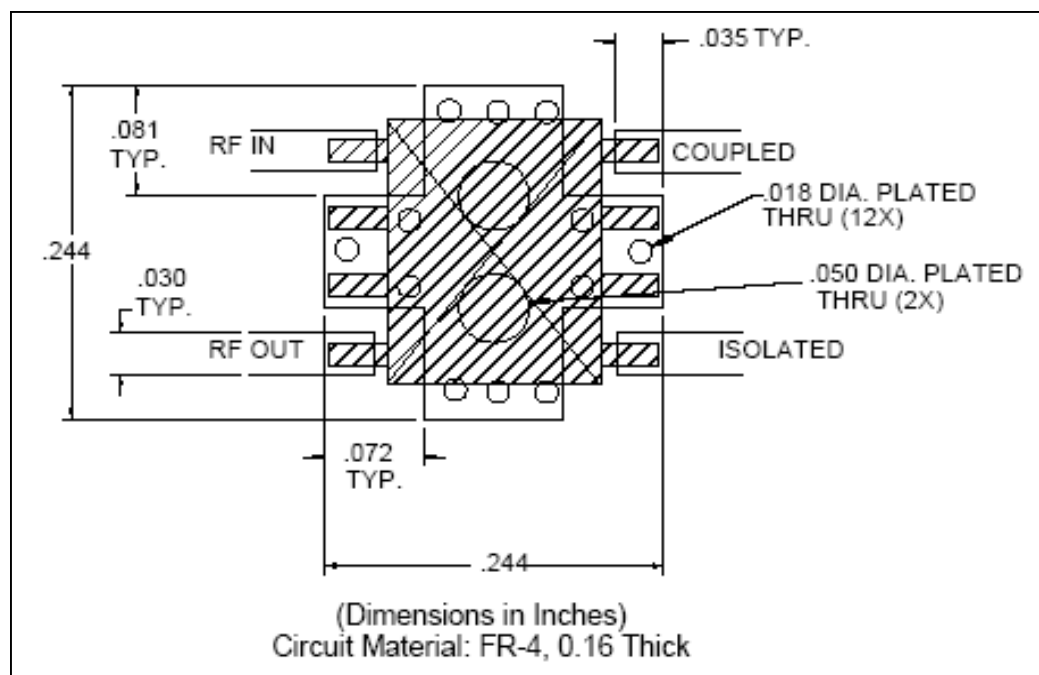
## Handling Procedures

Please observe the following precautions to avoid damage:

## Static Sensitivity

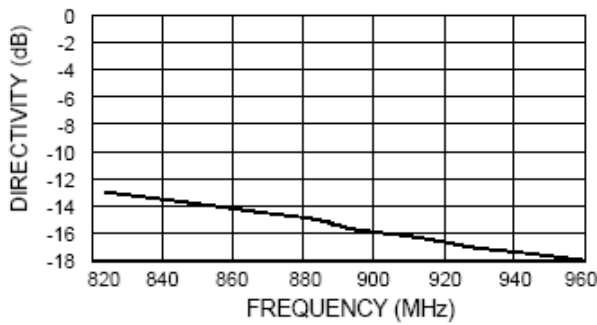
GMIC Circuits are sensitive to electrostatic discharge (ESD) and can be damaged by static electricity. Proper ESD control techniques should be used when handling these devices.

## Recommended PCB Configuration

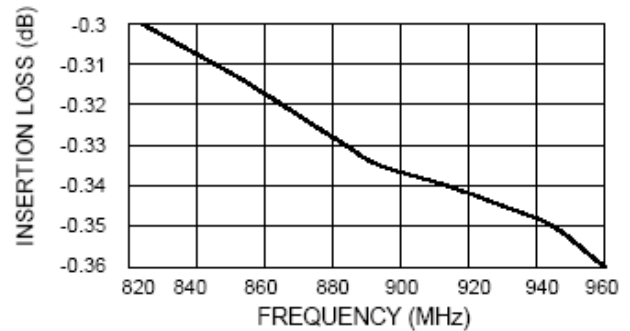


## Typical Performance Curves @ +25°C

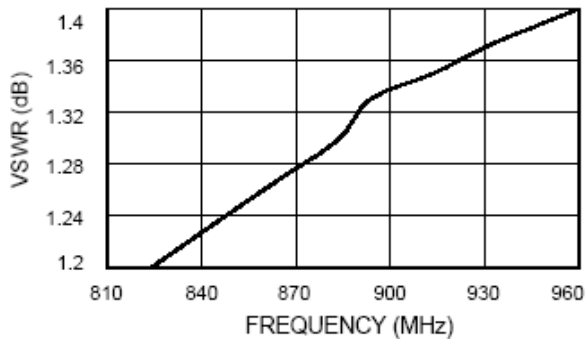
*Directivity vs. Frequency*



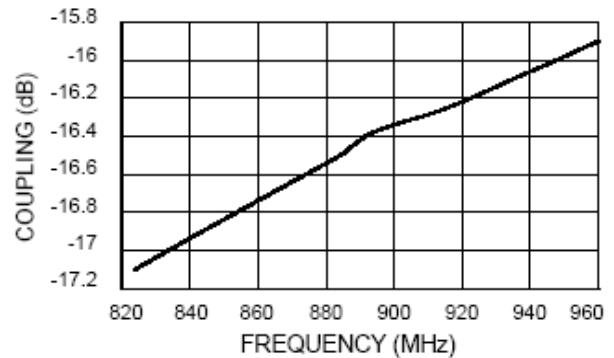
*Insertion Loss vs. Frequency*



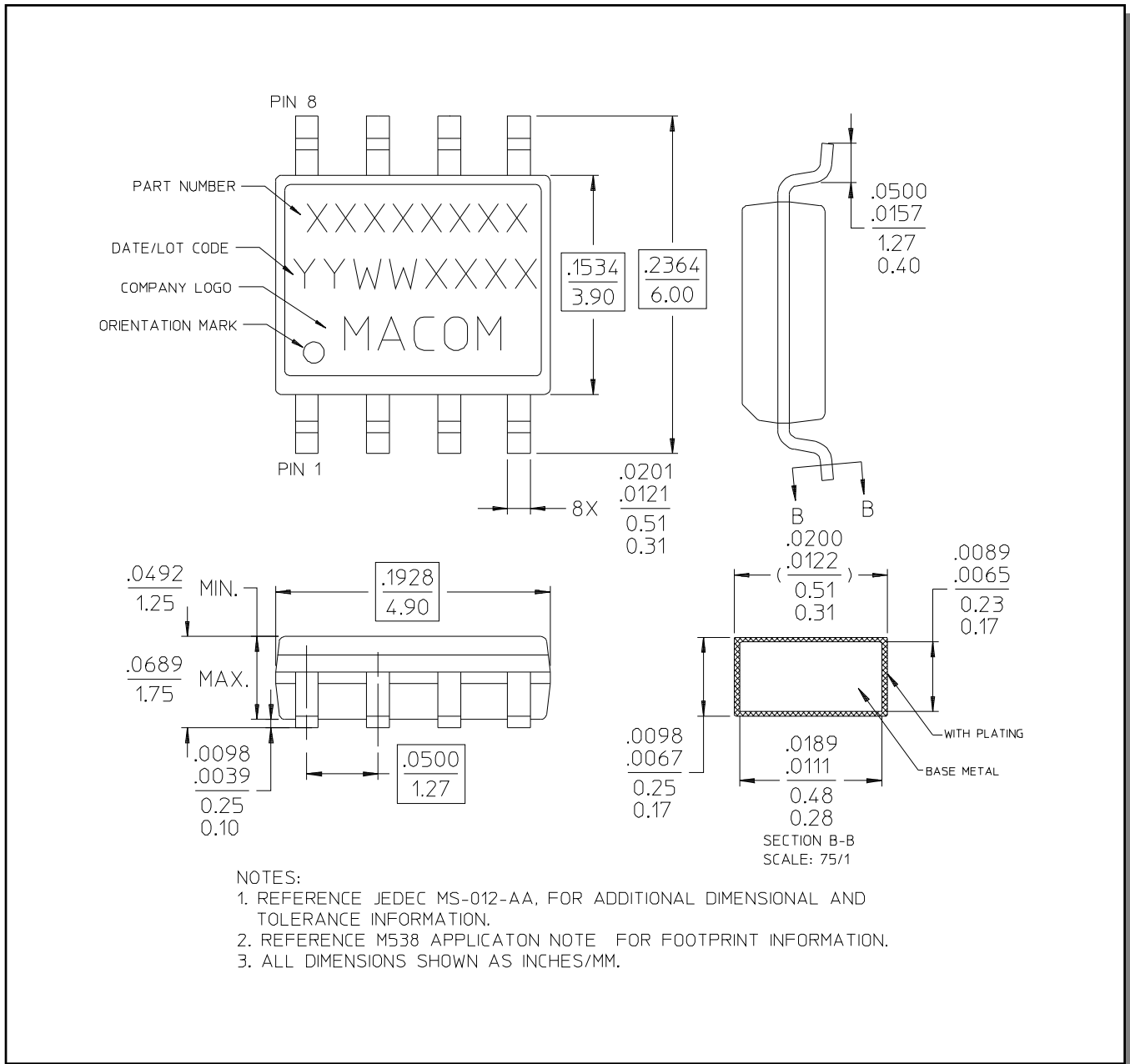
*VSWR vs. Frequency*



*Coupling vs. Frequency*



**Lead-Free, SOIC-8<sup>†</sup>**



<sup>†</sup> Reference Application Note M538 for lead-free solder reflow recommendations.