



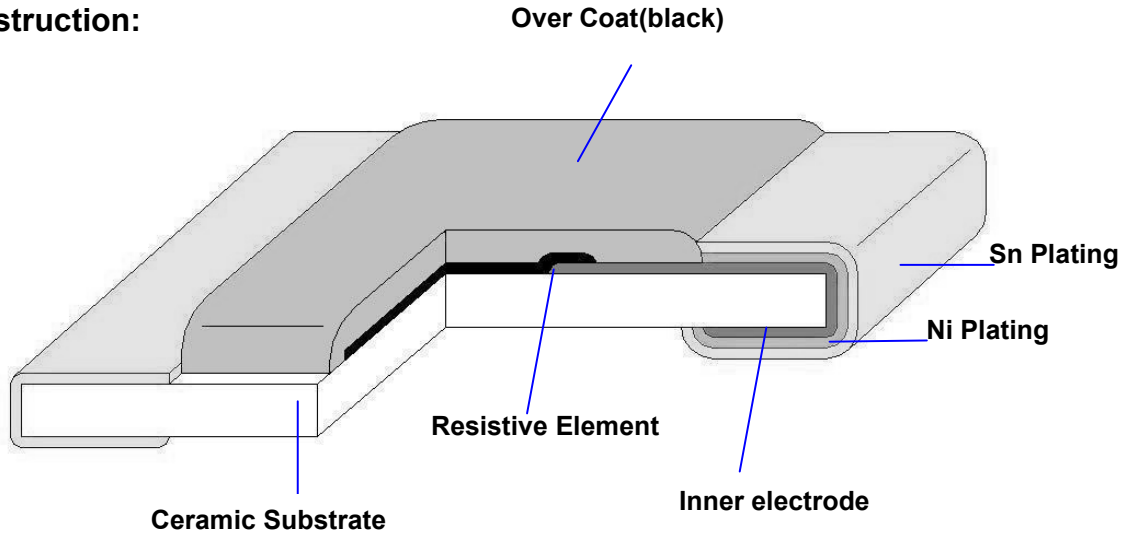
**Thin Film Chip Resistors  
RB series Standard  
(Halogen –Free)**

Document No	TRB-XX0S031M
Issued date	2013/01/17
page	1/13

**1. Scope :**

This specification applies for the RB series of thin film chip resistors made by TA-I.

**2. Construction:**



**3. Type Designation:**

**RB**

**06**

**B**

**T**

**P**

**1001**

Product Code

Size

Tolerance

Packaging

TCR

Nominal Resistance

RB : Thin Film

Power Rating

Resistance

04-0402(1005) 1/16W
06-0603(1608) 1/10W
10-0805(2012) 1/8W
12-1206(3216) 1/4W

A- ±0.05%
B- ±0.10%
C- ±0.25%
D- ±0.50%
F- ±1.00%

T- Paper
Tape

J- ±5 ppm
k- ±10 ppm
M- ±15 ppm
P- ±25 ppm
S- ±50 ppm
R- ±100 ppm

e.g.,
1001=1kΩ



**Thin Film Chip Resistors  
RB series Standard  
(Halogen -Free)**

Document No

TRB-XX0S031M

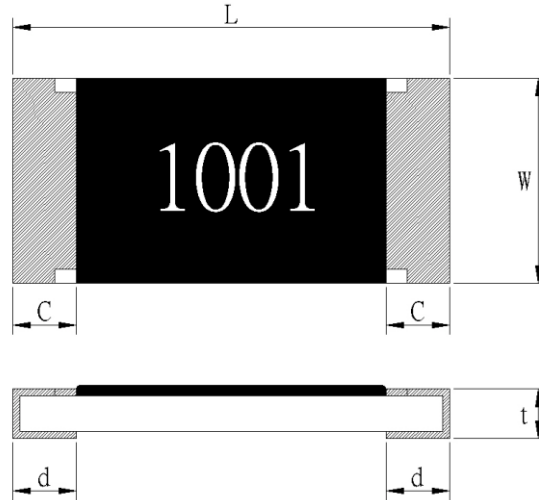
Issued date

2013/01/17

page

2/13

**4. Dimensions:**



**UNIT: mm**

Type	L	W	C	d	t
RB04	1.00± 0.05	0.50 ±0.05	0.20 ±0.10	0.25 ±0.10	0.35 ±0.05
RB06	1.60 ±0.10	0.80 ±0.10	0.30 ±0.20	0.30 + 0.20 - 0.10	0.45 ±0.10
RB10	2.00 ±0.10	1.25 ±0.10	0.40 ±0.20	0.40 ±0.20	0.50 ±0.10
RB12	3.10 ±0.10	1.55 ±0.10	0.50 ±0.30	0.40 ±0.20	0.55 ±0.10



**Thin Film Chip Resistors  
RB series Standard  
(Halogen –Free)**

Document No

TRB-XX0S031M

Issued date

2013/01/17

page

3/13

### 5. Ratings & Characteristics

Type	Power Rating at 70°C	Rated Voltage	Max. Working Voltage	Max. Over- Load Voltage	T.C.R (PPM/°C)	Resistance Range	Resistance tolerance(%)
RB04	1/16 W	Refer 5.2	50V	100V	± 5 ±10 ±25 ±50 ±100	10Ω~100KΩ	± 0.1~ ±1.0
RB06	1/10 W	Refer 5.2	75V	150V	± 25 ±50 ±100	1~9.1Ω	± 0.5~ ±1.0
RB06	1/10W	Refer 5.2	75V	150V	± 5 ±10 ±25 ±50 ±100	10Ω~390KΩ	± 0.1~ ±1.0
RB10	1/8 W	Refer 5.2	150V	300V	± 25 ± 50 ±100	1~9.1Ω	± 0.5~ ±1.0
RB10	1/8 W	Refer 5.2	150V	300V	± 5 ±10 ±25 ±50 ±100	10Ω~800KΩ	± 0.1~ ±1.0
RB12	1/4 W	Refer 5.2	150V	300V	± 25 ± 50 ±100	1~9.1Ω	± 0.5~ ±1.0
RB12	1/4 W	Refer 5.2	150V	300V	± 5 ±10 ±25 ±50 ±100	10Ω~1MΩ	± 0.1~ ±1.0

Operating Temp(°C): -55°C ~ +155°C

Note : Except for the above standardized products, we also provide the customized products.



**Thin Film Chip Resistors  
RB series Standard  
(Halogen –Free)**

Document No

TRB-XX0S031M

Issued date

2013/01/17

page

4/13

**5.1 Derating Curve :**

For resistors operated at ambient temperature over 70°C , power rating shall be derated according to figure 1.

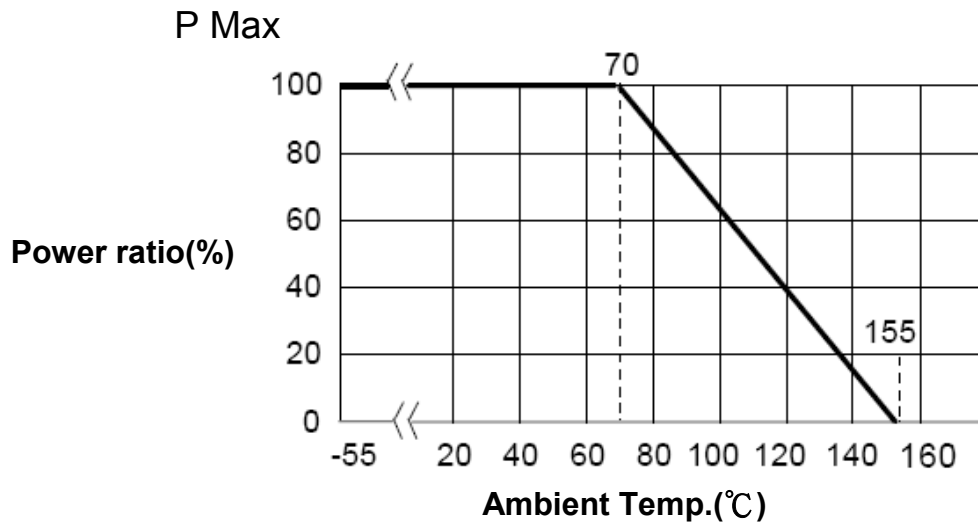


Figure 1.

**5.2 Rated Voltage:**

The rated voltage is calculated by the following formula:

$$E = \sqrt{P * R}$$

E=Rated Voltage(V)

P=Rated Power(W)

R=Resistance Value( $\Omega$ )



**Thin Film Chip Resistors  
RB series Standard  
(Halogen –Free)**

**Document No**

**TRB-XX0S031M**

**Issued date**

**2013/01/17**

**page**

**5/13**

**6. Reliability Tests:**

Test Items	Reference standard	Condition of Test	Test Limits
Temperature Coefficient of Resistance	IEC60115-1-4.8 JIS C5201-1-4.8	+25 ~ +125 °C	Refer 5.0
Rapid Change of Temp.	IEC60115-1-4.19 JIS C 5201-1-4.19	-55°C (30 min. ) / +155°C (30 min. ), 300 cycles	±(0.5%+0.05Ω)
Short Time Overload	IEC60115-1-4.13 JIS C5201-1-4.13	2.5 X rated voltage for 5sec	±(0.5% + 0.05Ω)
Resistance to Dry Heat	IEC60115-1-4.23.2 JIS C5201-1-4.23.2	155±5°C for 96±4Hrs	±(0.5% +0.05Ω)
Load Life	IEC60115-1-4.25.1 JIS C5201-1-4.25.1	1000 hours at rated power , 70°C , 1.5hours“ON “, 0.5hour “OFF”	±(0.5% +0.05Ω)
Resistance to Solder Heat	IEC60115-1-4.18 JIS C5201-1-4.18	260 ±5°C solder , 10 ±1 sec dwell .	0.1%:±(0.25% +0.05Ω) 0.5%.1%:±(0.5% +0.05Ω)
Bending	IEC60115-1-4.33 JIS C5201-1-4.33	3mm deflection	±(0.5% +0.05Ω)
Dielectric Withstanding Voltage (Voltage Proof)	IEC60115-1-4.7 JIS C5201-1-4.7	Applying voltage : 0402 & 0603 : 300V The other 500V for a minute .	No abnormalities such as flashover, burning dielectric breakdown shall appear.
Load Life with Humidity	IEC60115-1-4.24 JIS C5201-1-4.24	1000 hours 85°C/85%RH. Note: Specified conditions: 10% of operating power(not exceeding max working voltage). Measurement at 24±2 hours after test conclusion. (MSL: Level 1)	±(0.5% +0.05Ω)
Insulation Resistance	IEC60115-1-4.6 JIS C5201-1-4.6	Applying voltage 100V for 1 minute.	≥ 1GΩ
Solderability	IEC60115-1-4.17 JIS C5201-1-4.17	245 ±5°C solder, 2 ±0.5 sec dwell. Solder : Sn96.5 / Ag3.0 / Cu0.5	At least 95% of surface area of electrode shall be covered with new solder.

Note\* :RCWV : Rated continuous working voltage .

MSL : Moisture Sensitivity Level .



**Thin Film Chip Resistors  
RB series Standard  
(Halogen –Free)**

Document No

TRB-XX0S031M

Issued date

2013/01/17

page

6/13

**7. Marking**

**7.1 ±0.1% , ±0.5% , ±1% (E96 ) : RB10 / RB12**

Resistance value is expressed by 4 digits , the first three digits represent the significant figures of nominal resistance value in  $\Omega$  , and the fourth digit represents exponent for base of 10.

E.G. :  $1000 = 100 \times 10^0 = 100 \Omega$

**7.2 ±0.1% , ±0.5% , ±1% (RB06/E96)**

When the marking space is too small in such small-sized resistors as RB06, the marking can not made by 4 digits and may be made by two digits combined with one English capital.

Symbol for E96 series nominal resistance value

Symbol	E96	Symbol	E96	Symbol	E96	Symbol	E96
01	100	25	178	49	316	73	562
02	102	26	182	50	324	74	576
03	105	27	187	51	332	75	590
04	107	28	191	52	340	76	604
05	110	29	196	53	348	77	619
06	113	30	200	54	357	78	634
07	115	31	205	55	365	79	649
08	118	32	210	56	374	80	665
09	121	33	215	57	383	81	681
10	124	34	221	58	392	82	698
11	127	35	226	59	402	83	715
12	130	36	232	60	412	84	732
13	133	37	237	61	422	85	750
14	137	38	243	62	432	86	768
15	140	39	249	63	442	87	787
16	143	40	255	64	453	88	806
17	147	41	261	65	464	89	825
18	150	42	267	66	475	90	845
19	154	43	274	67	487	91	866
20	158	44	280	68	499	92	887
21	162	45	287	69	511	93	909
22	165	46	294	70	523	94	931
23	169	47	301	71	536	95	953
24	174	48	309	72	549	96	976

Symbol for multipliers

Symbol	A	B	C	D	E	F	G	H	X	Y	Z
multipliers	$10^0$	$10^1$	$10^2$	$10^3$	$10^4$	$10^5$	$10^6$	$10^7$	$10^{-1}$	$10^{-2}$	$10^{-3}$

Ex:  $02c = 102 \times 10^2 = 10.2k\Omega$



**Thin Film Chip Resistors  
RB series Standard  
(Halogen –Free)**

Document No

TRB-XX0S031M

Issued date

2013/01/17

page

7/13

**7.3  $\pm 0.1\%$  ,  $\pm 0.5\%$  ,  $\pm 1\%$  (RB06/E24)**

When the resistance value is not in the list of E96 , 3 digitals with underline in E-24 series is used as mark .

Symbol	E24	Marking	Symbol	E24	Marking	Symbol	E24	Marking
1	12R	<u>120</u>	31	510R	<u>511</u>	61	30K	<u>303</u>
2	16R	<u>160</u>	32	560R	<u>561</u>	62	33K	<u>333</u>
3	18R	<u>180</u>	33	620R	<u>621</u>	63	36K	<u>363</u>
4	22R	<u>220</u>	34	680R	<u>681</u>	64	39K	<u>393</u>
5	24R	<u>240</u>	35	820R	<u>821</u>	65	43K	<u>433</u>
6	27R	<u>270</u>	36	910R	<u>911</u>	66	47K	<u>473</u>
7	30R	<u>300</u>	37	1K2	<u>122</u>	67	51K	<u>513</u>
8	33R	<u>330</u>	38	1K6	<u>162</u>	68	56K	<u>563</u>
9	36R	<u>360</u>	39	1K8	<u>182</u>	69	62K	<u>623</u>
10	39R	<u>390</u>	40	2K2	<u>222</u>	70	68K	<u>683</u>
11	43R	<u>430</u>	41	2K4	<u>242</u>	71	82K	<u>823</u>
12	47R	<u>470</u>	42	2K7	<u>272</u>	72	91K	<u>913</u>
13	51R	<u>510</u>	43	3K0	<u>302</u>	73	120K	<u>124</u>
14	56R	<u>560</u>	44	3K3	<u>332</u>	74	160K	<u>164</u>
15	62R	<u>620</u>	45	3K6	<u>362</u>	75	180K	<u>184</u>
16	68R	<u>680</u>	46	3K9	<u>392</u>	76	220K	<u>224</u>
17	82R	<u>820</u>	47	4K3	<u>432</u>	77	240K	<u>244</u>
18	91R	<u>910</u>	48	4K7	<u>472</u>	78	270K	<u>274</u>
19	120R	<u>121</u>	49	5K1	<u>512</u>	79	300K	<u>304</u>
20	160R	<u>161</u>	50	5K6	<u>562</u>	80	330K	<u>334</u>
21	180R	<u>181</u>	51	6K2	<u>622</u>	81	360K	<u>364</u>
22	220R	<u>221</u>	52	6K8	<u>682</u>	82	390K	<u>394</u>
23	240R	<u>241</u>	53	8K2	<u>822</u>	83	430K	<u>434</u>
24	270R	<u>271</u>	54	9K1	<u>912</u>	84	470K	<u>474</u>
25	300R	<u>301</u>	55	12K	<u>123</u>	85	510K	<u>514</u>
26	330R	<u>331</u>	56	16K	<u>163</u>	86	560K	<u>564</u>
27	360R	<u>361</u>	57	18K	<u>183</u>	87	620K	<u>624</u>
28	390R	<u>391</u>	58	22K	<u>223</u>	88	680K	<u>684</u>
29	430R	<u>431</u>	59	24K	<u>243</u>	89	820K	<u>824</u>
30	470R	<u>471</u>	60	27K	<u>273</u>	90	910K	<u>914</u>



**Thin Film Chip Resistors  
RB series Standard  
(Halogen –Free)**

Document No	TRB-XX0S031M
Issued date	2013/01/17
page	8/13

Ex.: 0603 , 120Ω , 0.1% Marking is 121



**7.4 ±0.1% , ±0.5% , ±1%( E96/3digitals)**

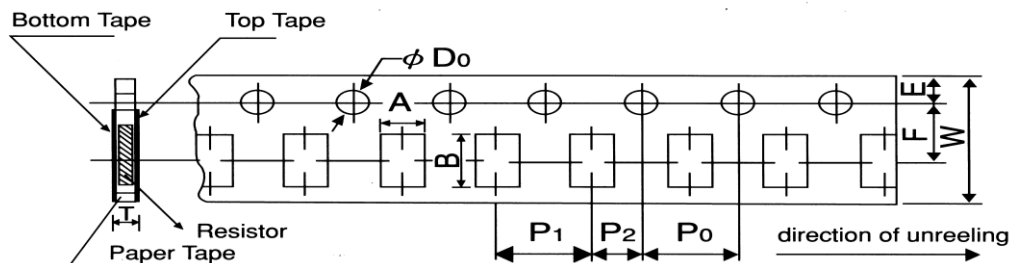
The resistance value by 3 digits is requirement for customer.

**7.5 No Marking for RB04**

**8. Taping & Reel**

**8.1 Taping Dimensions**

**8.1.1 4 mm pitch paper**



Packing	Type	A	B	W	F	E	P <sub>1</sub>	P <sub>2</sub>	P <sub>0</sub>	D <sub>0</sub>	T
Paper Tape	RB06	1.1±0.1	1.9±0.1	8.0±0.2	3.5±0.05	1.75±0.1	4.0±0.1	2.0±0.1	4.0±0.1	Φ <sub>1.5</sub> <sup>+0.1</sup> <sub>-0</sub>	0.64±0.1
	RB10	1.6±0.15	2.4±0.2								0.84±0.1
	RB12	2.0±0.15	3.6±0.2								0.84±0.1

UNIT: mm





**Thin Film Chip Resistors  
RB series Standard  
(Halogen –Free)**

Document No

TRB-XX0S031M

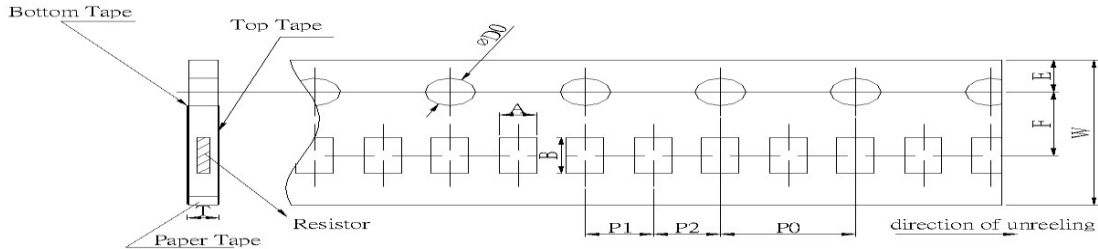
Issued date

2013/01/17

page

9/13

**8.1.2 2 mm pitch paper**



Packing	Type	A	B	W	F	E	P <sub>1</sub>	P <sub>2</sub>	P <sub>0</sub>	D <sub>0</sub>	T
Paper	RB04	0.7±0.05	1.2±0.05	8.0±0.2	3.5±0.05	1.75±0.1	2.0±0.1	2.0±0.1	4.0±0.1	Φ <sub>1.5</sub> <sup>+0.1</sup> <sub>-0</sub>	0.45±0.1

UNIT: mm

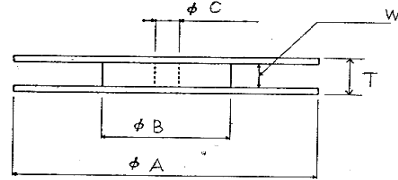
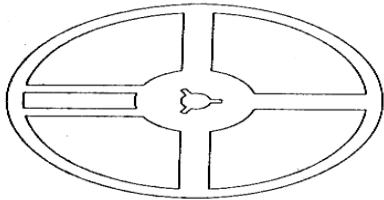
Type Size		Paper Tape	
		4 mm pitch	2 mm pitch
		180mm/R	180mm/R
RB	04		10000
RB	06	5000	
RB	10	5000	
RB	12	5000	



**Thin Film Chip Resistors  
RB series Standard  
(Halogen –Free)**

Document No	TRB-XX0S031M
Issued date	2013/01/17
page	10/13

**8.2 Reel Specifications**

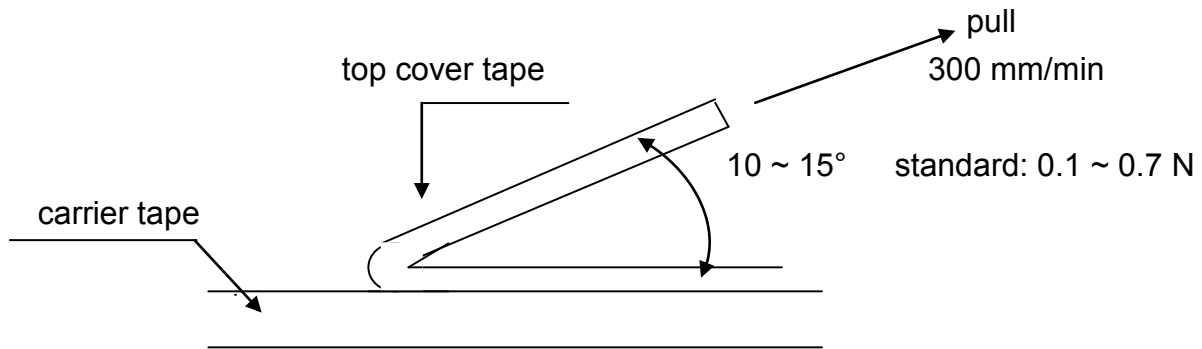


Type	ΦA	ΦB	ΦC	W	T
RB 04 / 06 RB10 / 12	178.0 ±2.0	60.0 ±1.0	13.0 ±1.0	9.0 ±1.0	11.4 ±1.0

UNIT: mm

**8.3 Peel – off force :**

Peel – off force of paper and blister tape is in accordance with “JIS ”  
that is , 0.1 to 0.7 N at a peel-off speed of 300 mm / minute.



UNIT:mm

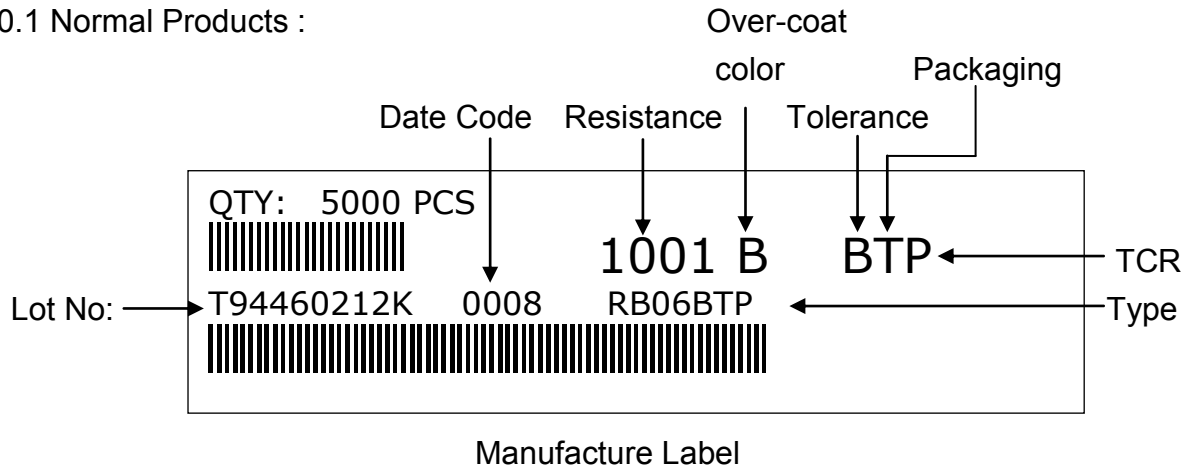


**Thin Film Chip Resistors  
RB series Standard  
(Halogen –Free)**

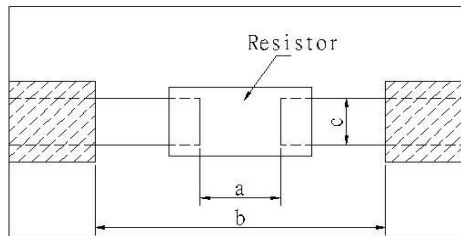
Document No	TRB-XX0S031M
Issued date	2013/01/17
page	11/13

**9. Label**

10.1 Normal Products :



**10. Recommended land patterns**



Land pattern		Dimension ( mm )		
Type	Size	a	b	c
RB	04 (0402 )	0.5 ~ 0.6	1.4 ~ 1.6	0.5~ 0.6
RB	06 (0603 )	0.7 ~ 0.9	2.0 ~ 2.2	0.9 ~1.0
RB	10 (0805 )	1.0 ~ 1.4	3.2 ~ 3.8	1.3 ~1.4
RB	12 (1206 )	2.0 ~ 2.4	4.4 ~ 5.0	1.6 ~1.8

**11. ECN**

Engineering Change Notice: The customer will be informed with ECN if there is significant modification on the characteristics and materials described in Approval Sheet.

**12. Storage Conditions:**

Temperature: 5°C~35°C, Humidity:40%~75%

**13. Shelf Life:**

2 years from manufacturing date.



**Thin Film Chip Resistors  
RB series Standard  
(Halogen –Free)**

Document No

TRB-XX0S031M

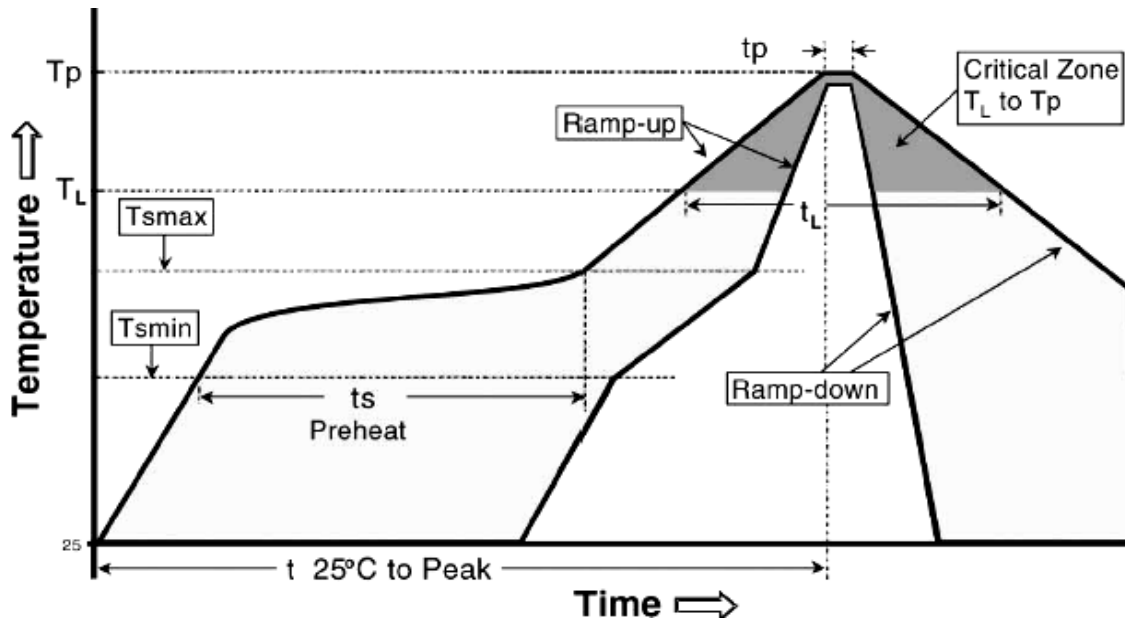
Issued date

2013/01/17

page

12/13

**14. Recommend IR – Reflow profile : (solder : Sn96.5 / Ag3 / Cu0.5)**



Profile Feature	Lead (Pb )-Free Assembly
Average ramp-up rate (T <sub>smax</sub> to T <sub>p</sub> )	3°C / second max.
Preheat - Temperature Min (T <sub>smin</sub> ) - Temperature Max (T <sub>smax</sub> ) - Time (T <sub>smin</sub> to T <sub>smax</sub> ) (t <sub>s</sub> )	150°C 200°C 60 -150 seconds
Time maintained above : - Temperature (T <sub>l</sub> ) - Time (T <sub>l</sub> )	217°C 60-120 seconds
Peak Temperature (T <sub>p</sub> )	MAX:260°C
Time within $\begin{matrix} +0 \\ -5 \end{matrix}$ °C of actual Peak Temperature (t <sub>p</sub> ) <sup>2</sup>	10 seconds
Ramp-down Rate	6°C/second max.
Time 25°C to Peak Temperature	8minutes max.



**Thin Film Chip Resistors  
RB series Standard  
(Halogen –Free)**

Document No

TRB-XX0S031M

Issued date

2013/01/17

page

13/13

**15. Manufacturing Country & City :**

TA-I TECHNOLOGY CO., LTD. ( Taiwan– Tao Yuan )

Tel: (+886) 3-3246169 Fax : (+886) 3-3246167

**Associated companies :**

(1)TA-I TECHNOLOGY ( SU ZHOU ) CO., LTD. ( China – Su Zhou)

Tel :(+86) 512-63457879 Fax : (+86) 512-63457869

(2) TA-I TECHNOLOGY ELECTRONIC (DONGGUAN ) CO., LTD. ( China –Dongguan )

Tel : (+86) 769-8339-4790~3 Fax : (+86) 769-8339-4794

(3) FORTUNE TASK RESISTOR FACTORY ( China – Dongguan )

Tel : (+86) 769-8339-4790~3 Fax : (+86) 769-8339-4794

(4) TAI OHM ELECTRONICS ( M ) SDN. BHD. ( Malaysia – Penang )

Tel :(+60) 4- 3900480 Fax : (+60) 4-3901481

(5) P.T.TAI ELECTRONIC Indonesia ( Indonesia – Jakarta )

Tel :(+62) 21-89830123 Fax : (+62) 21-89830703