



T-51-09-08

ZN559

LOW COST 8-BIT LATCHED INPUT MONOLITHIC D-A CONVERTER

The ZN559 is a low cost 8-bit D-A converter with input latches to facilitate updating from a data bus. The latch is transparent when enable is LOW and the data is held when enable is taken HIGH. The device has a precision 2.5V voltage reference, the use of which is pin optional to retain flexibility. An external fixed or varying reference may therefore be substituted.

FEATURES

- Low Cost DAC with Data Latch and On-Chip Reference
- Guaranteed Monotonic over the Full Operating Temperature Range
- Complementary to the ZN449 ADC
- 800ns Settling Time
- Single +5V Supply
- Microprocessor, TTL and 5V CMOS Compatible
- Commercial and Military Temperature Ranges

ORDERING INFORMATION

Device type	Operating temperature	Package
ZN559D	0°C to +70°C	MP16
ZN559E-8	0°C to +70°C	DP16
ZN559J-8	-55°C to +125°C	DC16

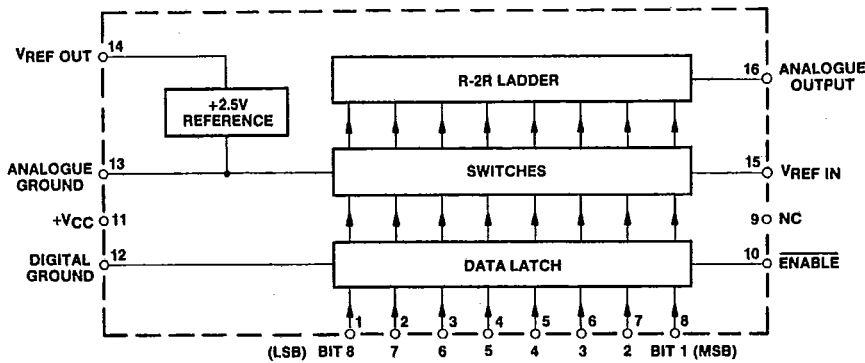
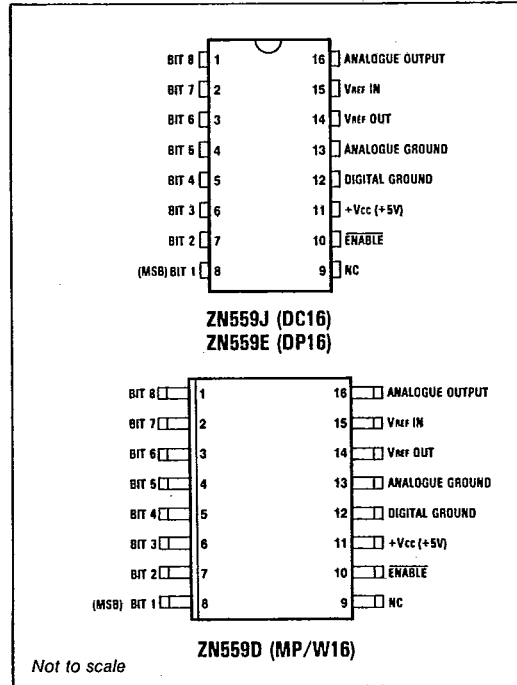


Fig.1 System diagram

ABSOLUTE MAXIMUM RATINGS

T-51-09-08

Supply voltage V_{CC}	+7.0V
Max. voltage, logic and V_{REF} input	+ V_{CC}
Operating temperature range	0 to +70°C (ZN559E & ZN559D) -55 to +125°C (ZN559J)
Storage temperature range	-55 to +125°C
Analogue ground to digital ground	±200mV

ELECTRICAL CHARACTERISTICS ($V_{CC} = +5V$, $T_{amb} = 25°C$ unless otherwise specified).

Parameter	Min.	Typ.	Max.	Units	Conditions
Internal voltage reference					
Output voltage	2.475	2.550	2.625	V	} $R_{REF} = 390\Omega$ $C_{REF} = 1\mu F$
Slope resistance		0.5	2	Ω	
$V_{REF OUT}$ T.C.		50		ppm/°C	
Reference current	4		15	mA	Note 1
D-A converter					
Linearity error			±1.0	LSB	$2.0V \leq V_{REF IN} \leq 3.0V$
Differential non-linearity		±0.5	±0.75	LSB	
Linearity error T.C.		±3		ppm/°C	
Differential non-linearity T.C.		±6		ppm/°C	
Offset voltage ZN559E		3	6	mV	All bits OFF
ZN559D		3	6	mV	All bits OFF
ZN559J		3	6	mV	All bits OFF
Offset voltage T.C.		±6		$\mu V/°C$	
Full scale output	2.540	2.550	2.560	V	} External reference $V_{REF IN} = 2.560V$, all bits ON
Full scale output T.C.		2		ppm/°C	
Analogue output resistance		4		k Ω	
External reference voltage	0		3.0	V	
Settling time to 0.5 LSB		800		ns	1 LSB major transition (note 2) All bits ON to OFF or OFF to ON (note 2)
		1.25		μs	
Operating temperature range:					
ZN559E & ZN559D	0		70	C	
ZN559J	-55		125	C	
Supply voltage (V_{CC})	4.5	5.0	5.5	V	

Note 1 See REFERENCE
 Note 2 $R_L = 10M\Omega$, $C_L = 10pF$.

ELECTRICAL CHARACTERISTICS (Cont.)

T-51-09-08

Parameter	Min.	Typ.	Max.	Units	Conditions
Supply current		20	30	mA	Note 3
Power consumption		100		mW	
Logic (over specified operating temperature range)					
High level input voltage V_{IH}	2.0			V	
Low level input voltage V_{IL}			0.8	V	
High level input current I_{IH}			60	μA	$V_{IN} = 5.5V, V_{CC} = Max.$
			20	μA	$V_{IN} = 2.4V, V_{CC} = Max.$
Low level input current I_{IL}			-5	μA	$V_{IN} = 0.4V, V_{CC} = Max.$
Input clamp diode voltage		-1.5		V	$I_{IN} = -8mA$
Enable pulse width	100			ns	
Data set-up time	150			ns	Note 4
Data hold time	10			ns	Note 5

Note 3 All inputs HIGH ($V_{IH} = 3.5V$).

Note 4 Set up time before enable goes high.

Note 5 Hold time after enable goes high.

D-A CONVERTER

The converter is of the voltage switching type and uses an R-2R ladder network as shown in Fig. 2. Each 2R element is connected to 0V or $V_{REF IN}$ by transistor voltage switches specially

designed for low offset voltage ($< 1mV$). A binary weighted voltage is produced at the output of the R-2R ladder.

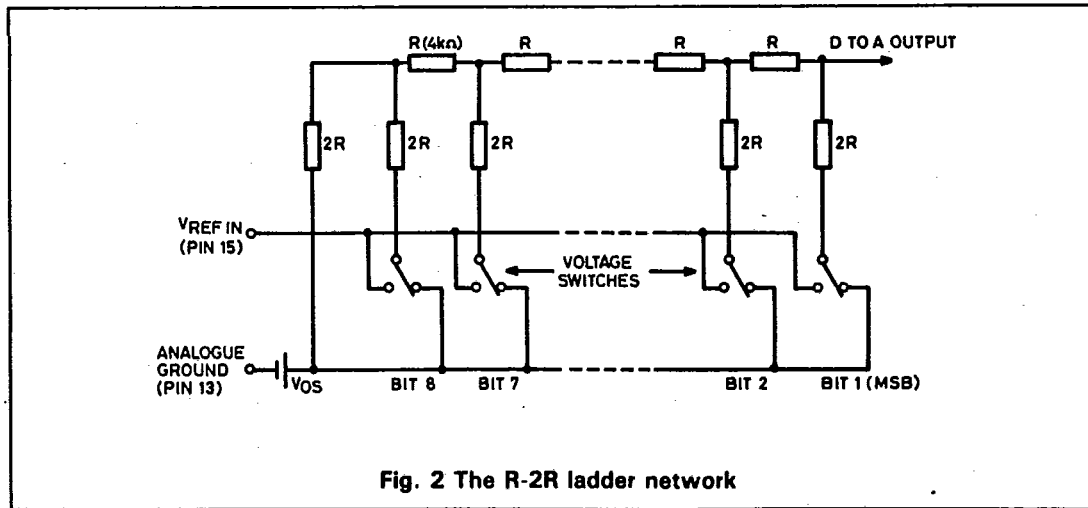


Fig. 2 The R-2R ladder network

Analogue output = $\frac{n}{256}(V_{REF IN} - V_{OS}) + V_{OS}$
 where n is the digital input to the D-A from the data latch.

V_{OS} is a small offset voltage produced by the D-A switch currents flowing through the

package lead resistance. The value of V_{OS} is typically 1mV. This offset will normally be removed by the setting up procedure (see APPLICATIONS section) and because the offset temperature coefficient is low ($\pm 6\mu V/^{\circ}C$) the effect on accuracy is negligible.

T-51-09-08

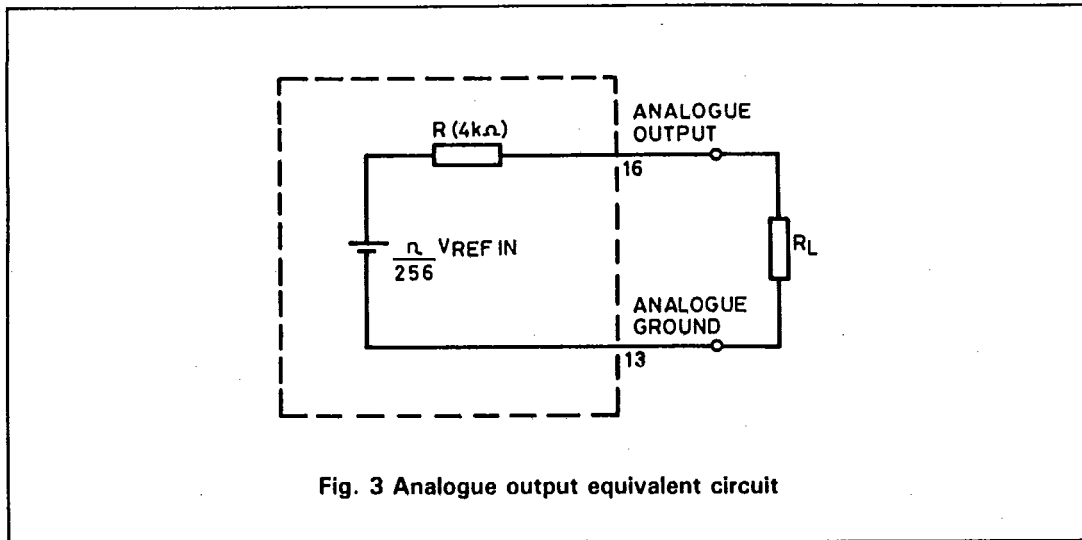


Fig. 3 Analogue output equivalent circuit

Fig. 3 shows an equivalent circuit of the output (ignoring V_{OS}). The output resistance R has a temperature coefficient of +0.2% per $^{\circ}C$.

The gain drift due to this is $\frac{0.2R}{R + R_L}$ % per $^{\circ}C$

R_L should be chosen to be as large as possible to make the gain drift small. As an example if $R_L = 400k\Omega$ then the gain drift due to the T.C. of R for a $100^{\circ}C$ change in ambient temperature will be less than 0.2%. Alternatively the ZN559 can be buffered by an amplifier (see APPLICATIONS section).

REFERENCE

(a) Internal reference

The internal reference is an active band gap circuit which is equivalent to a 2.5V Zener diode with a very low slope impedance (Fig. 4). A resistor (R_{REF}), should be connected between $+V_{CC}$ (pin 11) and pin 14. The recommended value of 390Ω will supply a nominal reference current of $(5.0-2.5)/0.39$

= 6.4mA. A stabilising/decoupling capacitor $C_{REF} = 1\mu F$ is required between pins 14 and 13 for internal reference option, $V_{REF OUT}$ (pin 14) being connected to $V_{REF IN}$ (pin 15).

Up to five ZN559's may be driven from one internal reference (there is no need to reduce R_{REF}). This useful feature saves power and gives excellent gain tracking between the converters.

(b) External reference

If required an external reference voltage may be connected to $V_{REF IN}$. The slope resistance of such a reference source should be less than $\frac{2.5\Omega}{n}$, where n is the number of converters supplied.

$V_{REF IN}$ can be varied from 0 to +3V for ratiometric operation. The ZN559 is guaranteed monotonic for $V_{REF IN}$ above 2V.

T-51-09-08

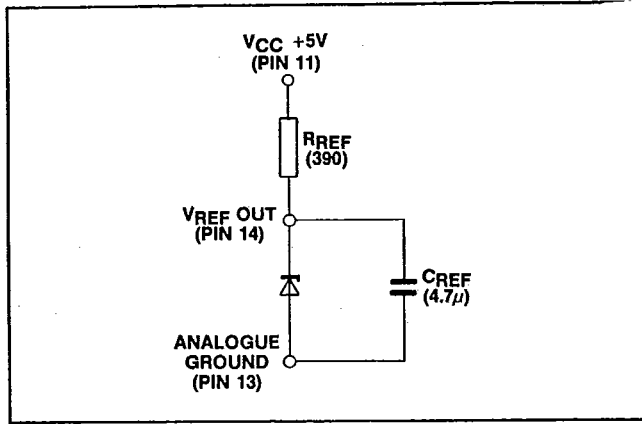


Fig. 4 Internal voltage reference

LOGIC

Input coding is binary for unipolar operation and offset binary for bipolar operation. When the enable input is low the data inputs drive the D-A directly. When enable goes high the input data word is held in the data latch.

The equivalent circuit for the data and clock

inputs is shown in Fig.5.

The ZN559 is provided with separate analogue and digital ground connections. The circuit will operate correctly with as much as $\pm 200\text{mV}$ between the two grounds.

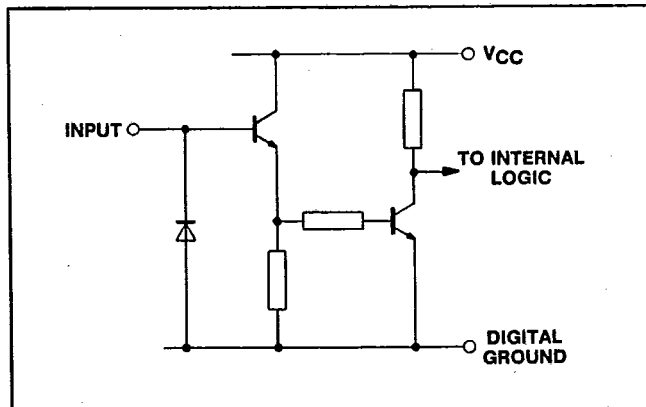


Fig. 5 Equivalent circuit of all inputs

APPLICATIONS

In some applications the standard 0 to $V_{REF IN}$ output voltage range and drive capability are not suitable, and other output ranges, both unipolar and bipolar are required.

To maintain flexibility two types of operational amplifier are illustrated; the industry standard 741 and a low cost pin-compatible alternative with a JFET input, the LF351. The LF351 features a high slew rate of $13V/\mu s$, which gives a faster potential settling time than the 741. To keep drift to a minimum when using the 741, the external range setting resistors are calculated to match them to the $4K\Omega$ ladder output impedance. This is not a consideration with the LF351, as the input offset current change with temperature is negligible for the impedances concerned. The resistor values for the LF351 were chosen to keep the output ringing to a minimum; a problem sometimes encountered with high slew rate op-amps. It is only the relative and not the absolute values of these resistors which set the range, and therefore can be changed as long as their ratios remain the same.

1) Unipolar operation

T-51-09-08

The general scheme for unipolar operation is shown in Fig. 6 and is suitable for amplifiers with input bias currents less than $1.5\mu A$.

The resulting full scale range is given by

$$V_{OUT FS} = \left(1 + \frac{R_1}{R_2}\right) (V_{REF IN} - 1LSB)$$

$$= G (V_{REF IN} - 1LSB)$$

The impedance at the inverting input is R_1/R_2 and for low drift with temperature (741 only), this parallel combination should be equal to the ladder resistance ($4k\Omega$).

The required nominal values of R_1 and R_2 are therefore given by $R_1 = 4Gk\Omega$ and $R_2 = 4G/(G-1)k\Omega$.

Using these relationships a table of nominal resistance values for R_1 and R_2 can be constructed for $V_{REF IN} = 2.5V$.

Output range	G	R_1	R_2
+ 5V	2	$8k\Omega$	$8k\Omega$
+ 10V	4	$16k\Omega$	$5.33k\Omega$

For gain setting R_1 is adjusted about its nominal value. Practical circuit realisations for + 5 and

+ 10V output ranges are given in Figs. 7 & 8

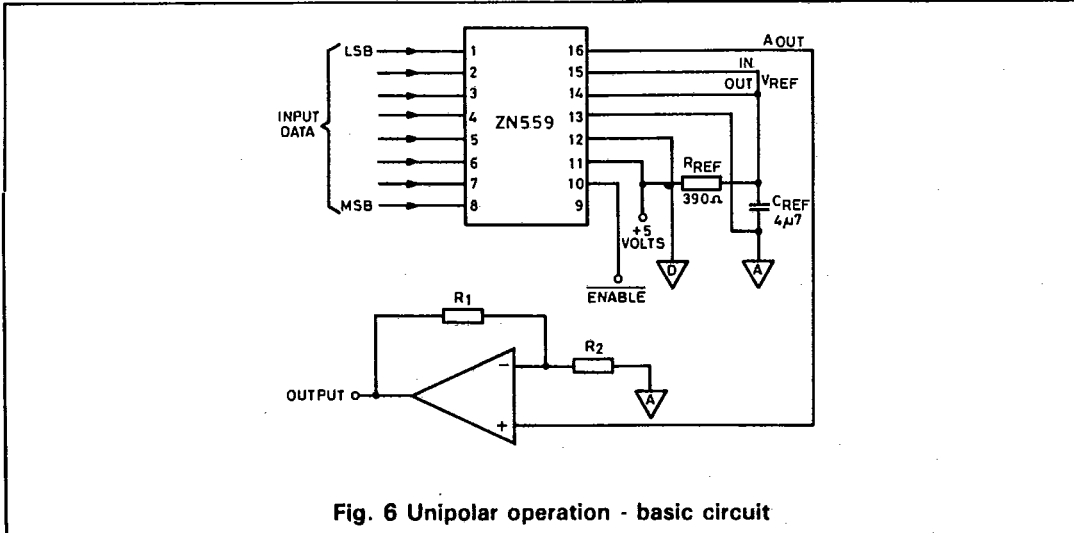
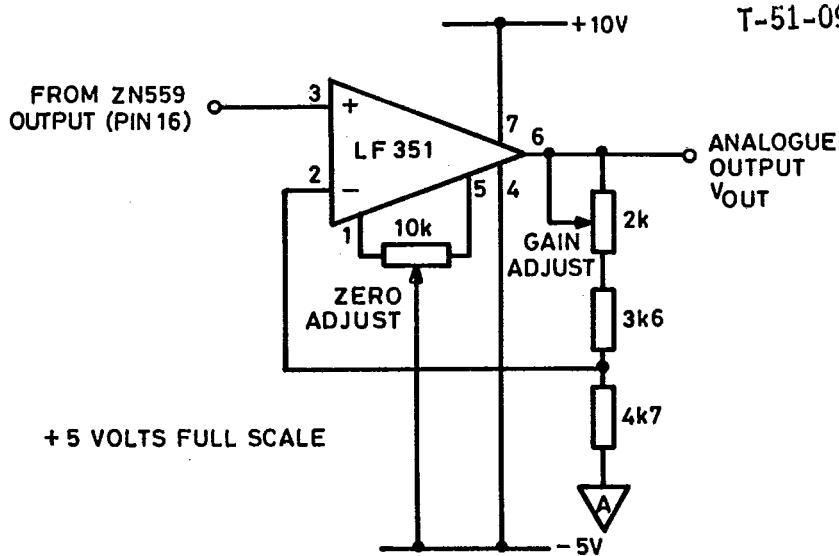


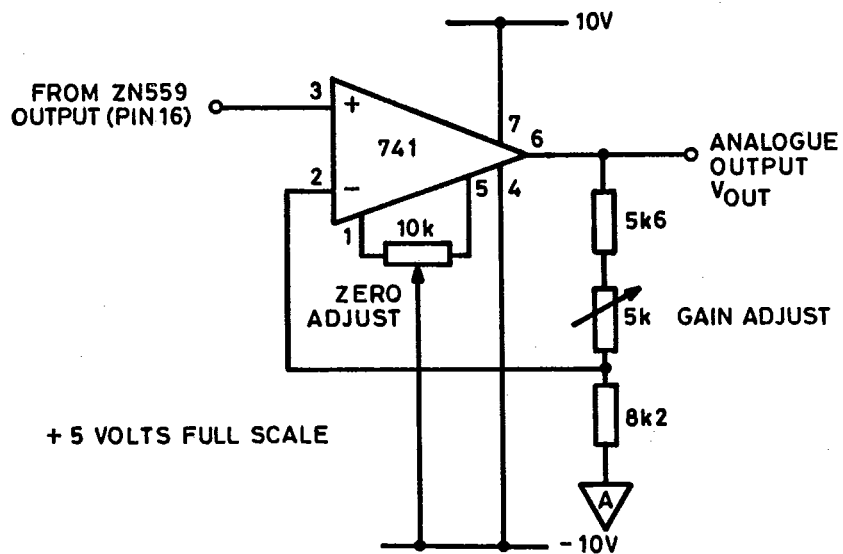
Fig. 6 Unipolar operation - basic circuit

RESISTORS $\pm 2\%$
 POTENTIOMETERS $\pm 20\%$

T-51-09-08



a) Using an LF351

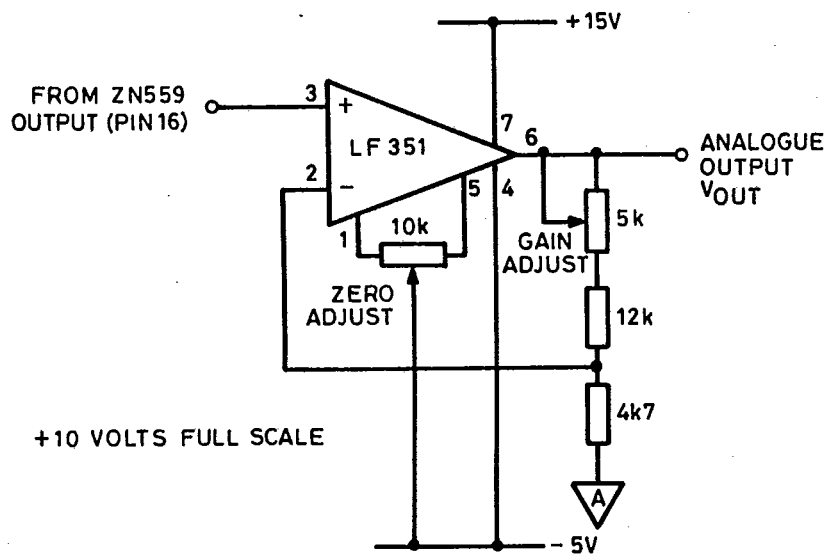


b) Using a 741

Fig. 7 +5V full scale unipolar operation - component values

T-51-09-08

RESISTORS $\pm 2\%$
POTENTIOMETERS $\pm 20\%$



a) Using an LF351

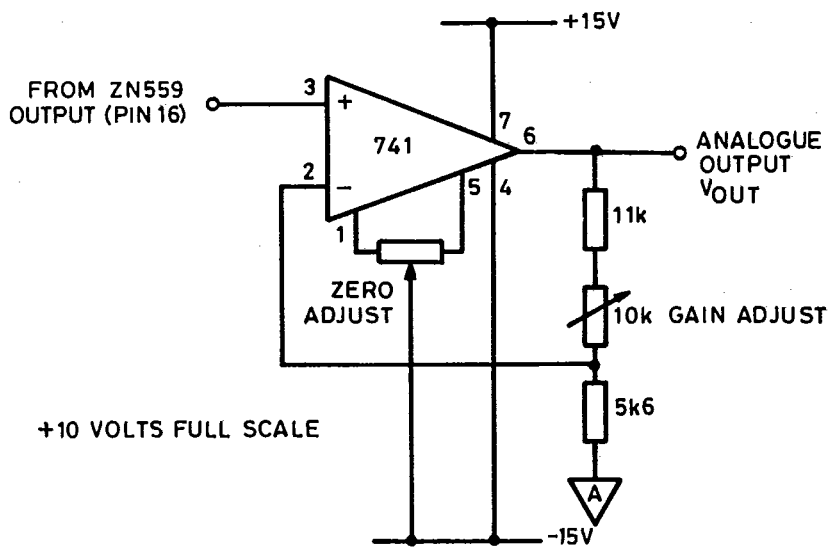


Fig. 8 +10V full scale unipolar operation - component values

UNIPOLAR ADJUSTMENT PROCEDURE

T-51-09-08

- (i) Set all bits to OFF (low) with enable low and adjust zero until $V_{OUT} = 0.0000V$.
- (ii) Set all bits ON (high) and adjust gain until $V_{OUT} = FS - 1LSB$.

UNIPOLAR SETTING UP POINTS

Output range, +FS	LSB	FS - 1LSB
+ 5V	19.5mV	4.9805V
+ 10V	39.1mV	9.9609V

$$1LSB = \frac{FS}{256}$$

UNIPOLAR LOGIC CODING

Input code (Binary)	Analogue output (Nominal value)
11111111	FS - 1LSB
11111110	FS - 2LSB
11000000	$\frac{1}{4} FS$
10000001	$\frac{1}{2} FS + 1LSB$
10000000	$\frac{1}{2} FS$
01111111	$\frac{1}{4} FS - 1LSB$
01000000	$\frac{1}{4} FS$
00000001	1LSB
00000000	0

T-51-09-08

(2) Bipolar operation

For bipolar operation the output from the ZN559 is offset by half full scale by connecting a resistor

R_3 between $V_{REF IN}$ and the inverting input of the buffer amplifier (Fig. 9).

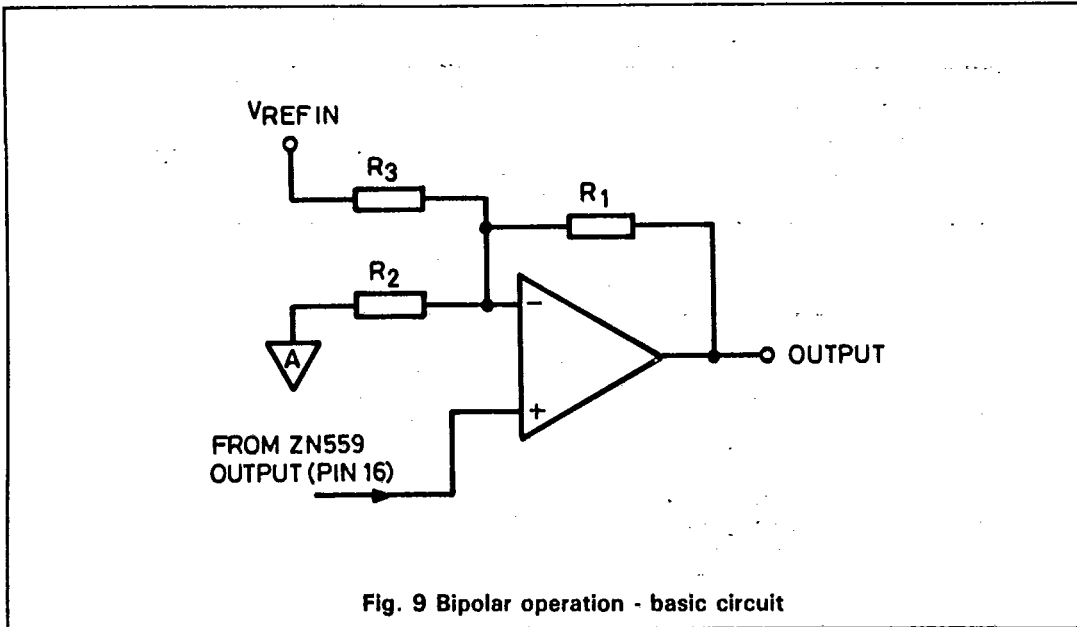


Fig. 9 Bipolar operation - basic circuit

When the digital input to the ZN559 is zero the analogue output is zero and the amplifier output should be - full scale. An input of all ones to the D-A will give a ZN559 output of $V_{REF IN} - 1LSB$ and an amplifier output of + full scale. When using the 741, the parallel combination of R_1 , R_2 , and R_3 should match the $4k\Omega$ ladder resistance.

The nominal values of R_1 , R_2 and R_3 which meet these conditions are given by

$$R_1 = 8Gk\Omega, R_2 = 8G/(G-1)k\Omega \text{ and } R_3 = 8k\Omega$$

where the resultant output range is $\pm G V_{REF IN}$.

A bipolar output range of $\pm V_{REF IN}$ (which corresponds to the basic unipolar range 0 to $V_{REF IN}$) is obtained if $R_1 = R_3 = 8k\Omega$ and $R_2 = \infty$.

Assuming that $V_{REF IN} = 2.5V$ the nominal values of resistors for ± 5 and $\pm 10V$ output ranges are given in the following table:

Output range	G	R_1	R_2	R_3
$\pm 5V$	2	$16k\Omega$	$16k\Omega$	$8k\Omega$
$\pm 10V$	4	$32k\Omega$	$10.66k\Omega$	$8k\Omega$

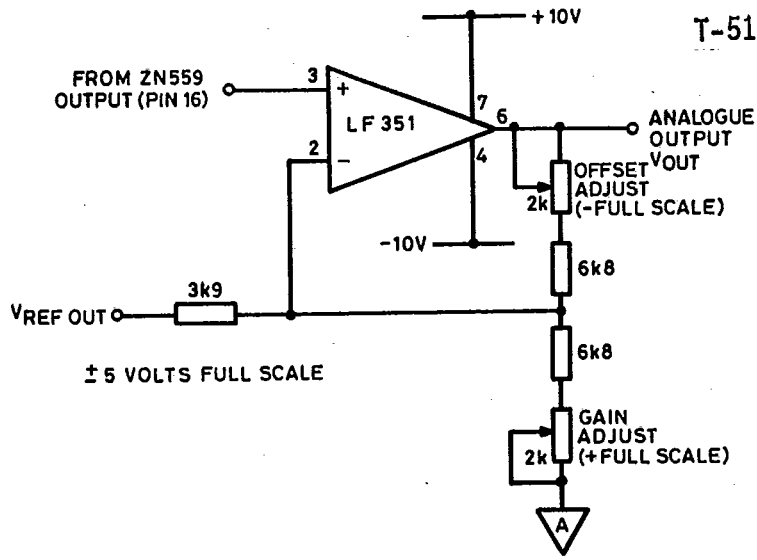
Minus full scale (offset) is set by adjusting R_1 about its nominal value relative to R_3 . Plus full scale (gain) is set by adjusting R_2 relative to R_1 .

Practical circuit realisations are given in Figs. 10 & 11.

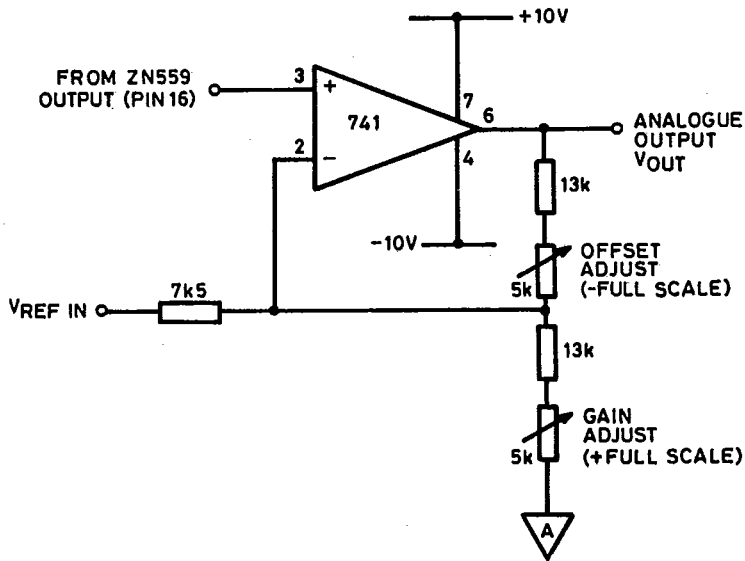
Note that in the $\pm 5V$ case (741 only), R_3 has been chosen as $7.5k\Omega$ (instead of $8.2k\Omega$) to give a more symmetrical range of adjustment using standard potentiometers.

RESISTORS $\pm 2\%$
POTENTIOMETERS $\pm 20\%$

T-51-09-08



a) Using an LF351

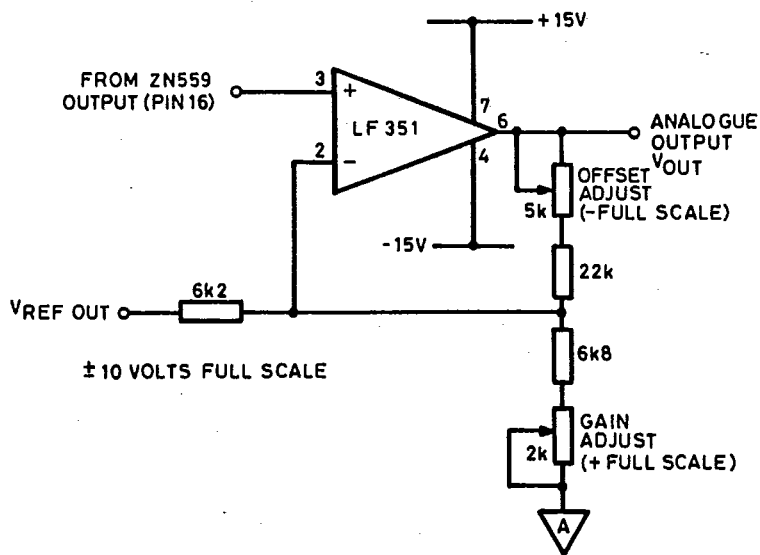


b) Using a 741

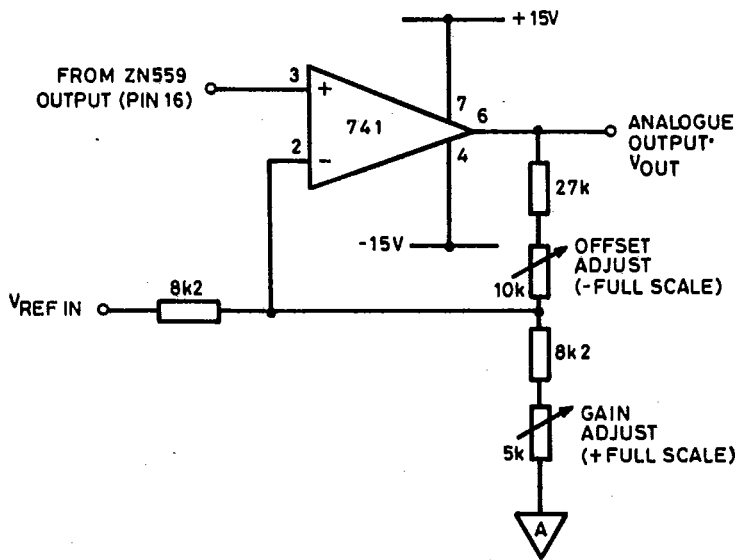
Fig. 10 $\pm 5V$ full scale bipolar operation - component values

RESISTORS $\pm 2\%$
POTENTIOMETERS $\pm 20\%$

T-51-09-08



a) Using an LF351



b) Using a 741

Fig. 11 $\pm 10V$ full scale bipolar operation - component values

T-51-09-08

Bipolar Adjustment Procedure

- (i) Set all bits to OFF (low) with enable low and adjust offset until the amplifier output reads - full scale.
- (ii) Set all bits ON (high) and adjust gain until the amplifier output reads + (full scale - 1LSB).

BIPOLAR SETTING UP POINTS

Input range, ±FS	LSB	-FS	+(FS - 1LSB)
± 5V	39.1mV	- 5.0000V	+ 4.9609V
± 10V	78.1mV	- 10.0000V	+ 9.9219V

$$1\text{LSB} = \frac{2\text{FS}}{256}$$

BIPOLAR LOGIC CODING

Input code (Offset binary)	Analogue output (Nominal value)
11111111	+(FS - 1LSB)
11111110	+(FS - 2LSB)
11000000	+ ½FS
10000001	+ 1LSB
10000000	0
01111111	- 1LSB
01000000	- ½FS
00000001	-(FS - 1LSB)
00000000	- FS