

2C and 2G Series—Short Type Connectors

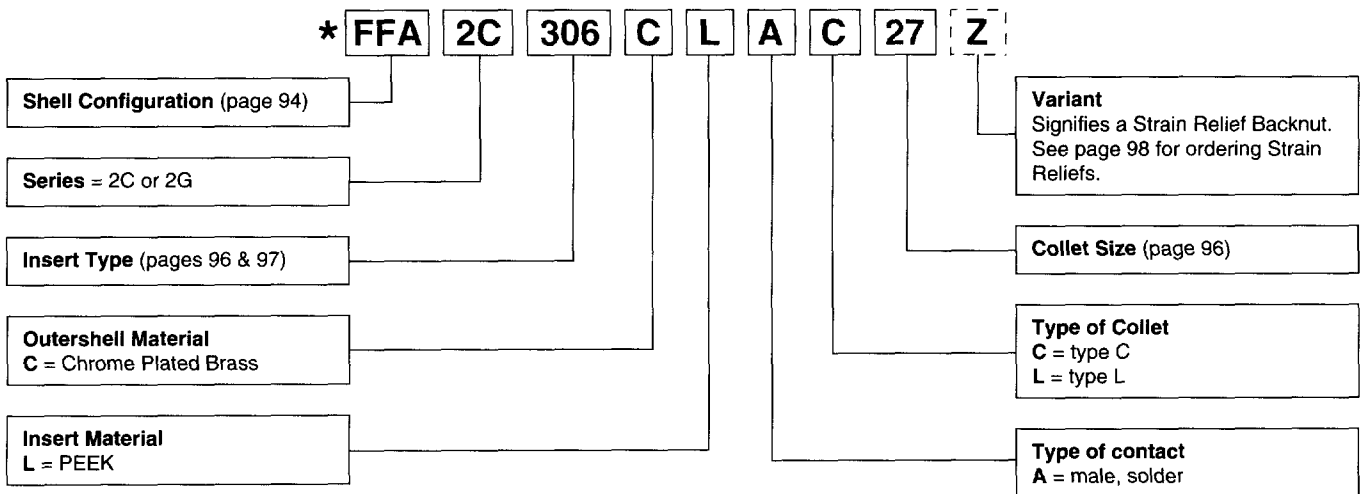
This short series is ideal where space limitation does not allow the use of a normal-sized connector.

2C series connectors **do not** mate with S series or B series connectors.

2C series short-type connectors are available only in size 2.

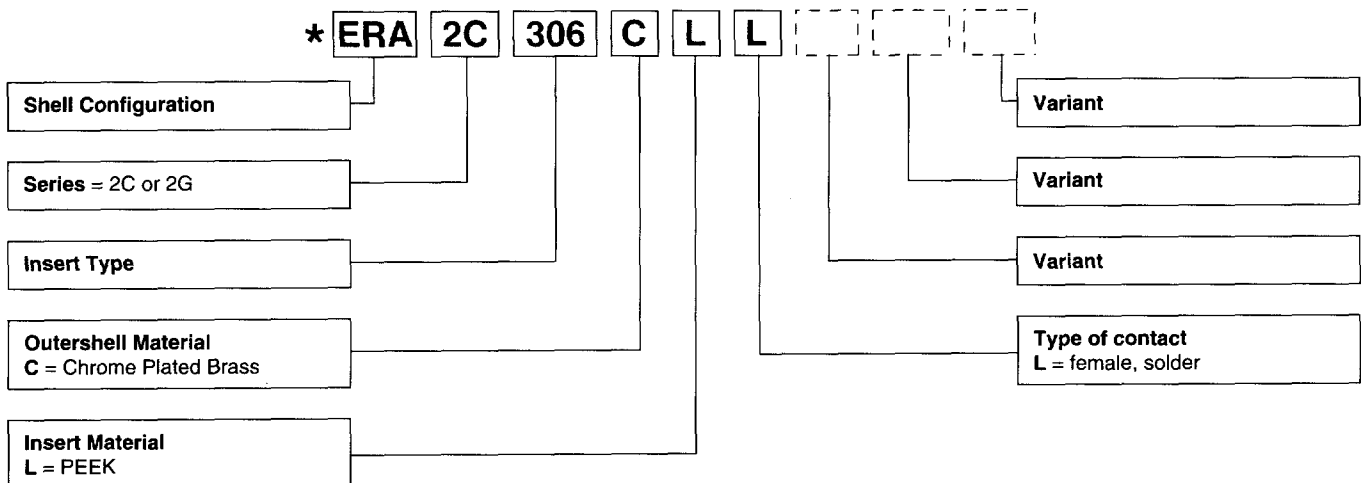
Cable Strain Reliefs are available for these connectors. Please refer to page 101.

PLUG



*FFA.2C.306.CLAC27 Straight Plug with cable collet, 2C series, multicontact (6 contacts), chrome plated brass shell, PEEK insert, male solder contacts, type C collet for a screened cable of 2.7mm Ø max.

RECEPTACLE



*ERA.2C.306.CLL Fixed receptacle, 2C series, multicontact, chrome plated brass shell, PEEK insert, female solder contacts.

2C Series and 2G Series continued

Technical characteristics

Material and treatment

Component	Material (Standard)	Surface treatment			
		Cu	Ni	Cr	Au
Outer shell and collet nut	Brass (UNS C 385)	0.5	3	0.3	
Inner latch sleeve	Special brass	0.5	3		
Tapered washer	Bronze (UNS C 521)	0.5	3		
Male sleeve for coaxial type	Brass (UNS C 385)	0.5	3		1.5
Female sleeve for coaxial type	Bronze (UNS C 544)	0.5	3		1.5
Other metallic parts	Brass (UNS C 385)	0.5	3		
Insert	PTFE (ASTM D 1457-83) ¹⁾				
	PBT				
	PEEK (MIL-P-46183)				
Male contact	Brass (UNS C 385)	0.5	3		1.5
Female contact	Bronze (UNS C 544)	0.5	3		2.0

The surface treatment standards are as follows:

- Nickel FS-QQ-N-290A or MIL-C-26074C, grade C
- Chrome FS-QQ-C-320B
- Gold MIL-G-45204C type I, class 1

1) For coaxial type only

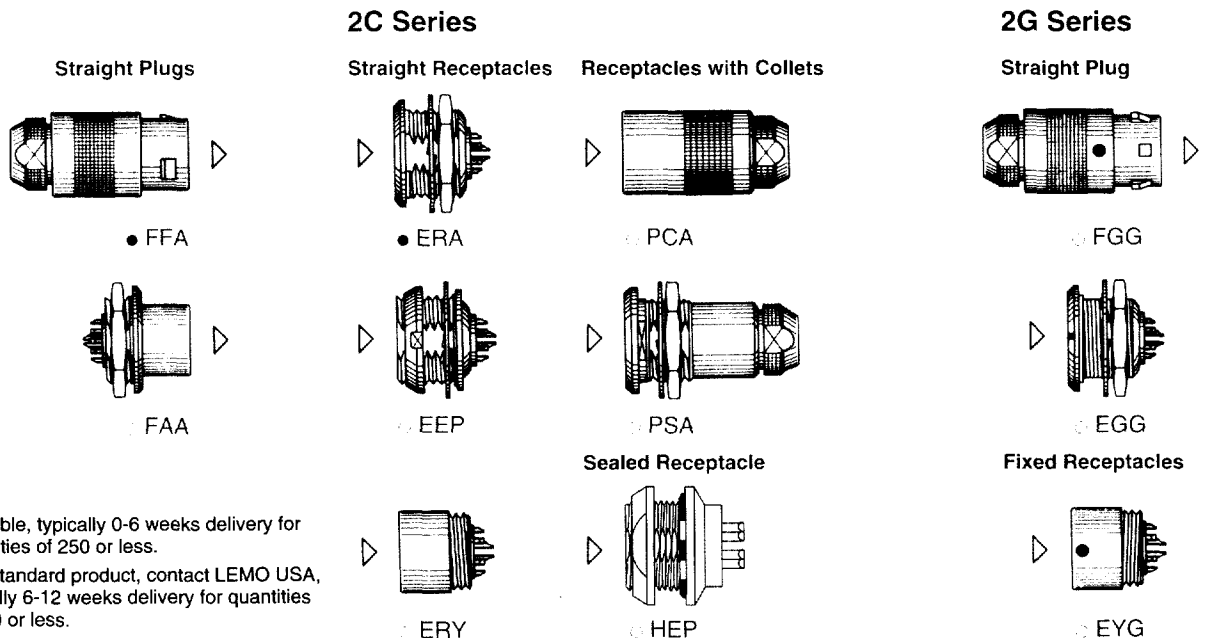
Mechanical

Reference	Value	Standard	Method
Contact retention force	>500 N	MIL-STD-1344A	2009.1
Endurance	>500 cycles	MIL-STD-1344A	2016

Electrical

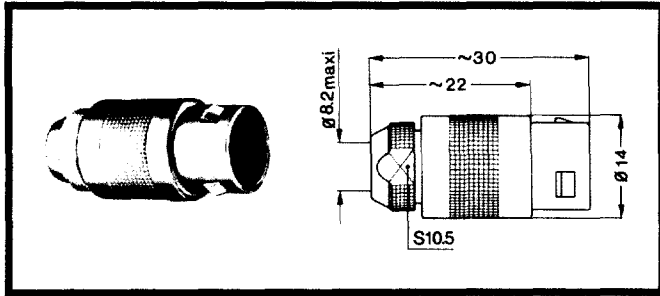
Reference	Value	Standard	Method
Insulating resistance contact/contact	>10 ¹² Ω	MIL-STD-1344A	3003.1
Insulating resistance	>10 ¹² Ω	MIL-STD-1344A	3003.1

Shell Configurations

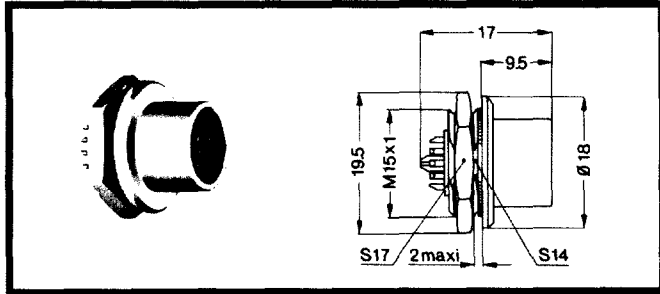


- Available, typically 0-6 weeks delivery for quantities of 250 or less.
- Non-standard product, contact LEMO USA, typically 6-12 weeks delivery for quantities of 250 or less.

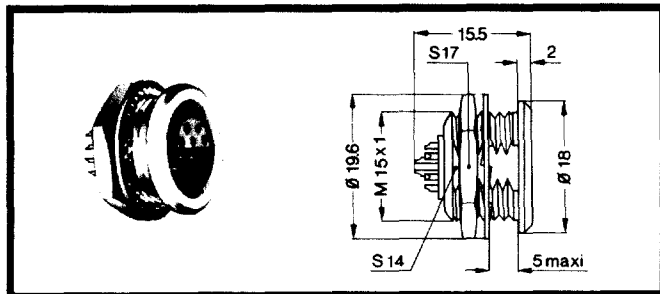
2C Series—Shells continued



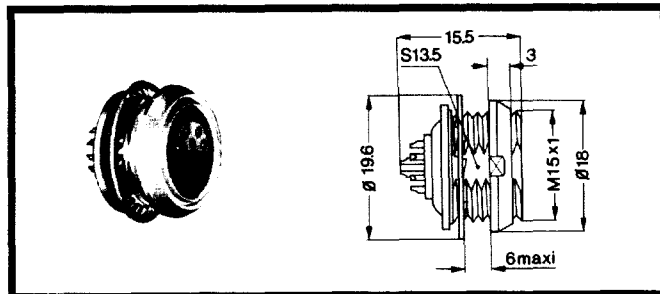
FFA
Straight Plug with Cable Collet



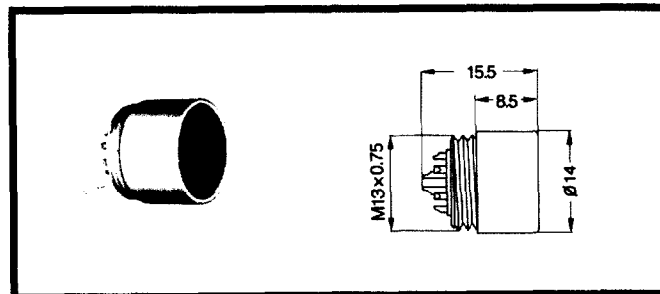
FAA
Straight Plug, Non-latching, Nut Fixing



ERA
Fixed Receptacle, Nut Fixing



EEP
Fixed Receptacle, Nut Fixing
(back panel mounting)



ERY
Fixed Receptacle, Threaded with
Visible Shell
(to be threaded into panel)

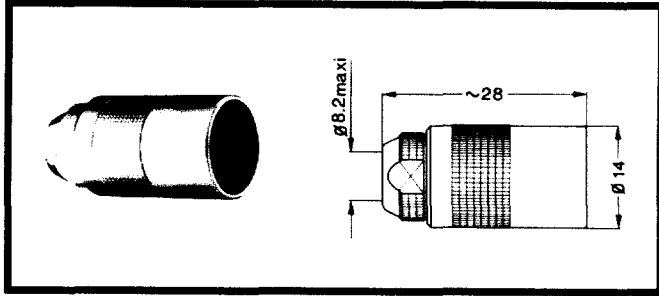
Note: Dimensions are in millimeters.

Data subject to change.

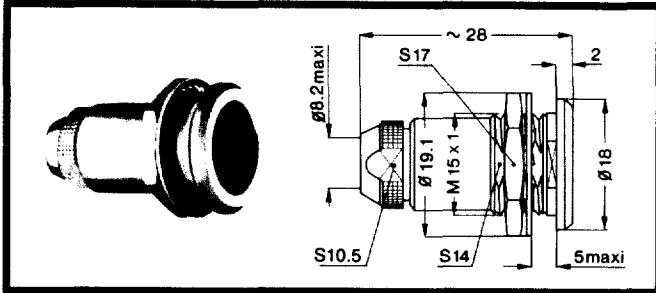


phone (800) 444-5366, (707) 578-8811 • fax (707) 578-0869 • e-mail lemous@lemo.ch • website <http://www.lemo.ch>

2C Series—Shells/Inserts/Collets continued



PCA
Free Receptacle with Cable Collet



PSA
Fixed Receptacle Nut Fixing with Cable Collet

Note: Dimensions are in millimeters.

Inserts

Series	Insert Part Number	Impedance Ω	Number of contacts \varnothing	Contact \varnothing	Wire Sizes Maximum		Operating Voltage		Rated Current (Amps)	Availability
				(mm)	AWG	(mm)	AC	DC		
2C	250	50	1	1.3	20	1.0	700	—	10	○
	302	—	2	1.6	18	1.4	600	800	20	○
	303	—	3	1.3	20	1.0	500	700	15	○
	304	—	4	1.3	20	1.0	600	800	15	○
	306	—	6	1.3	20	1.0	500	700	12	●
	308	—	8	0.7	26	0.6	300	450	7	○
	310	—	10	0.7	26	0.6	300	450	7	○
	312	—	12	0.7	26	0.6	200	300	5	●
	314	—	14	0.7	26	0.6	200	300	5	●

- Available, typically 0-6 weeks delivery for quantities of 250 or less.
- Non-standard product, contact LEMO USA, typically 6-12 weeks delivery for quantities of 250 or less.

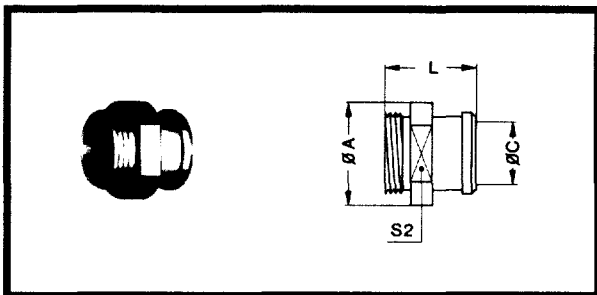
Collets

Part Number		Series	Cable \varnothing Collet	
Type	Size		max.	min.
C	27	2C	2.6	1.7
C	32		3.1	2.5
C	37		3.6	3.0
C	42		4.1	3.5
C	47		4.6	4.0
C	52		5.1	4.5
C	57		5.6	5.0
C	62		6.1	5.5
C	67		6.6	6.0
C	72		7.1	6.5
C	75	7.4	7.0	
C	80	8.1	7.5	

Note:

The C type collets accommodates shielded or unshielded cables. On request the L type allowing only to clamp unshielded cable is available with the same diameter as the one of the C type.

Accessories



Collet nut for affixing a strain relief

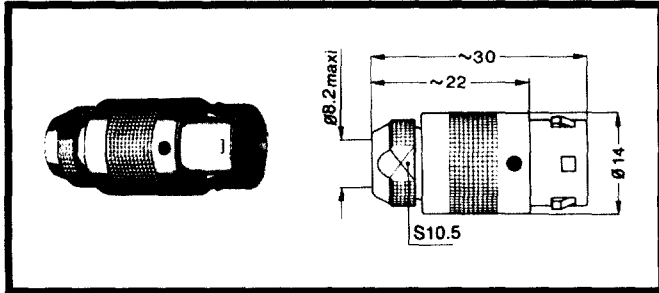
Part Number	Weight (g)	A	C	L	S2
FFM.2C.130.LC	4.1	14	8	12.2	12

For available strain relief refer to the Accessories section, page 101.

Data subject to change.

2G Series—Short Type with Keyway

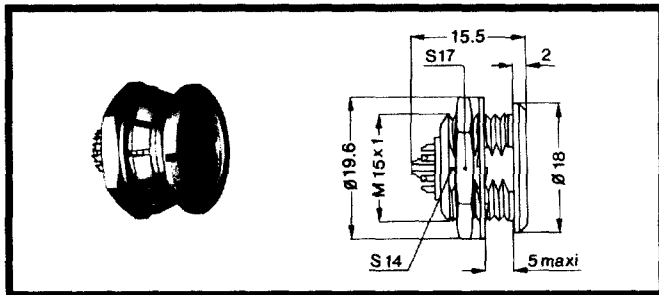
Unlike the 2C Series, the 2G series has a mechanical keyway. It does, however, have the same outershell dimensions as the 2C series and is only available with a multicontact insert with 18 contacts.



FGG

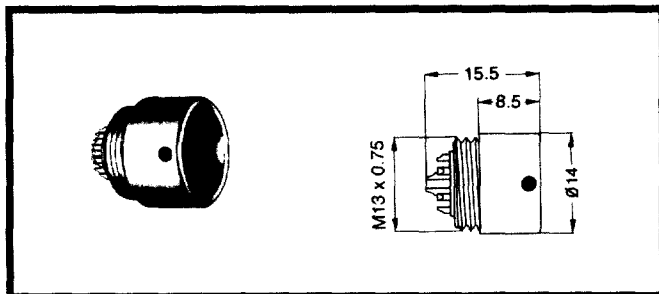
Straight Plug with Key (G) Cable Collet

The FGG model can be fitted with a collet nut for cable strain relief. If needed add a "Z" in the "Variant" position of the part number and order the strain relief separately as explained in the Accessories section.



EGG

Fixed Receptacle Nut Fixing with Key (G)



EYG

Fixed Receptacle, Threaded with Key (G) to be screwed onto panel

Dimensions are in millimeters.

Inserts

Series	Insert Part Number	Number of Contacts	Wire Sizes		Contact \varnothing (mm)	Operating Voltage		Rated Current (Amps)
			AWG	(mm)		AC	DC	
2G	318	18	26	0.6	0.7	460	660	5.5

Collets

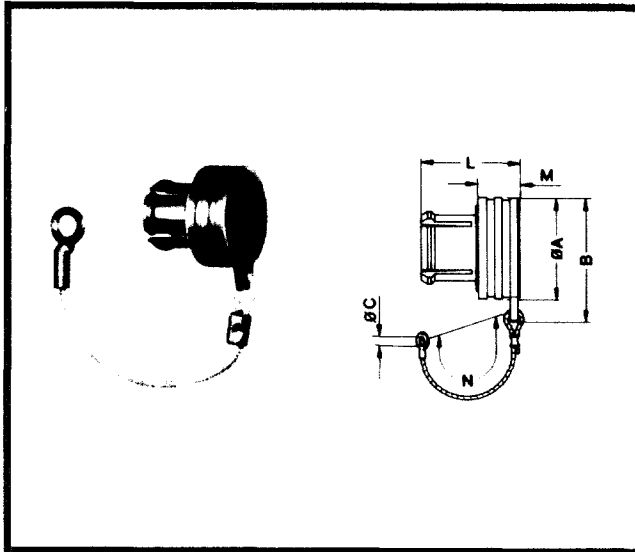
Part Number		Series	Cable \varnothing (mm)	
Type	\varnothing		max.	min.
D	52	2G	5.1	4.5
D	62		6.1	5.5
D	72		7.1	6.5
D	80		7.9	7.5

Data subject to change.



phone (800) 444-5366, (707) 578-8811 • fax (707) 578-0869 • e-mail lemous@lemo.ch • website <http://www.lemo.ch>

Accessories



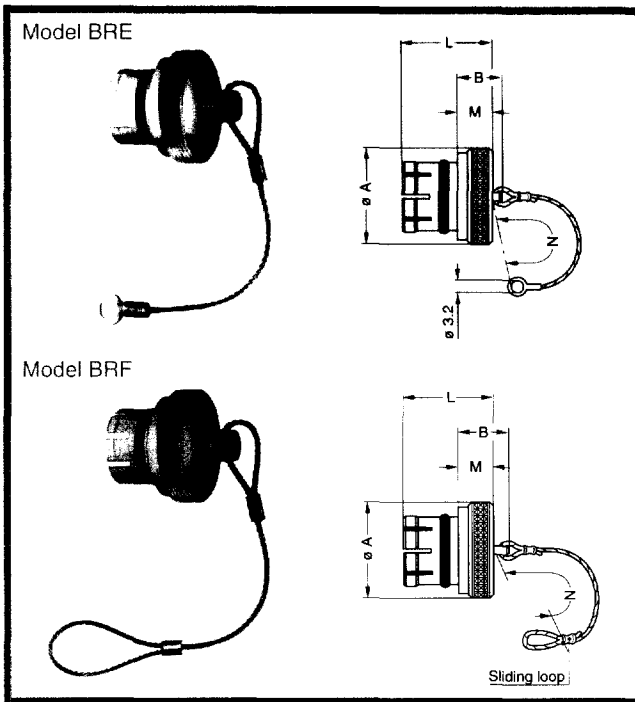
BRA

Plastic Receptacle Cap for S & B Series

Part Number	Series	Dimensions (mm)					
		A	B	C	L	M	N
BRA.00.200.PCSG	00	7.5	9.7	3.2	9.0	3.5	60
BRA.0B.200.PCSG	0S-0B	10	12.5	3.2	11.0	4.8	60
BRA.1B.200.PCSG	1S-1B	14	17.0	3.2	13.5	5.6	60
BRA.2B.200.PCSG	2S-2B 2C-2G	18	21.0	3.2	14.5	6.0	60
BRA.3B.200.PCSG	3S-3B	22	25.5	3.2	17.0	7.0	60

- Outershell Material: Gray Ultraform
- Material of the Lanyard: Polyamide 6, white
- Material of the O-ring: Silicone
- Maximum temperature: 100 degrees C (212°F)
- Sealing Capability is in accordance with IP61, IEC529.

On request, this cap can be provided in black. In this case, the letter N would replace the letter G as the final designation in the part number



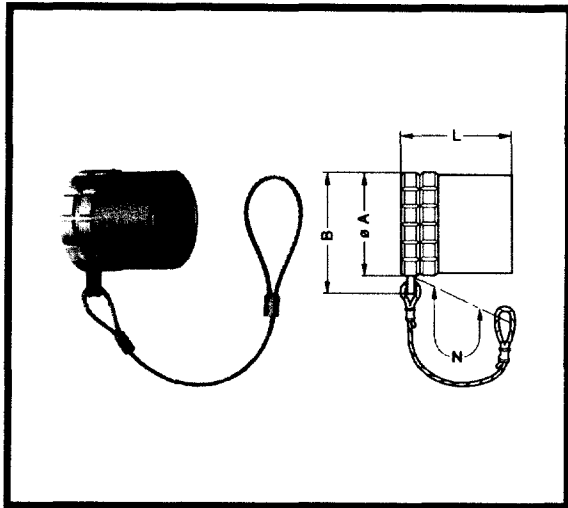
BRE / BRF*

Blanking Caps for Fixed and Free Receptacles

Part Number	Series	Dimensions (mm)				
		A	B	L	M	N
BRE.00.200.NAS	00	8	9.5	8.8	3.5	60
BRE.0S.200.NAS	0S-0B	10	10.5	10.5	4.5	85
BRE.1S.200.NAS	1S-1B	14	11.0	12.5	5.0	85
BRE.2S.200.NAS	2S-2B	18	12.0	14.0	6.0	85
BRE.2G.200.NAS	2C-2G	18	12.0	10.6	6.0	85
BRE.3S.200.NAS	3S-3B	22	14.0	18.0	8.0	120
BRE.4S.200.NAS	4S-4B	28	20.0	23.0	10.0	120
BRE.5S.200.NAS	5S-5B	40	20.0	30.5	12.0	150
BRE.6S.200.NAS	6S	54	22.0	30.0	12.0	150

- Body material: Brass (ATSM C 385), nickel-plated (Ni 3 µm)
- Cable material: Stainless steel
- O-ring material: Silicone rubber or FPM (Viton)
- Maximum operating temperature: 250°C
- Water tightness to IP61 according to IEC 529

*To order Model BRF (with sliding loop attachment) please replace part number prefix "BRE" with "BRF."



BFA/BFG

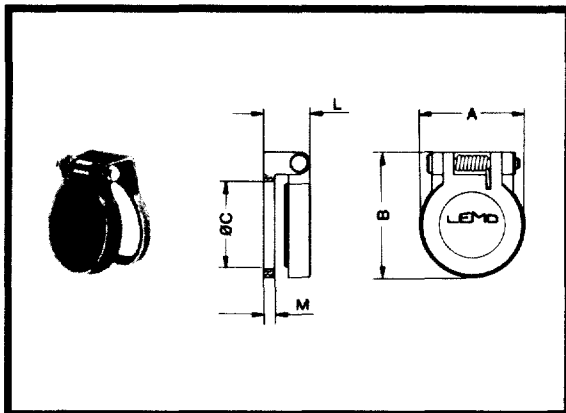
Metal Plug Cap for S Series & B Series

Part Number	Series	Dimensions (mm)			
		A	B	L	N
BFG.1B.100.LAZL	1B	13.0	17.5	15.2	60
BFG.2B.100.LAZL	2B	16.5	21.0	16.2	60
BFG.4B.100.NAS	4B	25.0	30.0	20.0	120
BFA.4S.100.NAS	4S	25.0	30.0	22.0	120
BFG.5B.100.NAS	5B	36.0	41.0	27.0	150
BFA.5S.100.NAS	5S	36.0	41.0	30.0	150
BFA.6S.100.PES ¹⁾	6S	46.0	51.0	33.0	150

- Shell Material (1B, 2B): Aluminum (AA 2024)
- Shell Material (4B, 4S, 5B, 5S, 6S): Brass (UNS C 385) Nickel plate (3µm)
- Lanyard Material: Stainless Steel
- O-Ring Material: Silicone or FPM (Viton)
- Maximum temperature: 100°C (212°F) for 6S models.
- Environmental Seal: IP66, IEC 529 for models ending in "S"

1) The shell of this model is black ultraform. The chain attaches to the center of the plug.

The last letter of the part number above indicates the O-ring material which is standard silicone. For a FPM (Viton) O-ring, please substitute the letter S for V.



BRR*

Spring Dust Caps for S Series & B Series Receptacles

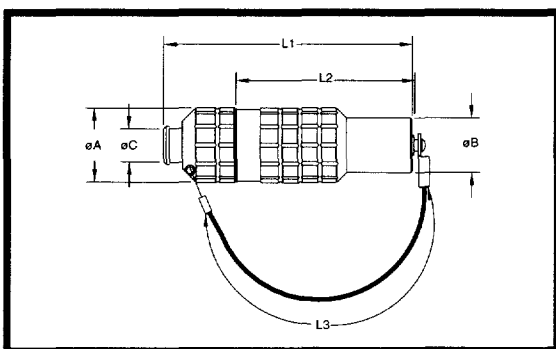
Part Number	Series	Dimensions (mm)				
		A	B	C	L	M
BRR.0S.200.PZSG	0S-0B	11.0	13.3	9.0	5.0	1.2
BRR.1S.200.PZSG	1S-1B	14.2	17.1	12.0	6.3	1.5
BRR.2S.200.PZSG	2S-2B 2C-2G	18.5	22.4	15.2	8.2	2.0
BRR.3S.200.PZSG	3S-3B	22.5	26.5	18.2	8.8	2.5

Dust caps are made of Ultraform N2320 and are gray.

O-ring is made of Nitrile.

Operating temperatures -40°C + 100°C (-40°F + 212°F)

* These caps are not available for rear mounting receptacles in B Series models ECG and EEG and S Series model ERD or any models beginning with H**.

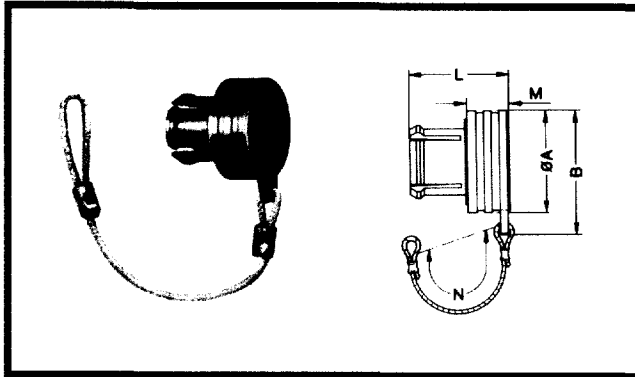


BFX

Protective Cap for B Series Connectors

Part Number	Series	Dimensions (mm)					
		ØA	ØB	ØC Max.	-L1	-L2	-L3
BFX.1B.100.KDZ	1B	Feasible - Contact LEMO USA					
BFX.2B.100.KDZ	2B	22	16	8.9	77	57	165
BFX.3B.100.KDZ	3B	25	19	11.0	83	60	165

Accessories continued



BRD

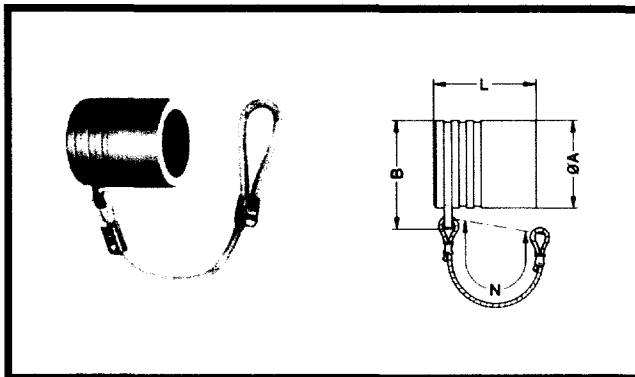
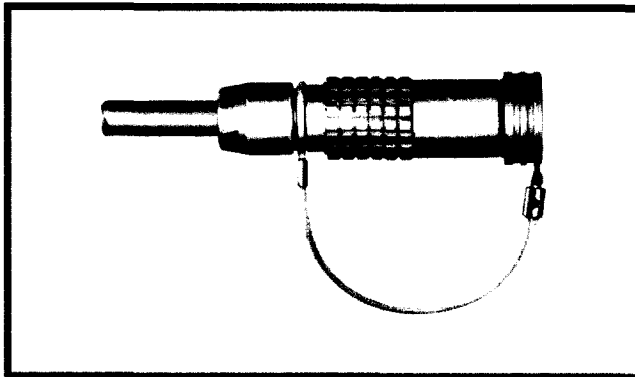
Receptacle Cover for S & B Series

Part Number	Series	Dimensions (mm)				
		A	B	L	M	N
BRD.00.200.PCSG	00	7.5	9.7	9.0	3.5	60
BRD.0B.200.PCSG	0S-0B	10	12.5	11.0	4.8	60
BRD.1B.200.PCSG	1S-1B	14	17.0	13.5	5.6	62
BRD.2B.200.PCSG	2S-2B	18	21.0	14.5	6.0	75
BRD.3B.200.PCSG	3S-3B	22	25.5	17.0	7.0	95

- Outershell Material: Gray Ultraform
- Material of the Lanyard: Polyamide 6, white
- Material of the O-ring: Silicone
- Maximum temperature: 100 degrees C (212°F)
- Sealing Capability is in accordance with IP61, IEC 529.

On request, this cap can be provided in black. In this case, the letter N would replace the letter G as the final designation in the part number above.

Application Example



BFG

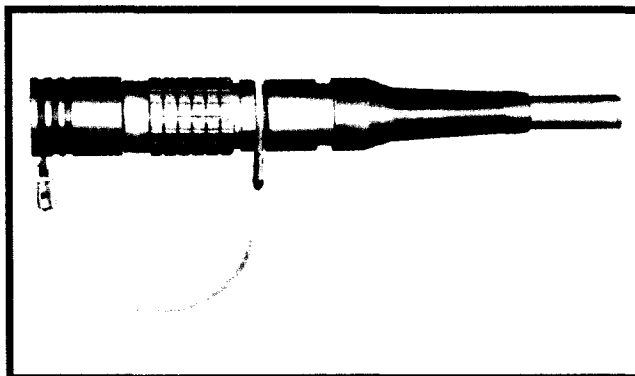
Plug Cap for S & B Series

Part Number	Series	Dimensions (mm)			
		A	B	L	N
BFG.00.100.PCSG	00	7.5	10	10.0	60
BFG.0B.100.PCSG	0S-0B	9.5	12	12.2	60
BFG.1B.100.PCSG	1S-1B	12.0	15	13.8	60
BFG.2B.100.PCSG	2S-2B	15.0	18	15.0	75
BFG.3B.100.PCSG	3S-3B	18.5	22	18.5	95

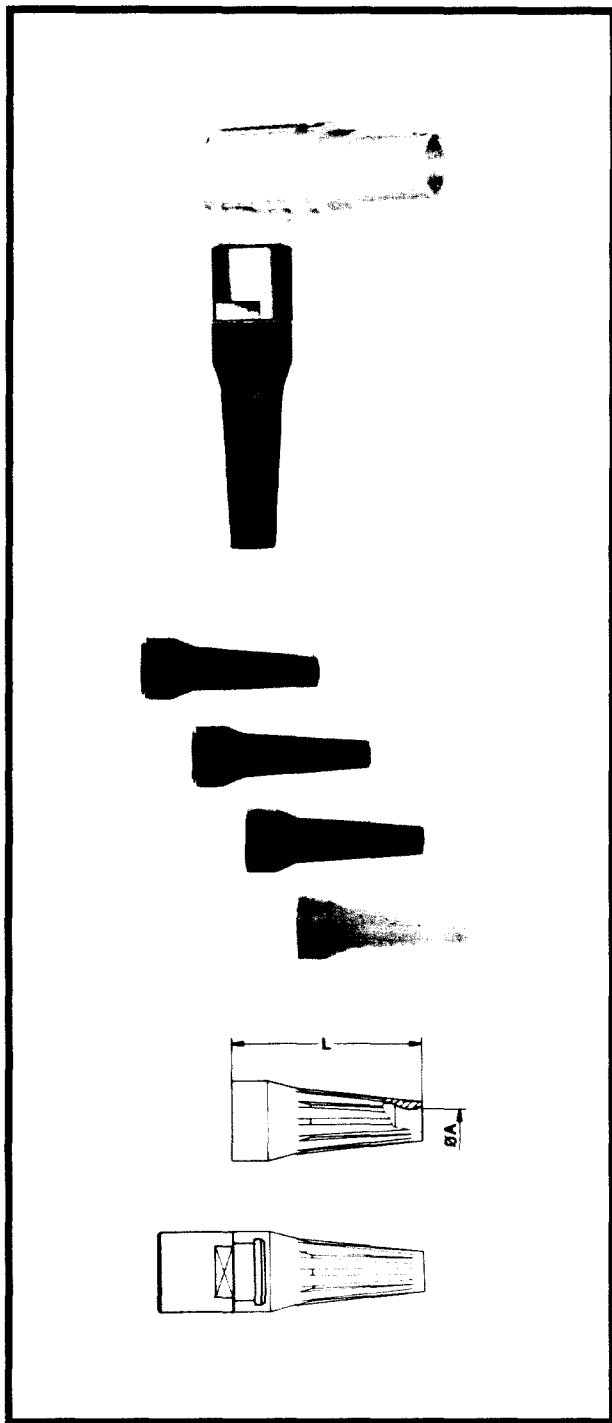
- Outershell Material: Gray Ultraform
- Material of the Lanyard: Polyamide 6, white
- Material of the O-ring: Silicone
- Maximum temperature: 100 degrees C (212°F)
- Sealing Capability is in accordance with IP61, IEC 529.

On request, this cap can be provided in black. In this case, the letter N would replace the letter G as the final designation in the part number above.

Application Example



Accessories continued



GMA/GMB

Cable Strain Reliefs for S, B & C Series Connectors

When ordering separately please specify Collet and Strain Relief numbers.

**Part Number	*Color	Series	Suitable Collet Nut (when ordered separately)	Dimensions (mm)		
				A*	L	
GMB.00.018.D	<input type="checkbox"/>	00B & 00S	FFM.00.131.LC	1.8 to 2.1	22.0	
GMB.00.025.D	<input type="checkbox"/>			2.5 to 2.8	22.0	
GMB.00.028.D	<input type="checkbox"/>		FFM.00.130.LC	2.8 to 3.2	22.0	
GMB.00.032.D	<input type="checkbox"/>			3.2 to 3.5	22.0	
GMA.0B.025.D	<input type="checkbox"/>	0S & 0B	FFM.0S.130.LC	2.5 to 2.9	24.0	
GMA.0B.030.D	<input type="checkbox"/>			3.0 to 3.4	24.0	
GMA.0B.035.D	<input type="checkbox"/>		FFM.0B.130.LC	3.5 to 4.0	24.0	
GMA.0B.040.D	<input type="checkbox"/>			4.0 to 4.4	24.0	
GMA.0B.045.D	<input type="checkbox"/>			4.5 to 5.0	24.0	
GMA.1B.025.D	<input type="checkbox"/>	1S & 1B	FFM.1S.130.LC	2.5 to 2.9	30.0	
GMA.1B.030.D	<input type="checkbox"/>			3.0 to 3.4	30.0	
GMA.1B.035.D	<input type="checkbox"/>			FFM.1B.130.LC	3.5 to 3.9	30.0
GMA.1B.040.D	<input type="checkbox"/>				4.0 to 4.4	30.0
GMA.1B.045.D	<input type="checkbox"/>		4.5 to 4.9	30.0		
GMA.1B.054.D	<input type="checkbox"/>		5.4 to 6.0	30.0		
GMA.1B.065.D	<input type="checkbox"/>		6.5 to 7.0	30.0		
GMA.2B.040.D	<input type="checkbox"/>		2S, 2B, or 2C	FFM.2S.130.LC	4.0 to 4.5	36.0
GMA.2B.045.D	<input type="checkbox"/>	4.0 to 5.0			36.0	
GMA.2B.050.D	<input type="checkbox"/>	FFM.2B.130.LC		5.0 to 5.5	36.0	
GMA.2B.060.D	<input type="checkbox"/>			6.0 to 6.5	36.0	
GMA.2B.070.D	<input type="checkbox"/>	FFM.2C.130.LC		7.0 to 8.0	36.0	
GMA.2B.080.D	<input type="checkbox"/>			8.0 to 9.0	36.0	
GMA.3B.050.D	<input type="checkbox"/>	3S & 3B	FFM.3S.130.LC	4.5 to 5.2	42.0	
GMA.3B.070.D	<input type="checkbox"/>			7.0 to 7.9	42.0	
GMA.3B.080.D	<input type="checkbox"/>		FFM.3B.130.LC	8.0 to 8.9	42.0	
GMA.3B.090.D	<input type="checkbox"/>			9.0 to 10.0	42.0	
GMA.4B.080.D	<input type="checkbox"/>	4S & 4B	FFM.4S.130.LC	8.0 to 9.0	60.0	
GMA.4B.010.D	<input type="checkbox"/>			10.0 to 10.9	60.0	
GMA.4B.011.D	<input type="checkbox"/>		FFM.4B.130.LC	11.0 to 11.9	60.0	
GMA.4B.012.D	<input type="checkbox"/>			12.0 to 13.0	60.0	
GMA.4B.013.D	<input type="checkbox"/>			13.5 to 14.5	60.0	

*Dimension A references cable diameters which can be accommodated.

*Add color code to part number—see chart at right. Strain reliefs are made of Desmopan 786. Working temperatures $-40^{\circ}\text{C} + 80^{\circ}\text{C}$ ($-104^{\circ}\text{F} + 176^{\circ}\text{F}$)

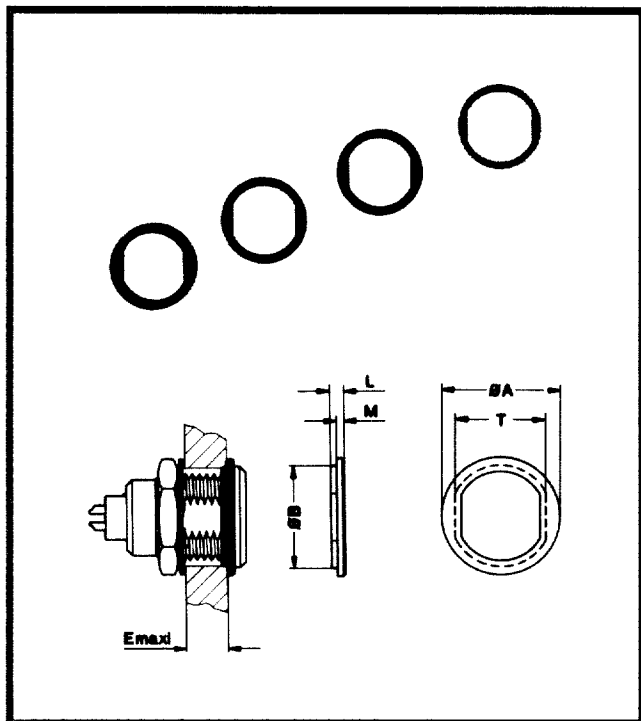
**GMA.00.018.DG-00 Series strain relief for cable OD of 1.8 mm for 00 crimp ferrules.

LEMO Strain Reliefs also come in Silicone which can withstand temperatures from -60°C to 250°C (-76°F to 392°F). Contact LEMO for currently available sizes and colors.

Color code	Color
A	Blue
B	White
G	Gray
J	Yellow
M	Brown
N	Black
R	Red
S	Orange
V	Green

Data subject to change.





GRA

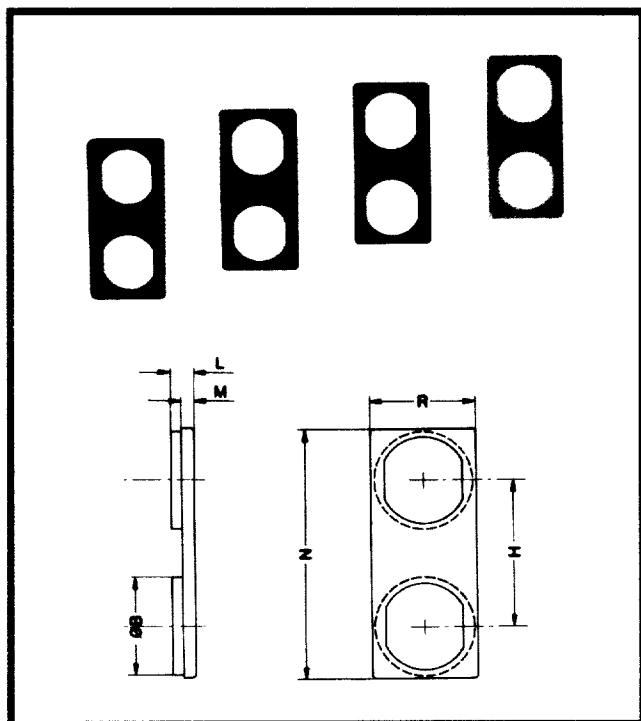
Insulating Washers for S & B Series Connectors

Fixed receptacles can be fitted with insulating washers. These can be used together with colored strain reliefs on mating plugs for coding purpose or in pairs for insulating purpose.

**Part Number	*Color	Series	Dimensions (mm)					
			A	B	E	L	M	T
GRA.00.269G	<input type="checkbox"/>	00	10.0	8.8	4.5	1.8	1.0	6.4
GRA.0S.269G	<input type="checkbox"/>	0S-0B	12.0	10.8	6.0	1.8	1.0	9.9
GRA.1S.269G	<input type="checkbox"/>	1S-1B	16.0	13.8	6.5	1.8	1.0	12.3
GRA.2S.269G	<input type="checkbox"/>	2S-2B 2C-2G	21.0	17.9	7.3	2.2	1.2	16.4
GRA.3S.269G	<input type="checkbox"/>	3S-3B	25.0	21.8	10.3	2.2	1.2	20.2
GRA.4S.269G	<input type="checkbox"/>	4S-4B	32.0	28.8	10.5	2.5	1.5	27.2
GRA.5S.269G	<input type="checkbox"/>	5S-5B	44.0	39.0	14.0	2.5	1.5	37.4

*Add color code to part number – see bottom of page.
 Insulating washers are made of Grilon A28GM.
 Operating temperatures $-40^{\circ}\text{C} + 90^{\circ}\text{C}$ ($-104^{\circ}\text{F} + 194^{\circ}\text{F}$).

**GRA.00.269GA-00 Series insulating washer in the color blue.



GRC

Double Panel Washers for S & B Series Connectors

Double panel washers facilitate drilling of panel holes when mounting two fixed receptacles.

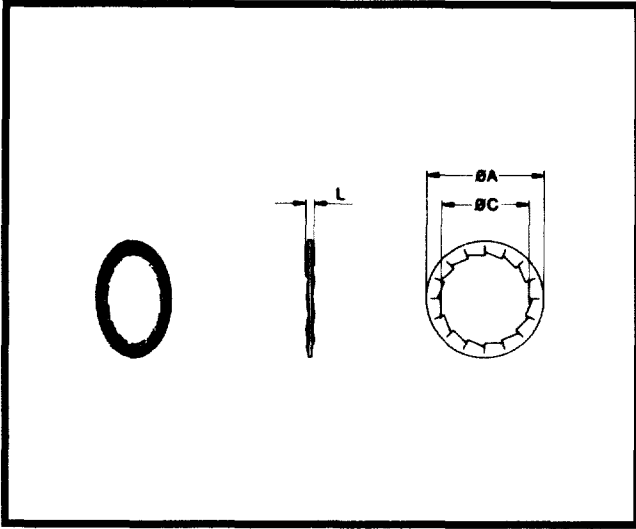
**Part Number	*Color	Series	Dimensions (mm)					
			B	H	L	M	N	R
GRC.0S.260H	<input type="checkbox"/>	0S-0B	10.9	14.0	2.5	1.5	26.5	12.5
GRC.1S.260H	<input type="checkbox"/>	1S-1B	13.9	20.0	3.3	1.8	34.5	14.5

*Add color code to part number — see below.
 Insulating washers are made of Grilon TV-35.
 Operating temperatures 100°C (212°F).

**GRC.0S.260HA-0S Series double panel washer in the color blue.

Color code	Color
A	Blue
B	White
G	Gray
J	Yellow
M	Brown
N	Black
R	Red
S	Orange
V	Green

Accessories continued



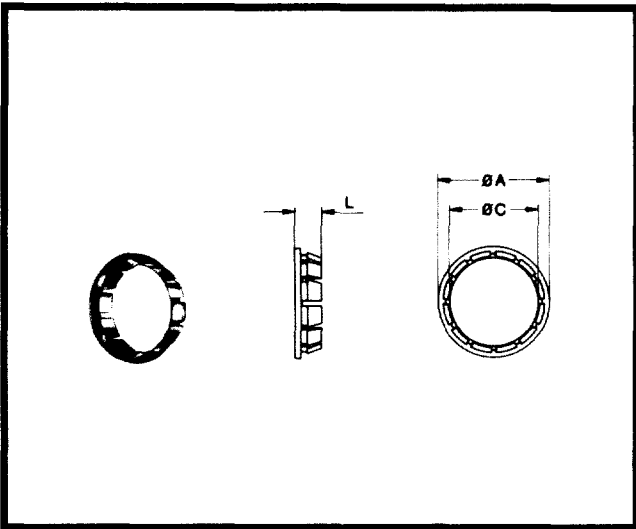
GBA (Standard)

Locking Washers for S, B & C Series Connectors

Locking washers are normally included with all S, B & C Series Receptacles up to size 4.

Part Number	Series	Dimensions (mm)		
		A	C	L
GBA.00.250.FN	00	9.5	7.1	1.0
GBA.0S.250.FN	0S-0B	12.5	9.1	1.0
GBA.1S.250.FN	1S-1B	16.0	12.1	1.0
GBA.2S.250.FN	2S-2B 2C-2G	19.5	15.1	1.2
GBA.3S.250.FN	3S-3B	25.0	18.1	1.4
GBA.4S.250.FN	4S-4B	32.0	25.1	1.4

Material: Bronze (UNS C521)
Nickel plate (3µm)

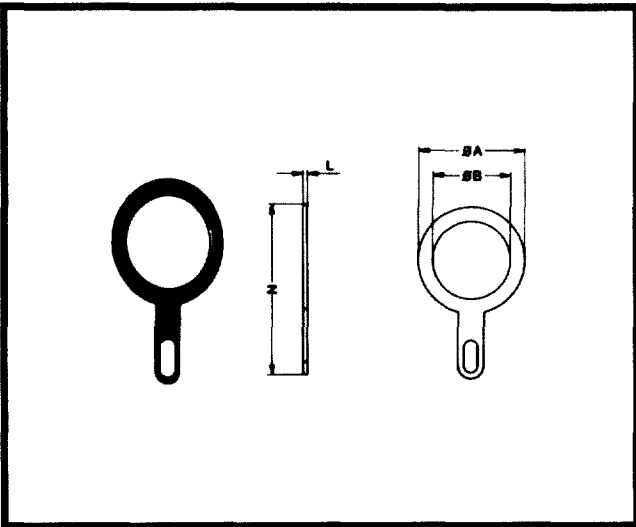


GBB (Special order only)

Tapered Locking Washers for S, B & C Series Connectors

Part Number	Series	Dimensions (mm)		
		A	C	L
GBB.00.250.LN	00	9.0	7.1	2.0
GBB.0S.250.LN	0S-0B	11.0	9.1	2.5
GBB.1S.250.LN	1S-1B	15.0	12.1	3.5
GBB.2S.250.LN	2S-2B 2C-2G	18.0	15.1	4.0
GBB.3S.250.LN	3S-3B	22.0	18.1	4.5
GBB.4S.250.LN	4S-4B	28.0	25.2	5.0
GBB.5S.250.LN	5S-5B	40.0	35.2	7.5

Material: Bronze (UNS C521)
Nickel plate (3µm)



GCA

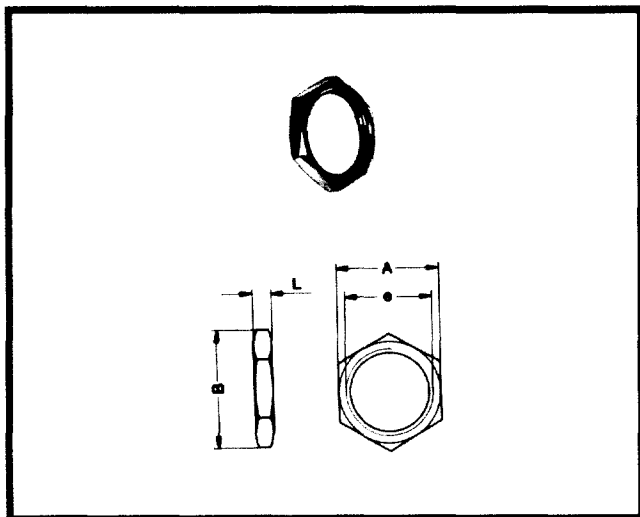
Ground Lugs for S & B Series Connectors

Part Number	Series	Dimensions (mm)			
		A	B	L	N
GCA.00.255.LT	00	9.5	7.1	0.4	18.2
GCA.0S.255.LT	0S-0B	13.0	9.1	0.4	22.0
GCA.1S.255.LT	1S-1B	17.0	12.2	0.5	27.5
GCA.2S.255.LT	2S-2B	20.0	15.2	0.5	32.0
GCA.3S.255.LT	3S-3B	25.0	18.2	0.5	39.0
GCA.4S.255.LT	4S-4B	35.0	25.6	0.6	50.0
GCA.5S.255.LT	5S-5B	42.0	35.1	0.7	57.5

Material: Brass (UNC C274)
Nickel plate (3µm)

Data subject to change.



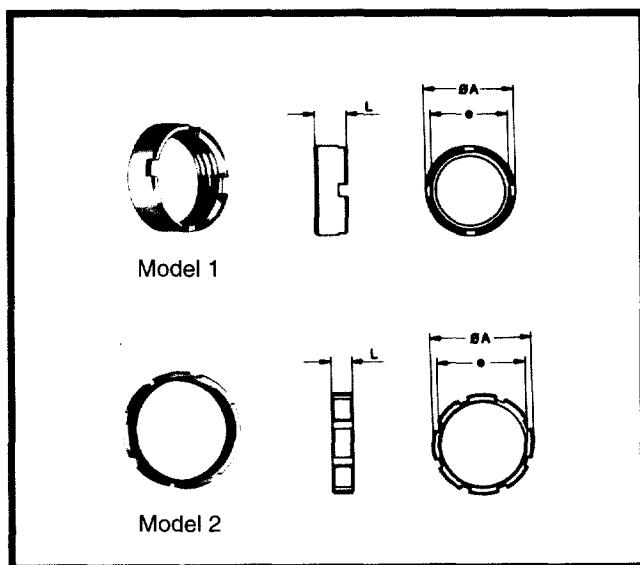


GEA (Standard)

Hexagonal Nuts for S, B & C Series Connectors

Part Number	Series	Dimensions (mm)			
		A	B	e	L
GEA.00.240.LN	00	9.0	10.3	M7x0.5	2.0
GEA.0S.240.LN	0S-0B	11.0	12.5	M9x0.6	2.0
GEA.0S.241.LN	0S-0B	12.0	13.8	M10x.075	2.5
GEA.1S.240.LN	1S-1B	14.0	16.0	M12x1.0	2.5
GEA.2S.240.LN	2S-2E	17.0	19.5	M15x1.0	2.7
	2B				
	2C-2G				
GEA.3S.240.LN	3S-3B	22.0	25.2	M18x1.0	3.0
GEA.4S.240.LN	4S-4B	30.0	32.0	M25x1.0	5.0

Nuts are supplied with all receptacles except sizes 5 and 6.
Nuts, models GEB, see below, are supplied with sizes 5 and 6.
Material: Brass (UNS C385)
Nickel plate (3µm)



GEB

Round Nuts for S, B & C Series Connectors

Part Number	Series	Model	Dimensions (mm)		
			A	e	L
GEB.00.240.LN	00	1	9.0	M7x0.5	4.0
GEB.0S.240.LN	0S-0B	1	11.0	M9x0.6	4.0
GEB.0E.240.LN	1S-1B	1	18.0	M14x1.0	5.0
GEB.1S.240.LN	0S	1	14.0	M12x1.0	5.0
	1S-1B				
GEB.1E.240.LN	2S-2B	1	20.0	M16x1.0	5.0
GEB.2S.240.LN	2S-2B	1	18.0	M15x1.0	5.5
	2C-2G				
GEB.2B.240.LN	2B	1	17.5	M15x0.75	2.5
GEB.3S.240.LN	3S-3B	1	22.0	M18x1.0	5.5
GEB.4S.240.LN	4S-4B	1	28.0	M25x1.0	6.0
GEB.5S.240.LN*	5S-5B	2	40.0	M35x1.0	8.0
GEB.6S.241.LN*	6S	2	54.0	M48x1.5	8.0

Material: Brass (UNS C385) Nickel plate (3µm)
*Supplied with connectors

GEC

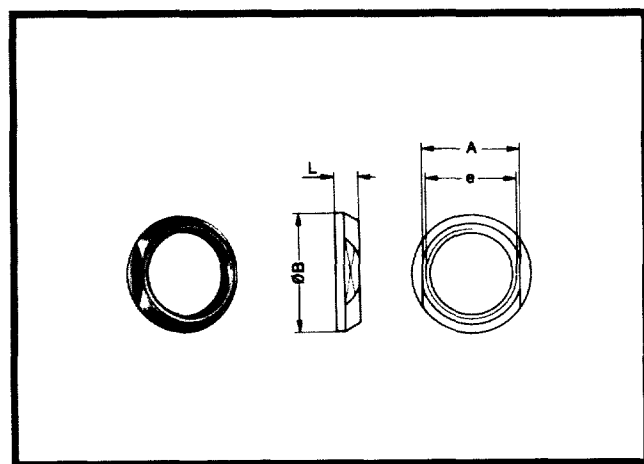
Front Panel Nut

Part Number	Series	Dimensions (mm)			
		A	B	e	L
GEC.0S.240.LC	0S-0B	10	12	M9x0.6	2.5
GEC.1S.240.LC	1S-1B	13	16	M12x1.0	3.2
GEC.1S.241.LC*	1B	17	20	M16x1.0	4.0
GEC.2S.240.LC	2S-2B	17	20	M15x1.0	3.8
	2C-2G				
GEC.3S.240.LC	3S-3B	20	24	M18x1.0	4.5

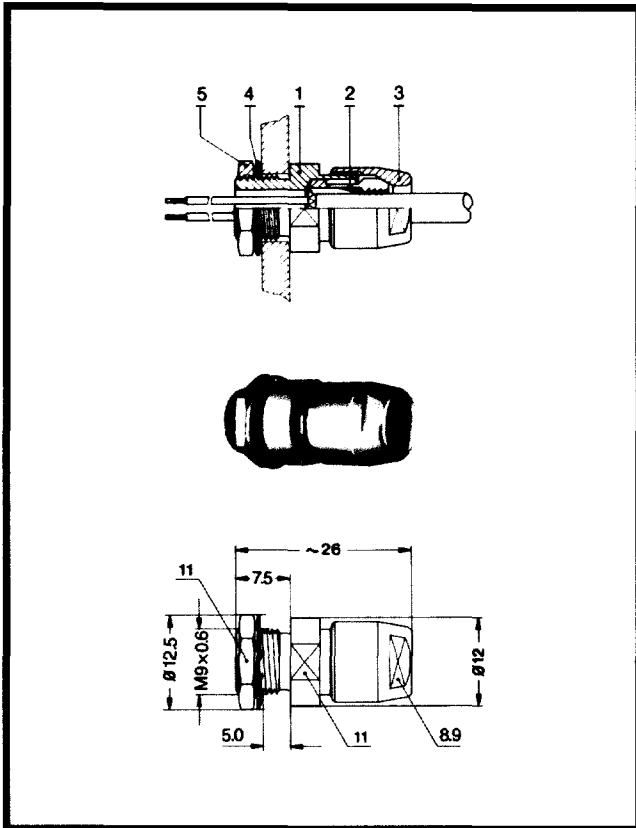
Material: Brass (ASTM C 385)
Chrome plate (Ni 3µm + Cr. 0.3µm)

The model ERD of Series S which can be used on shell ECP of the 2C Series are provided with the conical front nut shown above. To order this front nut separately, please use the references in the accompanying table.

*Call LEMO for more information.



Accessories continued



GSC

Cable Feedthrough with Strain Relief Collet

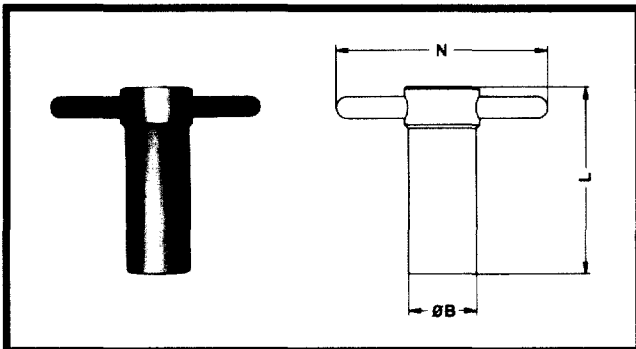
Component	Material	Surface Treatment (μm)	
		Cu	Ni
1 Outershell	Brass (UNS C 385)	0.5	3
2 Collet	Brass (UNS C 385)	0.5	3
3 Backnut	Brass (UNS C 385)	0.5	3
4 O-Ring	Brass (UNS C 385)	0.5	3
5 Hex Nut	Brass (UNS C 385)	0.5	3

Plating standards which these meet or exceed.

- Nickel FS-QQ-N-290A

Part Number	\varnothing cable (mm)	
	max.	min.
GSC.1S.290.ND52	5.2	4.1
GSC.1S.290.ND62	6.2	5.1
GSC.1S.290.ND72	7.2	6.1
GSC.1S.290.ND76	7.6	7.1

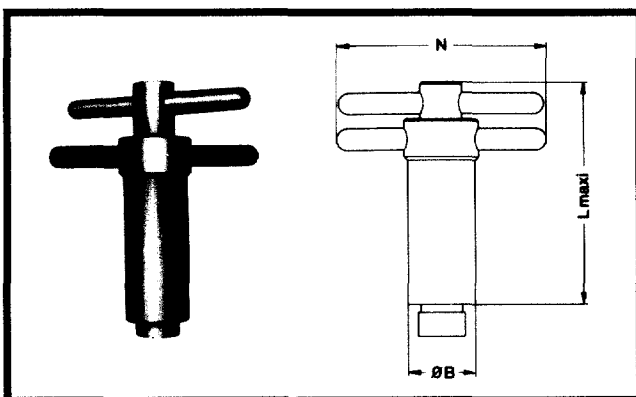
This feedthrough can be used for shielded and unshielded cable.



DCG

Wrench for Hexagonal Nuts

Part Number	Series	Dimensions (mm)			Nut Part Number
		B	L	N	
DCG.91.149.0TN	00	14	40	50	GEA.00.240.LN
DCG.91.161.1TN	0S-0B	16	45	52	GEA.0S.240.LN
DCG.91.201.4TN	1S-1B	20	52	65	GEA.1S.240.LN
DCG.91.231.7TN	2S-2B 2C-2G	23	62	68	GEA.2S.240.LN
DCG.91.282.2TN	3S-3B	28	76	73	GEA.3S.240.LN



DCA

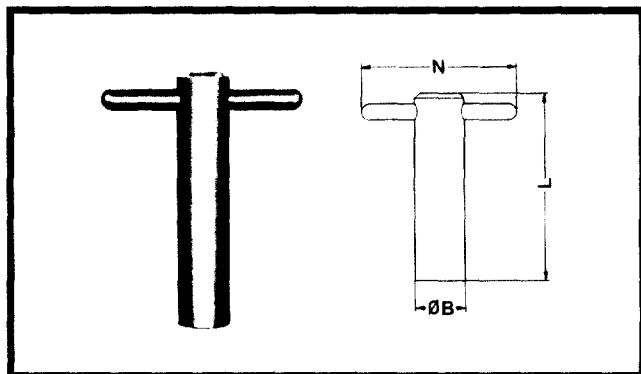
Wrench for Hexagonal Nuts, with Alignment of the Receptacles by the Flats

Part Number	Series	Dimensions (mm)			Nut Part Number
		B	L	N	
DCA.91.149.0TN	00	14	65	50	GEA.00.240.LN
DCA.91.161.1TN	0S-0B	16	73	52	GEA.0S.240.LN
DCA.91.201.4TN	1S-1B	20	85	65	GEA.1S.240.LN
DCA.91.231.7TN	2S-2B 2C-2G	23	100	68	GEA.2S.240.LN
DCA.91.282.2TN	3S-3B	28	120	70	GEA.3S.240.LN

Data subject to change.



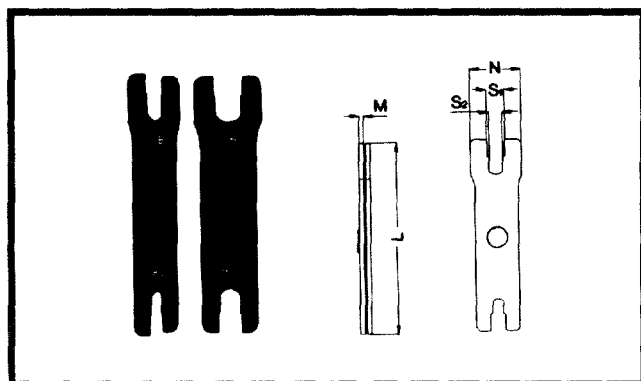
phone (800) 444-5366, (707) 578-8811 • fax (707) 578-0869 • e-mail lemous@lemo.ch • website <http://www.lemo.ch>



DCB

Spanner Type Wrench for Model 1 Round Nuts

Part Number	Series	Dimensions (mm)			Nut Part Number
		B	L	N	
DCB.91.119.0TN	00	11	40	50	GEB.00.240.LN
DCB.91.131.1TN	0S-0B	13	45	50	GEB.0S.240.LN
DCB.91.161.4TN	1S-1B	16	52	65	GEB.1S.240.LN
DCB.91.201.8TN	2S-2B	20	62	65	GEB.2S.240.LN
DCB.91.242.2TN	3S-3B	24	76	70	GEB.3S.240.LN

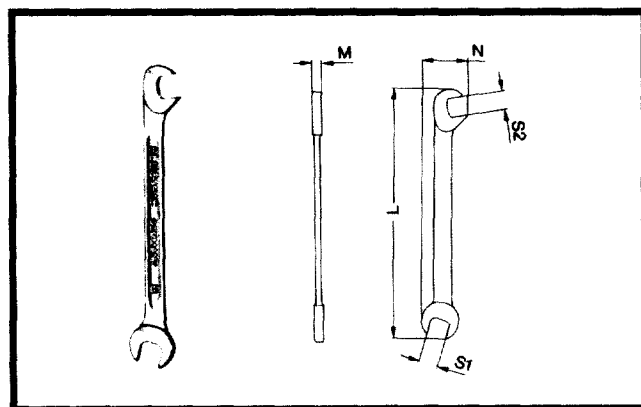


DCP

Wrench for Tightening Backnut

Part Number	Series	Dimensions (mm)				
		L	M	N	S1	S2
DCP.91.001.TN	0B	95	2.5	21	8.1	7.1
DCP.91.001.TN	1B	95	2.5	25	10.1	9.1
DCP.91.023.TN	2B	115	3.0	30	13.1	12.1
DCP.91.023.TN	3B	115	3.0	35	15.1	14.1
DCP.91.045.TN	4B	130	3.5	40	21.2	20.2
DCP.91.045.TN	5B	130	3.5	45	31.2	30.2

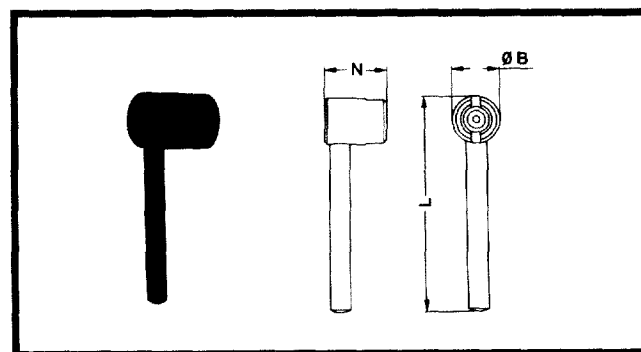
Material: steel blackened



DCP

Wrench for Backnuts

Part Number	Series	Dimensions (mm)				
		L	M	N	S1	S2
DCP.99.055.TC	00	68	2.4	10.5	5	5

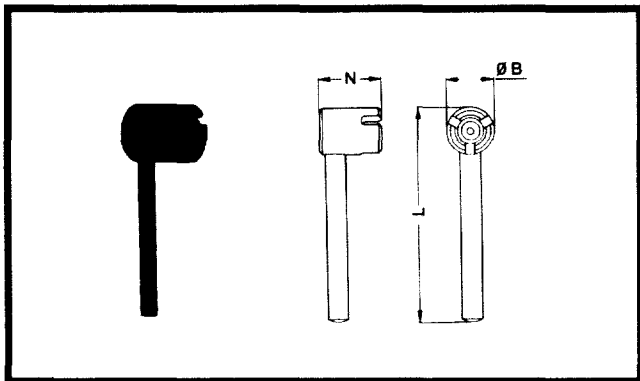


DCL

Wrench which Secures Straight Plug with 2 Latching Tabs while Tightening Collet Nut

Part Number	Series	Dimensions (mm)		
		B	L	N
DCL.91.127.0TK	0S	12	47	17
DCL.91.149.0TK	1S	14	52	19

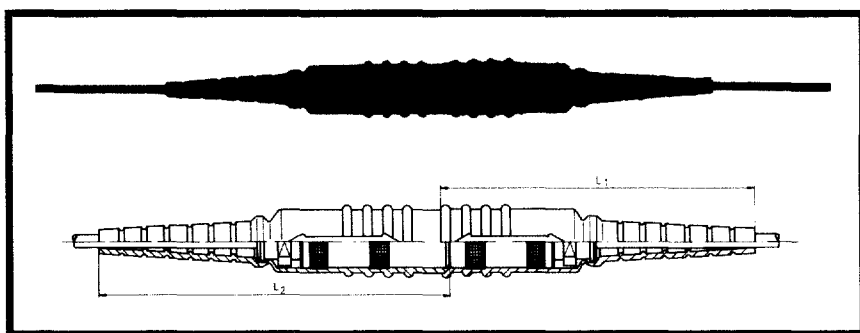
Accessories continued



DCN

Wrench which Secures Straight Plug with 3 Latching Tabs while Tightening Collet Nut

Part Number	Series	Dimensions (mm)		
		B	L	N
DCN.91.905.0TK	00	9	42.0	12
DCN.91.125.0TK	0S	12	42.0	17
DCN.91.171.2TK	2S	17	62.5	20
DCN.91.201.5TK	3S	20	73.5	22



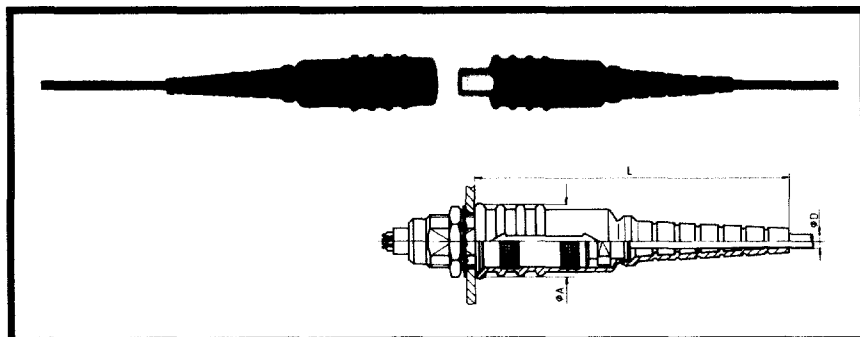
KNF / KNP

Protective Covering

The protective coverings type KNF..... for straight cable plugs and type KNP..... for cable receptacles. These coverings work with both B and S series connectors.

KNF..... protective coverings also work with panel mount models.

- * Material: Rubber
- Color: Black



Part Number	Series	Dimensions (mm)				
		A	L1	L2	D max.	D min.
KNF.0S.0B.218	0S, 0B	14.7	60.5	69.5	3.5	1.0
KNP.0S.0B.218						
KNF.1S.1B.218	1S, 1B	16	72	79	6.2	2.5
KNP.1S.1B.218						
KNF.2S.2B.218	2S, 2B	22	95	102.5	8.2	5.0
KNP.2S.2B.218						

*Note: Connectors to be fitted must have a strain relief collet nut.