

## Silicon PNP Power Transistors

## 2N5613 2N5615 2N5617 2N5619

**DESCRIPTION**

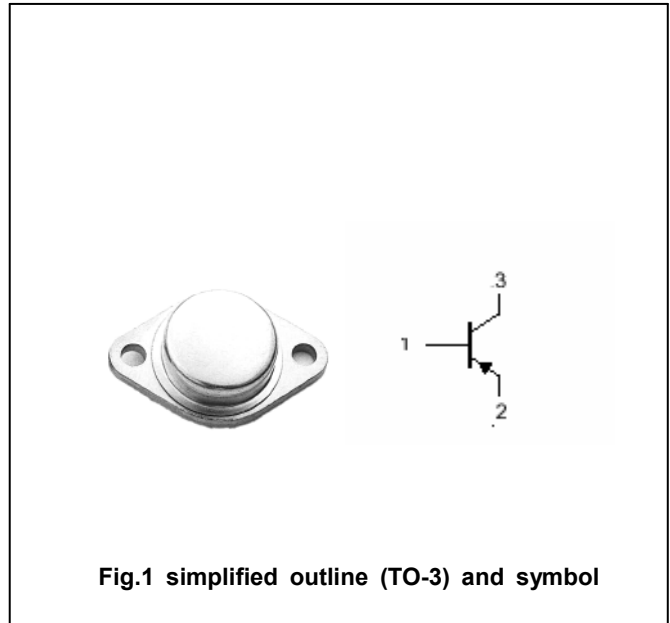
- With TO-3 package
- Excellent safe operating area
- Low collector saturation voltage

**APPLICATIONS**

- For general-purpose amplifier ;  
and switching applications

**PINNING(see Fig.2)**

PIN	DESCRIPTION
1	Base
2	Emitter
3	Collector

**Absolute maximum ratings(Ta=□)**

SYMBOL	PARAMETER	CONDITIONS	VALUE	UNIT
V <sub>CBO</sub>	Collector-base voltage	2N5613	-80	V
		2N5615/5617	-100	
		2N5619	-120	
V <sub>CEO</sub>	Collector-emitter voltage	2N5613	-60	V
		2N5615/5617	-80	
		2N5619	-100	
V <sub>EBO</sub>	Emitter-base voltage	Open collector	-5	V
I <sub>C</sub>	Collector current		-5	A
P <sub>D</sub>	Total power dissipation	T <sub>C</sub> =25□	50	W
T <sub>j</sub>	Junction temperature		150	□
T <sub>stg</sub>	Storage temperature		-65~150	□

**THERMAL CHARACTERISTICS**

SYMBOL	PARAMETER	VALUE	UNIT
R <sub>th j-c</sub>	Thermal resistance junction to case	1.5	□/W

## Silicon PNP Power Transistors

## 2N5613 2N5615 2N5617 2N5619

## CHARACTERISTICS

T<sub>j</sub>=25°C unless otherwise specified

SYMBOL	PARAMETER		CONDITIONS	MIN	TYP.	MAX	UNIT
V <sub>CEO(SUS)</sub>	Collector-emitter sustaining voltage	2N5613	I <sub>C</sub> =-50mA ; I <sub>B</sub> =0	-60			V
		2N5615/5617		-80			
		2N5619		-100			
V <sub>CEsat</sub>	Collector-emitter saturation voltage		I <sub>C</sub> =-1A; I <sub>B</sub> =-0.1A			-0.5	V
V <sub>BE</sub>	Base-emitter on voltage		I <sub>C</sub> =-2.5A ; V <sub>CE</sub> =-5V			-1.5	V
I <sub>CBO</sub>	Collector cut-off current		V <sub>CB</sub> =Rated V <sub>CBO</sub> ; I <sub>E</sub> =0			-0.1	mA
I <sub>CEO</sub>	Collector cut-off current		V <sub>CE</sub> = Rated V <sub>CEO</sub> , I <sub>B</sub> =0			-1.0	mA
I <sub>EBO</sub>	Emitter cut-off current		V <sub>EB</sub> =-5V; I <sub>C</sub> =0			-0.1	mA
h <sub>FE</sub>	DC current gain	2N5613/5617	I <sub>C</sub> =-2.5A ; V <sub>CE</sub> =-5V	70		200	
		2N5615/5619		30		90	
f <sub>T</sub>	Transition frequency	2N5613/5617	I <sub>C</sub> =-0.5A ; V <sub>CE</sub> =-10V	70			MHz
		2N5615/5619		60			

PACKAGE OUTLINE

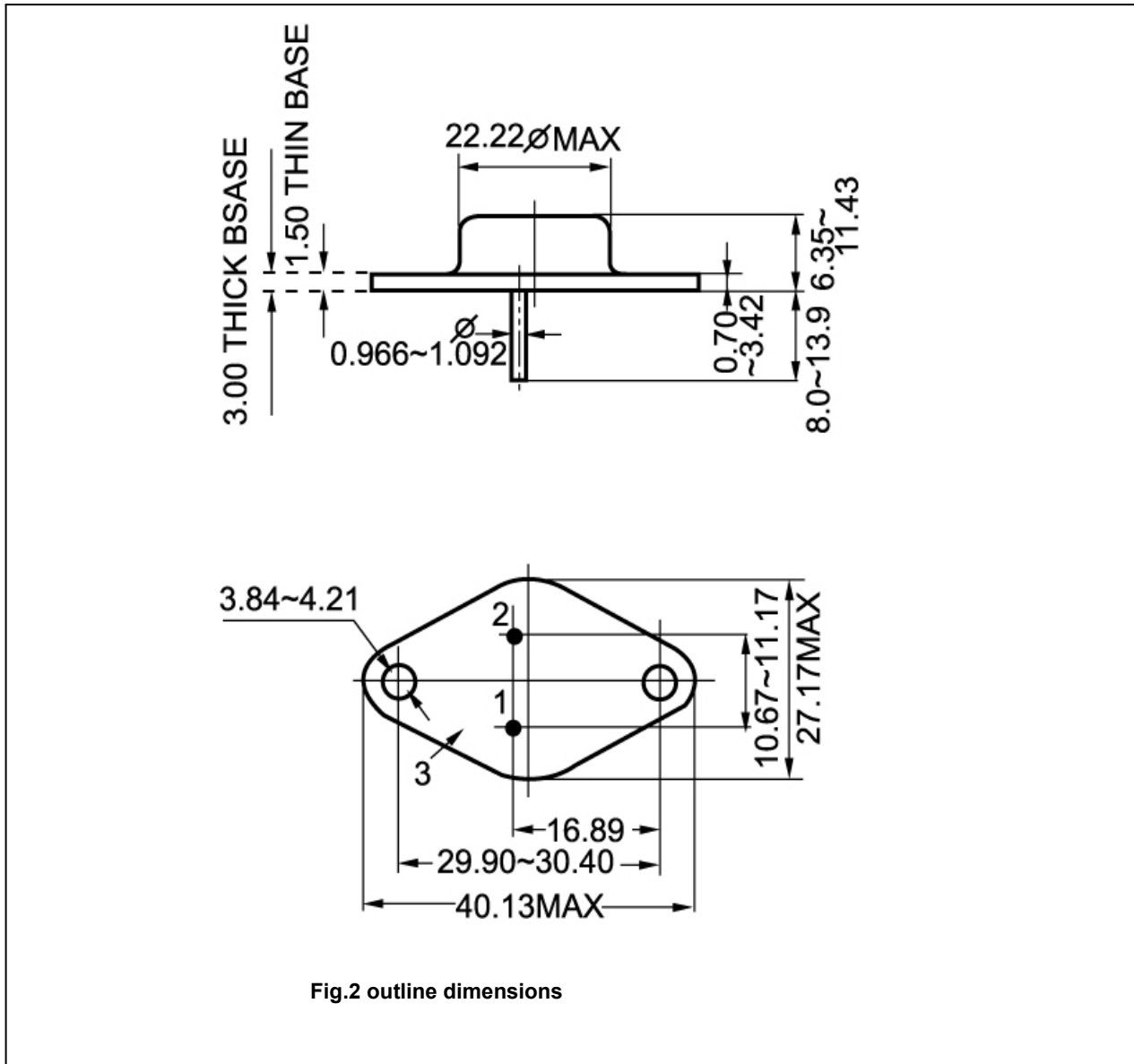


Fig.2 outline dimensions