

TECHNICAL DATA

'' D '' SUBMINIATURE CONNECTORS

SHELL : Steel .
finish : Tinned

BODY : Glass filled thermoplastic .
Flame retardant to UL 94 V-0 .
Colour : black .

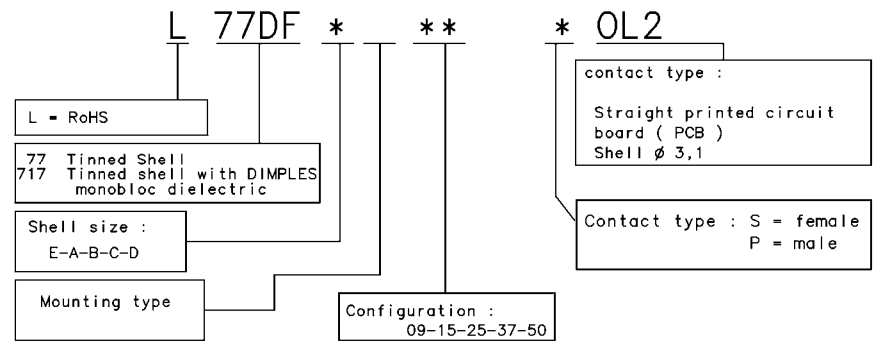
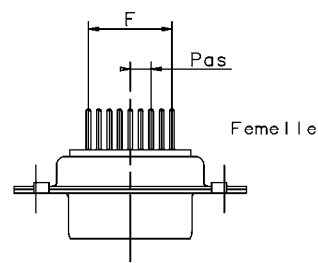
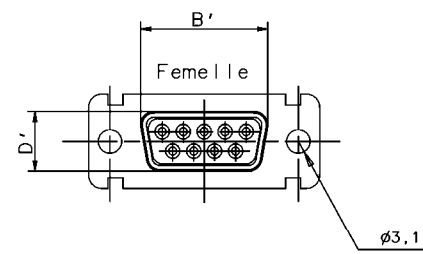
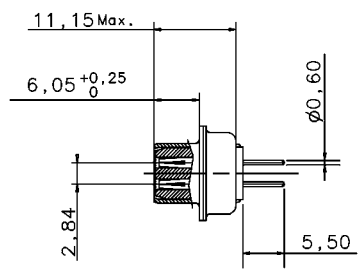
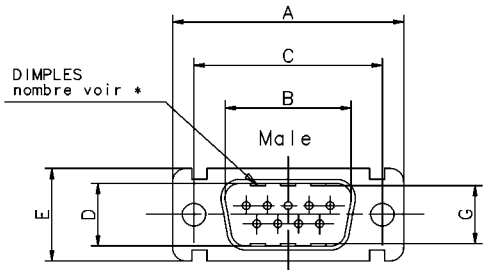
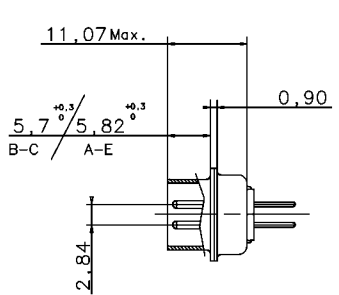
CONTACTS :Material for sockets : bronze
Material for pins brass
Finish of contact mating area :
Gold over Nickel

ELECTRICAL Voltage rating 300 V Rms to 50Hz .
Nominal current 7,5 A (size20)
Voltage proof >1000 V Rms to 50 Hz
Contact resistance <5m Ohms .
Insulator resistance >5000 M Ohms .

CLIMATIC Temperature range -55°C 125°C
Damp heat 56 days (40°C - 95 % RH)

MECHANICAL Insertion force per contact 1,2N < F <2,5 N
Extraction force per contact 0,4 N mini
Mating and unmating force size E 30N maxi 3.5N mini
A 50N maxi 4.5N mini
B 83N maxi 8.0N mini
C 123N maxi 11N mini
D 166N max 14.5N mini
(With or without dimples)

MARKING Amphenol -(serial number)
Commercial reference
Manufacturing date



Taille boîtier	A	B'	B	C	D'	D	E	F ±0,05	Pas	G	*
E	11,07	11,15	11,07	11,07	11,07	11,07	11,07	11,07	2,76	7,62	2x3
A	19,20	19,20	19,20	19,20	19,20	19,20	19,20	19,20	2,76	7,62	2x5
B	33,12	33,12	33,12	33,12	33,12	33,12	33,12	33,12	2,76	7,62	2x8
C	49,68	49,68	49,68	49,68	49,68	49,68	49,68	49,68	2,76	7,62	2x12
D	60,99	60,99	60,99	60,99	60,99	60,99	60,99	60,99	2,76	10,5	2x12

Amphenol Socapex
Usine de Dole

ECHELLE: 1:5

PLAN NOTICE

IND. MODIFICATION DATE Execut/Approv

N SERIE DESIGNATION

017F L ** 7DF * ** * OL2

DOSSIER: NOTICE-17F

DATE DU TIRAGE N CLIENT N OUTIL N ETUDE