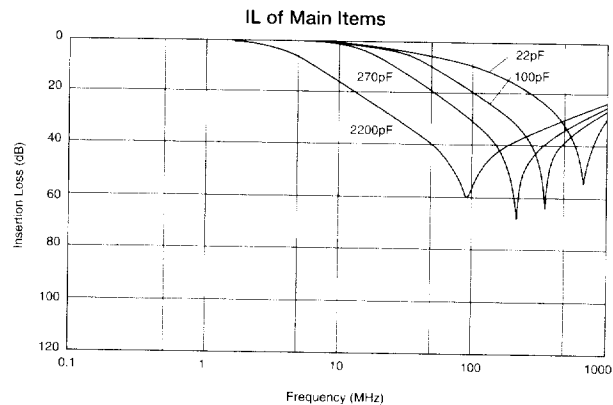
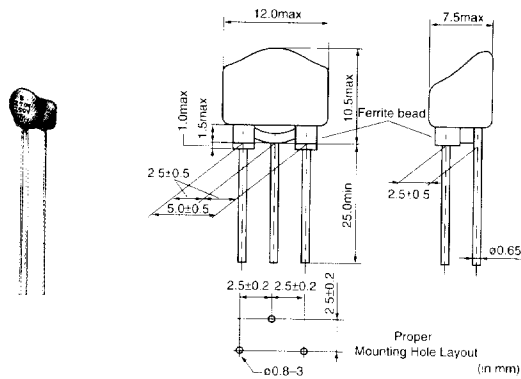


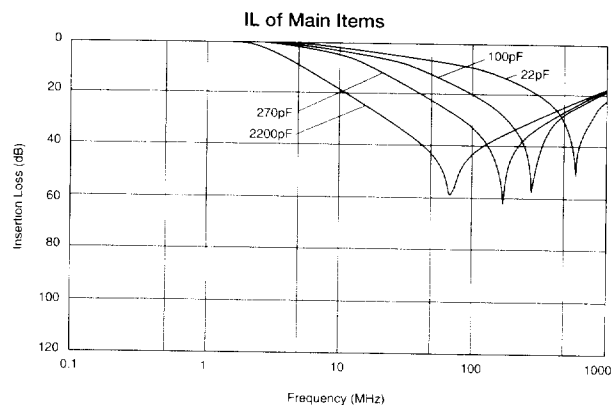
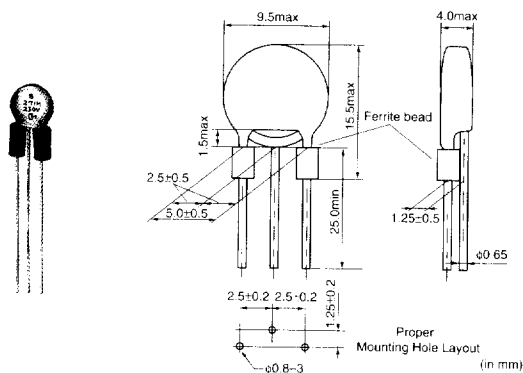
## ● Built-in Ferrite Beads DSS9H Series



4

Part Number	Capacitance (pF)	Rated Voltage (Vdc)	Rated Current (A)	Operating Temperature Range (°C)
DSS9HB32E220Q55	22 +20%, -20%	250	6	-40 to 105
DSS9HB32E101Q55	100 +20%, -20%	250	6	-40 to 105
DSS9HB32E271Q55	270 +20%, -20%	250	6	-40 to 105
DSS9HB32E222Q55	2200 +20%, -20%	250	6	-40 to 105

## ● With Ferrite Beads DST9H Series



Part Number	Capacitance (pF)	Rated Voltage (Vdc)	Rated Current (A)	Operating Temperature Range (°C)
DST9HB32E220Q55	22 +20%, -20%	250	6	-40 to 105
DST9HB32E101Q55	100 +20%, -20%	250	6	-40 to 105
DST9HB32E271Q55	270 +20%, -20%	250	6	-40 to 105
DST9HB32E222Q55	2200 +20%, -20%	250	6	-40 to 105