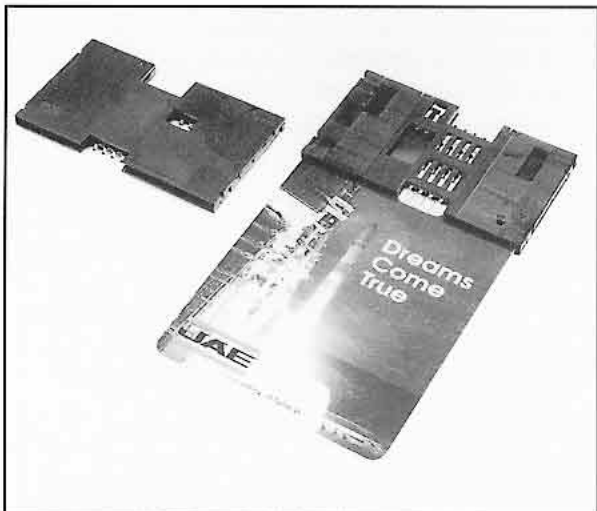


SF3 SERIES CONNECTORS

High Density SMT Smart Card Connectors



FEATURES

- 8 pins, plus 2 card switch detection pins
- Slide to contact IC card
- High density SMT packaging
- 3.3mm (.130") installed connector height

.....

SF3 Series socket connectors are designed for ISO 7816 specified IC cards. They are ideal for use in various terminal devices such as network computers, set-top boxes, PCs keyboards and portable telecommunications terminals.

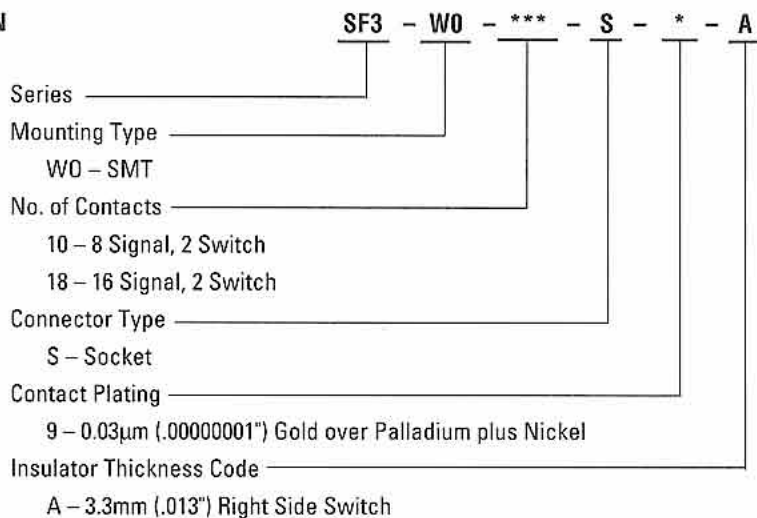
GENERAL SPECIFICATIONS

| | |
|---------------------------------|--|
| Number of Contacts | 8 signal contacts, plus 2 switch contacts |
| Contact Spacing | 2.54mm (.100") |
| Current Rating | 1 Amp |
| Dielectric Withstanding Voltage | 250 VAC r.m.s. (for one minute) |
| Insulation Resistance | 1000 megohms min. |
| Contact Resistance | 100 milliohms max. |
| Operating Temperature | -40°C to +90°C |

MATERIALS AND FINISHES

| Description | Materials/Finishes |
|----------------|--|
| Insulator | Glass-filled PPS (UL94V-0, Black) |
| Signal Contact | Copper Alloy Connecting area: Gold over Palladium Nickel SMT area: Tin-Lead |
| Switch Contact | Copper Alloy Connecting area: Gold over Palladium Nickel SMT area: Tin over Nickel Plating |

ORDERING INFORMATION



Dimensions and specifications subject to change without notice.